



PARTS CATALOG

Published

2011/8 (Aug.)

0CNP3-G50900

Directions for the Parts Catalog.

1. The parts stipulated in this Parts Catalog are not necessarily standard equipped parts.
2. Parts may change without prior notice.
3. The following is an example of the Parts Catalog format.

OCF10-G21601 29. FUEL INJECTION PUMP(W/BOOST)

REF.	LEV.	PARTS NO.	DESCRIPTION	Q'TY						I	R
				(A)	(B)	(C)	(D)	(E)	(F)		
1	1	729595-51390	FUEL INJECTION PUMP	1	1	1	1	1			1
1-1	1	729595-51391	FUEL INJECTION PUMP	1	1	1	1	1		N	1
		(A=E00185) (B=E00200)									
3	2	26022-060162	SCREW M 6X 16	9	9	9	9	9			
3-1	2	26022-060162	SCREW M 6X 16	4	4	4	4	4		K	
		(A=E00156) (B=E00156) (C=E00156) (D=E00156) (E=E00156)									
4	2	129470-51040	CAMSHAFT	1	1	1	1	1			
5	2	122710-51050	BEARING, ROLLER	2	2	2	2	2			
6	2	129470-51060	RETAINER	1	1	1	1	1			

Remarks

(1) BOOST COMPEMSATOR TYPE. OPTIONAL PART, TO E00155,(4JH-DT, 4JH-DTZ)

① Ref. No.

The Ref. No. listed may not be in accordance with the illustration Ref. No.

(Ex.) Illustration No.

List Ref No.

1

1

(Before change)

1-1

(After change)

For interchangeable symbols N, R and K, illustrations for new parts may be abbreviated.

② Lev. (Level)

Level indication

The numbers below indicate the level of relativity towards the main part.

1 ----- Main parts (Assembly parts)

2 ----- Sub component included in " 1 ".

3 ----- Sub component included in " 2 ".

Note) Parts that are not for sale are partially illustrated but not listed.

③ Interchangeability Mark

When a part change takes place, one of the following interchangeability symbols is indicated beside the part.

Symbol	Interchangeability	Contents note
N	Old $\begin{matrix} \leftarrow \text{Yes} \\ \text{No} \rightarrow \end{matrix}$ New	New Part is interchangeable for Old Part but Old Part is not interchangeable for New Part.
Q	Old $\begin{matrix} \leftarrow \text{No} \\ \text{Yes} \rightarrow \end{matrix}$ New	New Part is not interchangeable for Old Part but Old Part is interchangeable for New Part.
R	Old $\begin{matrix} \leftarrow \text{Yes} \\ \text{Yes} \rightarrow \end{matrix}$ New	New/ Old Parts are both interchangeable.
S	Old $\begin{matrix} \leftarrow \text{No} \\ \text{No} \rightarrow \end{matrix}$ New	New/ Old Parts are both not interchangeable.
W		Part newly added.
Z		Part discontinued.
F		Not interchangeable by a single part but interchangeable together with related parts.
K		Changes only for used parts quantities.

④ Effective Machine No.

When a part changes, the effective Machine No. will be indicated in the (A)-(F) column.

Product Symbol	Product No.	Product Symbol	Product No.
C	Clutch No. Compressor No.	F	Machine No. (Agricultural Equip.)
D	Drive No.	M	Machine No.
E	Engine No.		

Note 1) A date may follow the symbol. (Ex.) 1996.01

Note 2) "XXXXX" and "ZZZZZ" are for parts that could not be predicted or for engine models that could not be identified.

Note 3) (A=E00185) is the E (Engine Serial Number) for the column (A) model (in this case 4JH-DT) after the parts design change.

⑤ Remarks Mark

Figures or alphabets (symbols) are entered in the remarks column.

The comments (remarks) on parts that are indicated at the bottom of the illustration are the same symbols as those stated above.

CONTENTS

MODEL : YSR9H.10H(
PC NO : 0CNP3-G50900

Fig.No.	GROUP NAME
	ENGINE SECTION(GA240E,280E)
1.	CYLINDER BLOCK
2.	CYLINDER HEAD & BONNET
3.	AIR CLEANER & MUFFLER
4.	CRANKSHAFT,PISTON & CAMSHAFT
5.	FUEL TANK & FUEL LINE
6.	CARBURETOR
7.	CARBURETOR
8.	GOVERNOR & CONTROL DEVICE
9.	STARTING MOTOR
10.	FLY. MAGNET & STARTING DEVICE
11.	FLY. MAGNET & STARTING DEVICE
12.	TOOLS & LABELS
	ENGINE RELATED SECTION
13.	ENGINE RELATED
	DRIVE TRAVEL SECTION
14.	TRAVEL TENSION
15.	SNOW REMOVING TENSION
16.	TENSION FULCRUM
17.	ENGINE PULLEY & BELT
	CONTROL SECTION
18.	HANDLE
19.	CONTROL PANEL
20.	TRAVEL DEADMAN
21.	TRAVEL CLUCH
22.	SNOW REMOVING DEADMAN & CLUTCH
23.	CHANGE LEVER

Fig.No.	GROUP NAME
24.	CHANGE ROD
25.	BRAKE
26.	CLUTCH CONTROL
27.	BYPASS LEVER
28.	CHUTE LEVER
29.	CHUTE HANDLE
30.	LIFTING LEVER
31.	LIFTING CAM
	CHASSIS,COVER & CRAWLER SECTION
32.	CHASSIS
33.	IDLER SHAFT
34.	COVER
35.	CRAWLER
	ELECTRICAL PARTS SECTION
36.	BATTERY
37.	HARNESS & SWITCH
38.	LAMP
	SNOW REMOVING SECTION
39.	SNOW REMOVING FRAME
40.	AUGER COVER
41.	CHUTE
42.	GEAR CASE
43.	AUGER & BLOWER
	LABELS & ACCESSORIES SECTION
44.	LABELS
45.	LABELS(SAFETY)

CONTENTS

MODEL : YSR9H.10H(
PC NO : 0CNP3-G50900

Fig.No. GROUP NAME

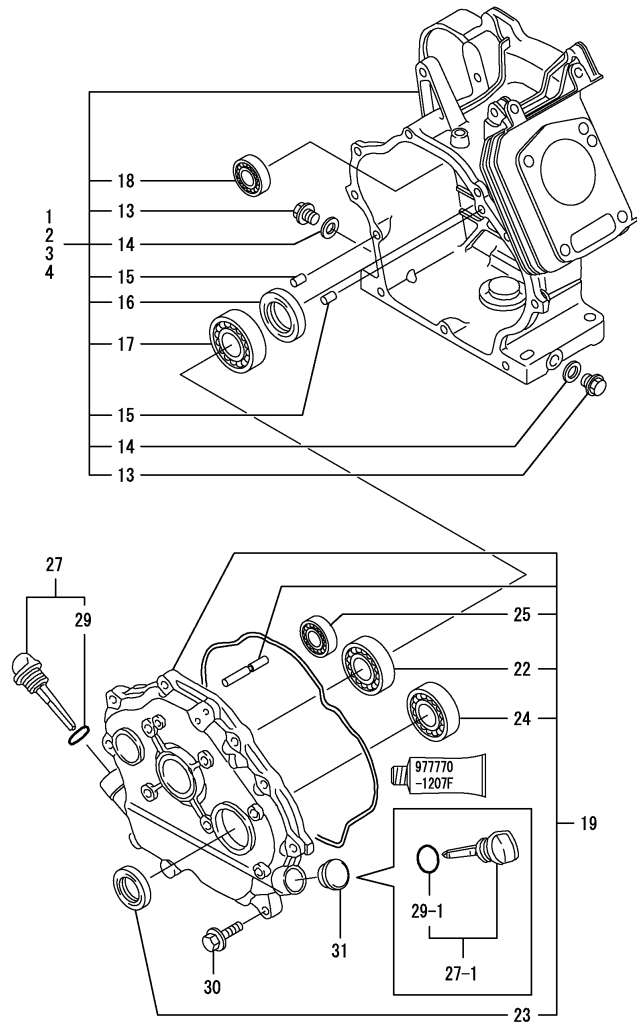
46. TOOLS & ACCESSORIES

TRANSMISSION SECTION

47. TRANSMISSION

Fig.No. GROUP NAME

Fig.1. CYLINDER BLOCK



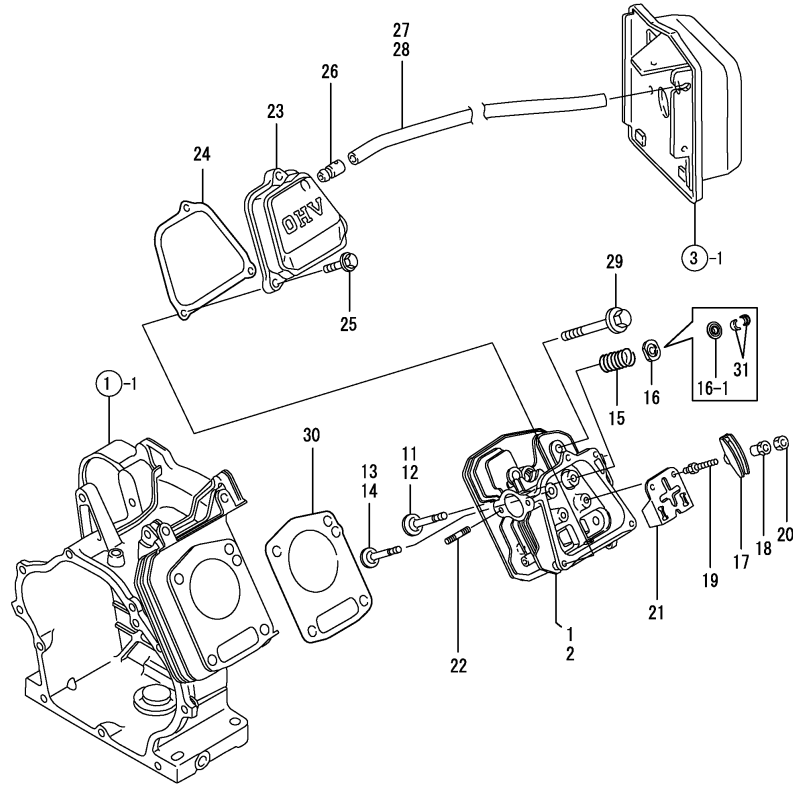
OCNP3-G50900 1. CYLINDER BLOCK

(A)=GA240E-SJ (D)=GA280E-SEJ1
 (B)=GA240E-SEJ (E)=
 (C)=GA280E-SJ1 (F)=

REF.	LEV.	PARTS NO.	DESCRIPTION	Q'TY						I	R
				(A)	(B)	(C)	(D)	(E)	(F)		
1	1	760798-01580	BLOCK ASSY, CYLINDER	1							
I 2	1	760798-01561	BLOCK ASSY,CYLINDER		1						
3	1	760890-01560	BLOCK ASSY, CYLINDER			1					
I 3-1	1	760890-01561	BLOCK ASSY, CYLINDER (C=E53266)				1				R
4	1	760891-01560	BLOCK ASSY, CYLINDER						1		
I 4-1	1	760891-01561	BLOCK ASSY, CYLINDER (D=E74900)						1		N
13	2	160610-01690	PLUG, DRAIN	2	2	2	2				
14	2	104200-59170	GASKET 12	2	2	2	2				
15	2	114270-01600	PARALLEL PIN 8X12	2	2	2	2				
16	2	160110-02220	SEAL, OIL	1	1	1	1				
17	2	24101-062060	BALL BEARING	1	1	1	1				
I 17-1	2	129900-26250	BALL BEARING (A=E55064) (B=E55066) (C=*2001.07) (D=E70332)	1	1	1	1				N
18	2	160903-28020	BALL BEARING	1	1	1	1				
I 19	1	760792-01503	COVER, CRANKCASE	1	1	1	1				
I 19-1	1	760792-01504	COVER, CRANKCASE (A=E55064) (B=E55066) (C=E55066) (D=E55066)	1	1	1	1				R
22	2	24101-062060	BALL BEARING	1	1	1	1				
I 22-1	2	129900-26250	BALL BEARING (A=E55064) (B=E55066) (C=*2001.07) (D=E70332)	1	1	1	1				N
23	2	160110-02220	SEAL, OIL	1	1	1	1				
24	2	24101-062060	BALL BEARING	1	1	1	1				
I 24-1	2	129900-26250	BALL BEARING (A=E55064) (B=E55066) (C=*2001.07) (D=E70332)	1	1	1	1				N
25	2	160903-28020	BALL BEARING	1	1	1	1				
27	1	160810-01740	CAP, W/LUB.OIL GAUGE	1	1	1	1				
I 27-1	1	160810-01740	CAP, W/LUB.OIL GAUGE (A=E55064) (B=E55066) (C=E55066) (D=E55066)	2	2	2	2				K
29	2	24311-000180	O-RING 1A P-18.0	1	1	1	1				
I 29-1	2	24311-000180	O-RING 1A P-18.0 (A=E55064) (B=E55066) (C=E55066) (D=E55066)	2	2	2	2				K
30	1	26106-080302	BOLT M 8X 30 PLATED	9	9	9	9				
I 31	1	160110-01870	PLUG, RUBBER W/SCREW (A=E55064) (B=E55066) (C=E55066) (D=E55066)	1	1	1	1				Z

Remarks
 (REMARKS)"EFFECTIVE MACHINE NO." OF
 ENGINE IS INDICATED ON THE
 ENGINE LABEL WHICH IS SHOWN
 IN FIG.10,11.

Fig.2. CYLINDER HEAD & BONNET



0CNP3-G50900 2. CYLINDER HEAD & BONNET

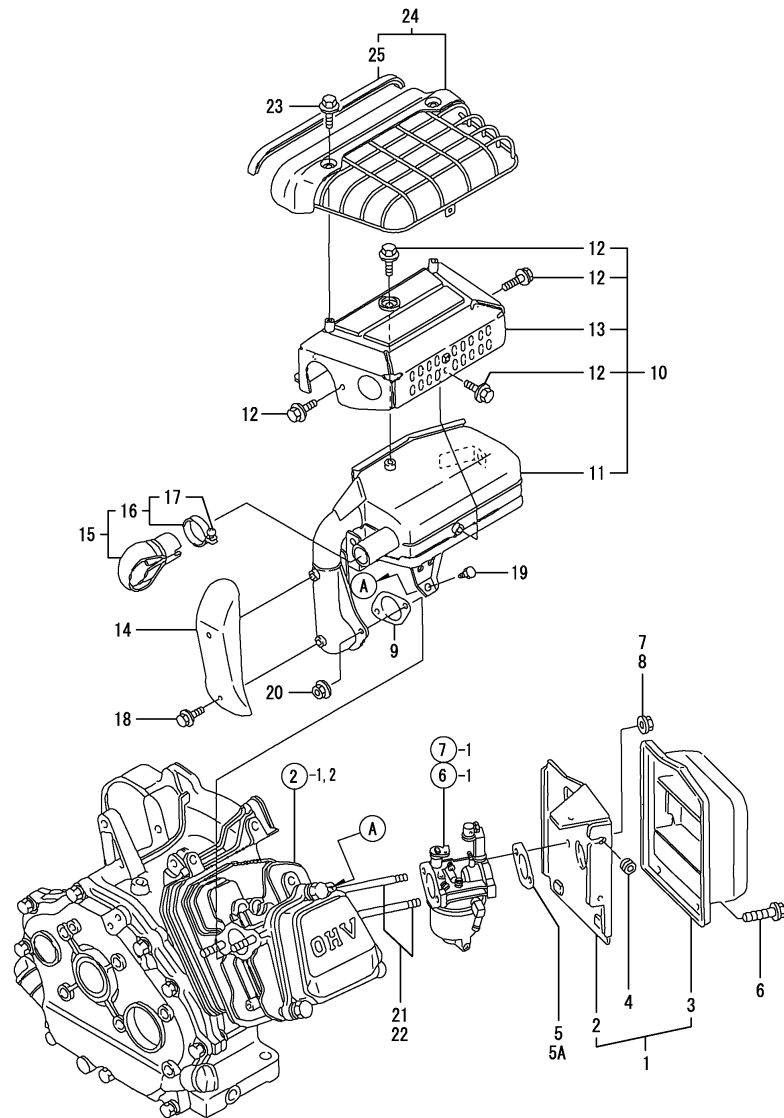
(A)=GA240E-SJ
(B)=GA240E-SEJ
(C)=GA280E-SJ1

(D)=GA280E-SEJ1
(E)=
(F)=

REF.	LEV.	PARTS NO.	DESCRIPTION	Q'TY						I	R
				(A)	(B)	(C)	(D)	(E)	(F)		
1	1	160790-11011	HEAD ASSY, CYLINDER	1	1						
2	1	160890-11011	HEAD ASSY, CYLINDER			1	1				
11	1	160790-11100	VALVE, INTAKE	1	1						
I 11-1	1	160790-11101 (A=E54469) (B=E54520)	VALVE, SUCTION	1	1						N
12	1	160890-11100	VALVE, INTAKE			1	1				
I 12-1	1	160890-11101 (C=*2001.03) (D=E69389)	VALVE, SUCTION			1	1				N
13	1	160790-11110	VALVE, EXHAUST	1	1						
I 13-1	1	160790-11111 (A=E54469) (B=E54520)	VALVE, EXHAUST	1	1						N
14	1	160890-11110	VALVE, EXHAUST			1	1				
I 14-1	1	160890-11111 (C=*2001.03) (D=E69389)	VALVE, EXHAUST			1	1				N
15	1	160890-11120	SPRING, VALVE	2	2	2	2				
16	1	160890-11180	RETAINER, SPRING	2	2	2	2				
I 16-1	1	160890-11190 (A=E54469) (B=E54520) (C=*2001.03) (D=E69389)	RETAINER, VALVE SP.	2	2	2	2				N
17	1	160890-11202	ARM, ROCKER	2	2	2	2				
18	1	160690-11221	PIVOT,ROCKER ARM	2	2	2	2				
19	1	160890-11270	BOLT,ROCKER ARM	2	2	2	2				
20	1	160690-11280	NUT M6X 0.5	2	2	2	2				
21	1	160890-11290	PLATE, GUIDE	1	1	1	1				
22	1	26216-080182	STUD M 8X 18 PLATED	2	2	2	2				
I 22-1	1	160890-04330 (A=E54469) (B=E54520) (C=*2001.03) (D=E69389)	BOLT M 8X 18	2	2	2	2				R
23	1	160890-11300	BONNET	1	1	1	1				
24	1	160890-11310	GASKET, BONNET	1	1	1	1				
I 24-1	1	160890-11311 (A=E54469) (B=E54520) (C=*2001.03) (D=E69389)	GASKET, BONNET	1	1	1	1				R
25	1	26106-060352	BOLT M 6X 35 PLATED	3	3	3	3				
26	1	160610-03050	BREATHER ASSY	1	1	1	1				
27	1	160991-03180	PIPE, BREATHER	1	1						
28	1	160810-03200	PIPE, BREATHER			1	1				
29	1	160890-01210	BOLT 10X 70	4	4	4	4				
30	1	160890-01330	GASKET, CYL. HEAD	1	1	1	1				
I 31	1	720380-11570 (A=E54469) (B=E54520) (D=E69389)	COTTER	2	2	2					W

Remarks
(REMARKS)"EFFECTIVE MACHINE NO." OF
ENGINE IS INDICATED ON THE
ENGINE LABEL WHICH IS SHOWN
IN FIG.10,11.

Fig.3. AIR CLEANER & MUFFLER



Remarks
 (REMARKS)"EFFECTIVE MACHINE NO." OF
 ENGINE IS INDICATED ON THE
 ENGINE LABEL WHICH IS SHOWN
 IN FIG.10,11.

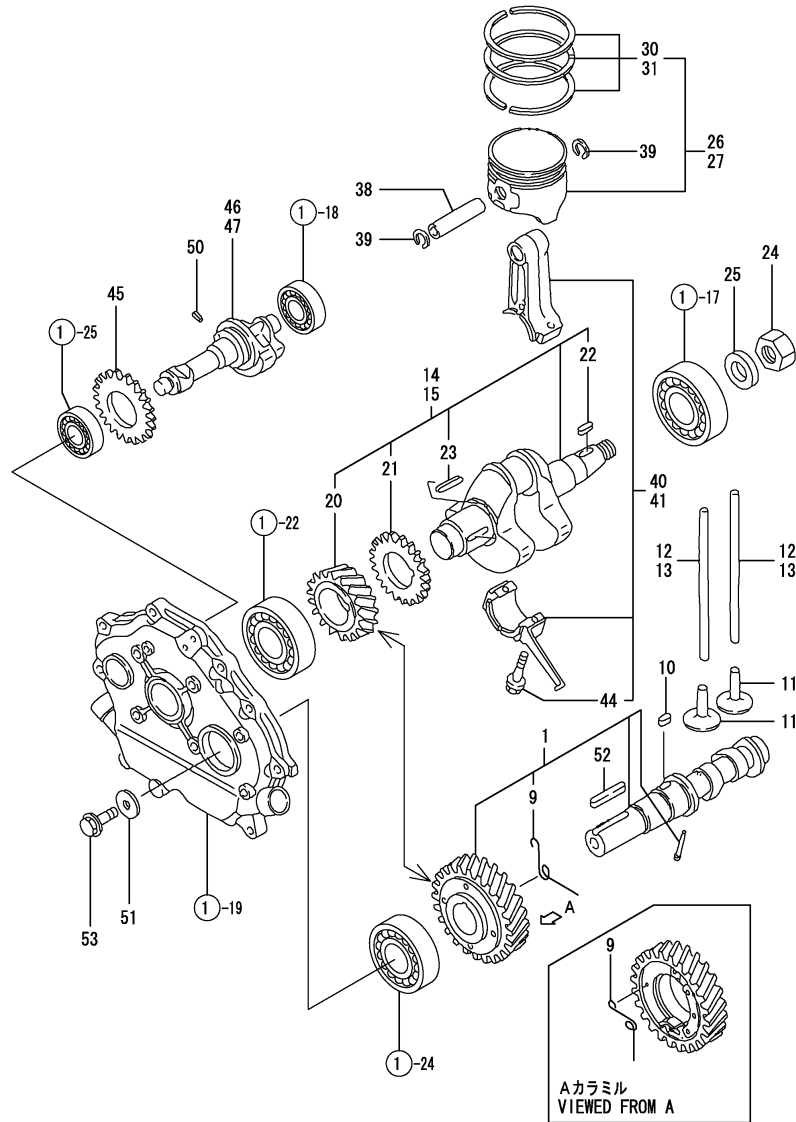
OCNP3-G50900 3. AIR CLEANER & MUFFLER

(A)=GA240E-SJ
 (B)=GA240E-SEJ
 (C)=GA280E-SJ1

(D)=GA280E-SEJ1
 (E)=
 (F)=

REF.	LEV.	PARTS NO.	DESCRIPTION	QTY						I	R
				(A)	(B)	(C)	(D)	(E)	(F)		
1	1	160891-12500	CLEANER, AIR	1	1	1	1				
2	2	160891-12520	BODY, AIR CLEANER	1	1	1	1				
3	2	160891-12530	AIR CLEANER COVER	1	1	1	1				
4	1	160763-12600	GROMMET, AIR CLEANER	1	1	1	1				
I	5	160910-56150	GASKET, CARBURETOR			1	1				
I	5-1	160910-56151	GASKET, CARBURETOR			1	1				R
			(C=E53266) (D=E55743)								
I	5A	160810-56150	GASKET, CARBURETOR	1	1						W
			(A=FROM 1ST.) (B=FROM 1ST.)								
I	5A-1	160810-56151	GASKET, CARBURETOR	1	1						N
			(A=E48813) (B=E48778)								
6	1	26106-060082	BOLT M 6X 8 PLATED	3	3	3	3				
7	1	26366-060002	NUT M 6	2	2						
8	1	26366-080002	NUT M 8			2	2				
9	1	160890-13210	GASKET, MUFFLER	1	1	1	1				
10	1	160891-13610	MUFFLER W/COVER	1	1	1	1				
I	10-1	160891-13611	MUFFLER W/COVER	1	1	1	1				N
			(A=E54469) (B=E54520) (C=*2001.01) (D=E69389)								
I	10-2	160891-13612	MUFFLER ASSY	1	1	1	1				N
			(A=*2009.04) (B=*2009.04) (C=*2009.04) (D=*2009.04)								
11	2	160890-13501	MUFFLER	1	1	1	1				
I	11-1	160890-13580	MUFFLER	1	1	1	1				N
			(A=E54469) (B=E54520) (C=*2001.01) (D=E69389)								
I	11-2	160890-13581	MUFFLER	1	1	1	1				N
			(A=*2009.04) (B=*2009.04) (C=*2009.04) (D=*2009.04)								
12	2	26106-060082	BOLT M 6X 8 PLATED	4	4	4	4				
I	12-1	114252-13950	BOLT M 6X 8 PLATED	4	4	4	4				S
			(A=E54469) (B=E54520) (C=*2001.01) (D=E69389)								
13	2	160891-13540	COVER, MUFFLER	1	1	1	1				
14	1	160890-13660	COVER, ELBOW	1	1	1	1				
15	1	114252-13800	PIPE ASSY, EXTERNAL	1	1	1	1				
16	2	114252-13910	CLAMP	1	1	1	1				
17	3	114252-13960	SCREW 6X 25	1	1	1	1				
18	1	114252-13950	BOLT M 6X 8 PLATED	2	2	2	2				
19	1	160890-13910	BOLT M 6X 20	1	1	1	1				
20	1	26366-080002	NUT M 8	2	2	2	2				
21	1	160790-04600	BOLT M 6X 75	2	2						
22	1	26226-080802	STUD M 8X 80			2	2				
I	22-1	160890-04320	BOLT M 8X 85			2	2				R
			(C=E53266) (D=E55743)								
23	1	183210-08850	SCREW M6X 10	3	3	3	3				
I	23-1	114252-13950	BOLT M 6X 8 PLATED	3	3	3	3				R
			(A=E46541) (B=E46574) (C=E49359) (D=E48941)								
24	1	160890-13710	COVER, MUFFLER	1	1	1	1				
25	2	160890-13920	SEAL RUBBER	1	1	1	1				
I	25-1	160890-13921	RUBBER, SEAL	1	1	1	1				N
			(A=E46541) (B=E46574) (C=E49359) (D=E48941)								
I	25-2	160890-13922	RUBBER, SEAL	1	1	1	1				N
			(A=E56982) (B=E56972) (C=*2002.02) (D=E74900)								

Fig.4. CRANKSHAFT,PISTON & CAMSHAFT



0CNP3-G50900 4. CRANKSHAFT,PISTON & CAMSHAFT

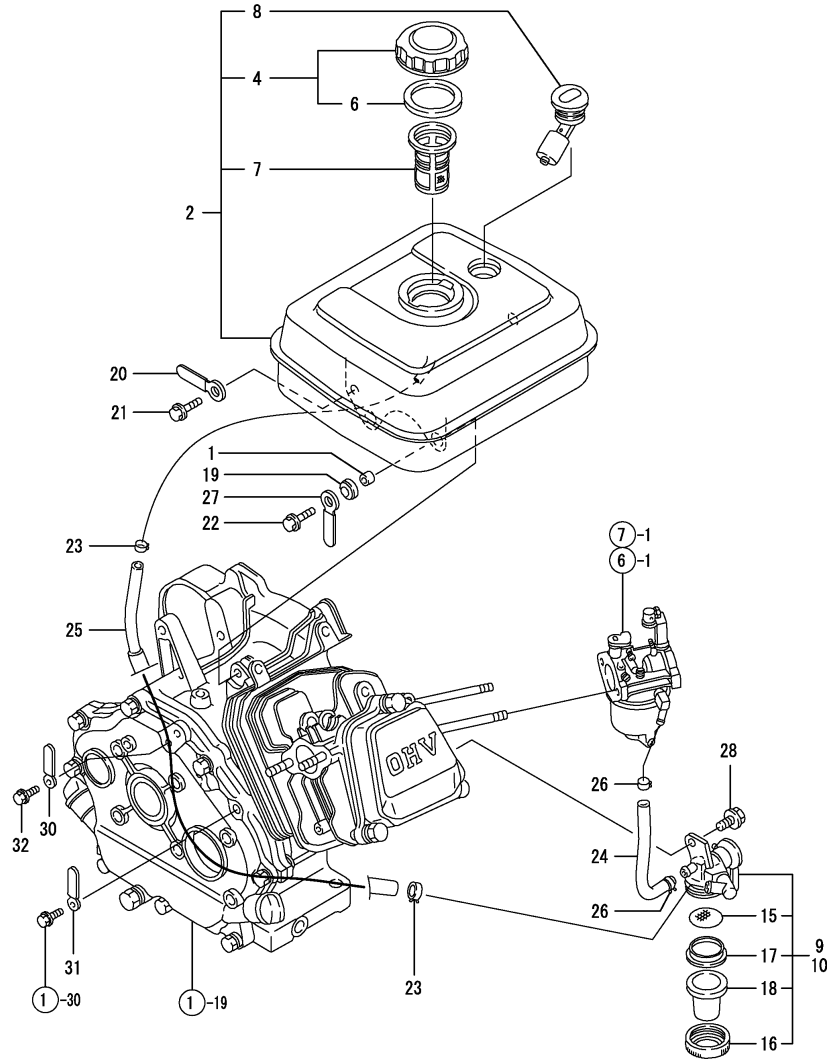
(A)=GA240E-SJ
(B)=GA240E-SEJ
(C)=GA280E-SJ1

(D)=GA280E-SEJ1
(E)=
(F)=

REF.	LEV.	PARTS NO.	DESCRIPTION	Q'TY						I	R
				(A)	(B)	(C)	(D)	(E)	(F)		
1	1	160890-14051	CAMSHAFT ASSY	1	1	1	1				
9	2	160890-14560	SPRING, DECOMP.	1	1	1	1				
10	1	22512-050160	KEY 5X16,FEATHER	1	1	1	1				
11	1	160890-14200	TAPPET	2	2	2	2				
12	1	114250-14400	ROD, PUSH	2	2						
13	1	160890-14400	ROD, PUSH			2	2				
14	1	760790-21700	CRANKSHAFT ASSY	1	1						
15	1	760890-21700	CRANKSHAFT ASSY			1	1				
20	2	160890-21200	GEAR, CRANKSHAFT	1	1	1	1				
21	2	160890-21220	GEAR, BALANCER	1	1	1	1				
22	2	22512-040160	KEY 4X 16	1	1	1	1				
23	2	22512-040300	KEY 4X 30	1	1	1	1				
24	1	26737-160002	NUT M16	1	1	1	1				
25	1	22137-160000	WASHER 16,POLISHED	1	1	1	1				
26	1	160798-22010	PISTON W/RINGS	1	1						
27	1	160890-22011	PISTON W/RING			1	1				
30	2	760798-22500	RING SET, PISTON	1	1						
31	2	760890-22500	RING SET, PISTON			1	1				
38	1	160890-22300	PIN, PISTON	1	1	1	1				
39	1	22252-000190	CIRCLIP 19	2	2	2	2				
40	1	760790-23700	ROD ASSY, CONNECTING	1	1						
41	1	760890-23700	ROD ASSY, CONNECTING			1	1				
44	2	160810-23201	BOLT, ROD	2	2	2	2				
45	1	160890-21220	GEAR, BALANCER	1	1	1	1				
46	1	160790-28010	SHAFT, BALANCER	1	1						
47	1	160890-28010	SHAFT, BALANCER			1	1				
50	1	22351-040008	SPRING PIN 4X 8	1	1	1	1				
51	1	160310-14550	WASHER	1	1	1	1				
52	1	22512-070380	KEY 7X 38	1	1	1	1				
53	1	26106-080202	BOLT M 8X 20 PLATED	1	1	1	1				

Remarks
(REMARKS)"EFFECTIVE MACHINE NO." OF
ENGINE IS INDICATED ON THE
ENGINE LABEL WHICH IS SHOWN
IN FIG.10,11.

Fig.5. FUEL TANK & FUEL LINE



Remarks
 (REMARKS)"EFFECTIVE MACHINE NO." OF
 ENGINE IS INDICATED ON THE
 ENGINE LABEL WHICH IS SHOWN
 IN FIG.10,11.

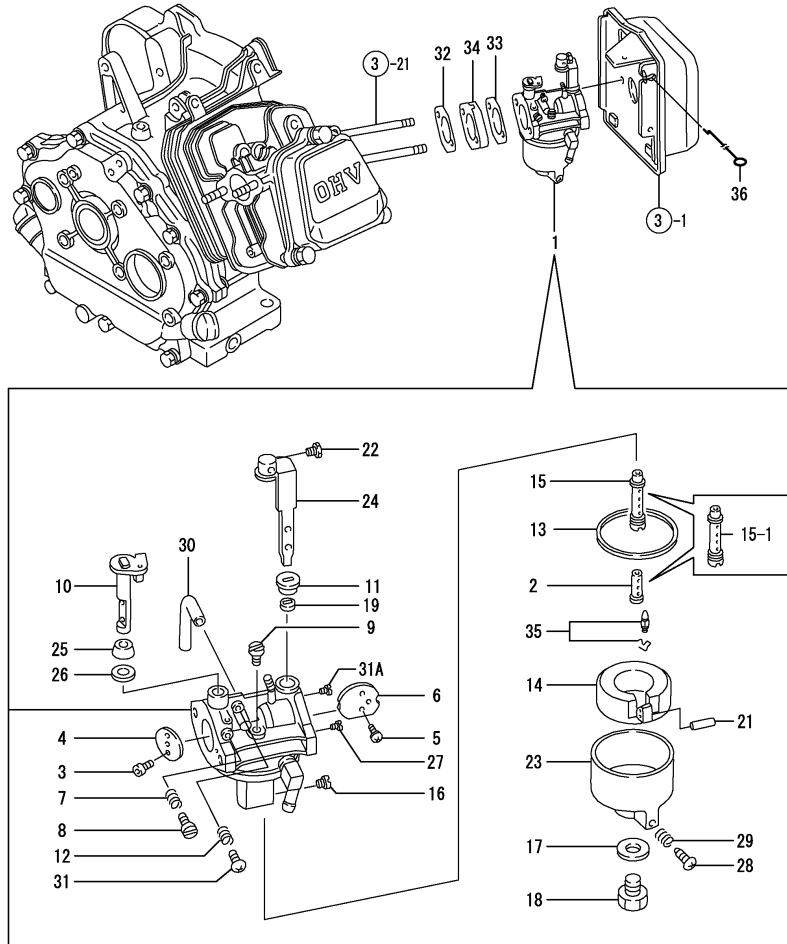
(A)=GA240E-SJ
 (B)=GA240E-SEJ
 (C)=GA280E-SJ1

(D)=GA280E-SEJ1
 (E)=
 (F)=

REF.	LEV.	PARTS NO.	DESCRIPTION	QTY						I	R
				(A)	(B)	(C)	(D)	(E)	(F)		
1	1	114250-45310	COLLAR	4	4	4	4				
2	1	760890-55711	TANK, FUEL (RED)(50)	1	1	1	1				
4	2	160710-55061	CAP ASSY, FUEL TANK	1	1	1	1				
6	3	160393-55050	GASKET, TANK CAP	1	1	1	1				
7	2	160610-55100	STRAINER	1	1	1	1				
8	2	160762-55150	GAUGE, FUEL	1	1	1	1				
9	1	160991-55300	COCK ASSY, FUEL	1	1						
10	1	160692-55330	COCK ASSY, FUEL			1	1				
I 15	2	160710-55382	FILTER	1	1	1	1				
I 16	2	160710-55360	RING	1	1	1	1				
I 17	2	160710-55370	GASKET	1	1	1	1				
18	2	160903-55390	CUP	1	1	1	1				
I 18-1	2	160998-55390	BOWL, STRAINER	1	1	1	1				R
		(A=E56982) (B=E56972) (C=*2002.02) (D=E74900)									
19	1	160690-55461	DAMPER, FUEL TANK	4	4	4	4				
I 19-1	1	160690-55462	DAMPER, FUEL TANK	4	4	4	4				N
		(A=E5XXX) (B=E5XXX) (C=E5XXX) (D=E5XXX)									
20	1	160710-78710	CLAMP, CORD	1	1	1	1				
21	1	26106-060082	BOLT M 6X 8 PLATED	1	1	1	1				
22	1	114370-45350	BOLT, FAN CASE	4	4	4	4				
I 22-1	1	160690-55140	BOLT, FAN CASE	4	4	4	4				R
		(A=E5XXX) (B=E5XXX) (C=E5XXX) (D=E5XXX)									
23	1	106990-44660	CLIP, HOSE	2	2	2	2				
24	1	160920-59350	PIPE A, FUEL	1	1	1	1				
I 24-1	1	160920-59351	HOSE, FUEL	1	1	1	1				N
		(A=E51533) (B=E51554) (C=E62416) (D=E62415)									
25	1	160769-59370	PIPE, FUEL	1	1	1	1				
I 25-1	1	160769-59371	HOSE, FUEL	1	1	1	1				N
		(A=E51533) (B=E51554) (C=E62416) (D=E62415)									
26	1	124060-77680	CLAMP 10	2	2	2	2				
I 26-1	1	119520-03990	HOSE CLAMP	2	2	2	2				R
		(A=E54905) (B=E54855) (C=*2001.06) (D=E69529)									
I 27	1	160802-78270	CLAMP, CORD	1	1	1	1				
28	1	26106-060082	BOLT M 6X 8 PLATED	1	1						
29	1	26106-060102	BOLT 6X 10 PLATED			1	1				
30	1	160260-78700	CLAMP, CORD			1	1				
31	1	160820-78710	CLAMP, CORD			1	1				
33	1	26106-060082	BOLT M 6X 8 PLATED			1	1				

Fig.6. CARBURETOR

GA240E-SJ
GA240E-SEJ



Remarks
(1) REPAIR PART.
(REMARKS)"EFFECTIVE MACHINE NO." OF
ENGINE IS INDICATED ON THE
ENGINE LABEL WHICH IS SHOWN
IN FIG.10.

0CNP3-G50900 6. CARBURETOR

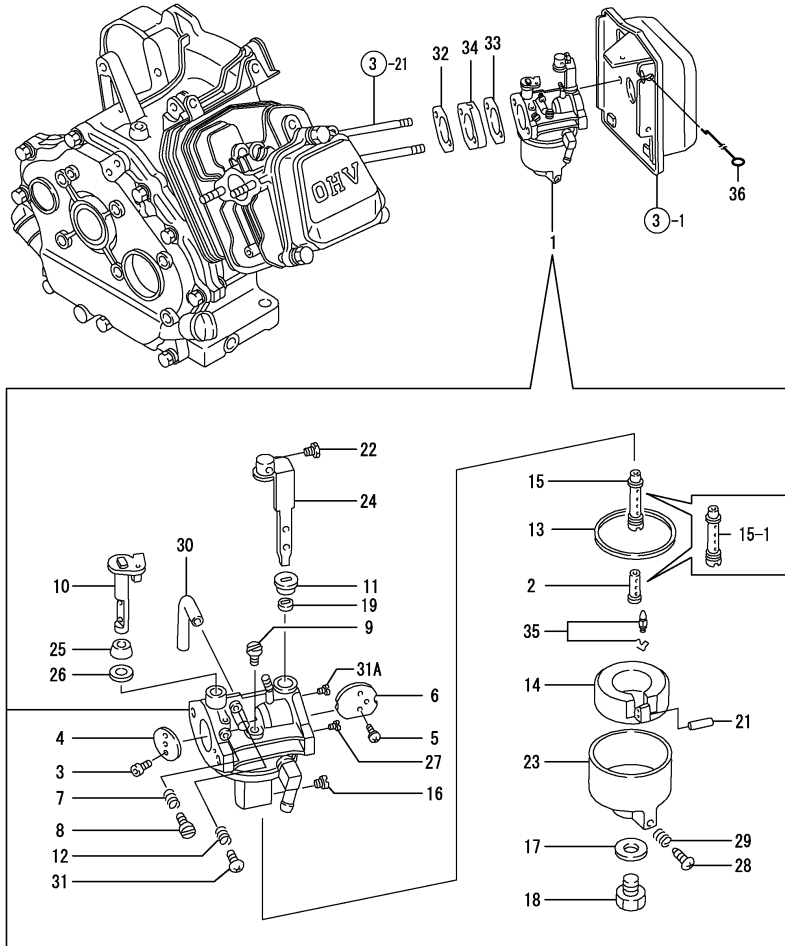
(A)=GA240E-SJ
(B)=GA240E-SEJ
(C)=GA280E-SJ1

(D)=GA280E-SEJ1
(E)=
(F)=

REF.	LEV.	PARTS NO.	DESCRIPTION	QTY						I	R
				(A)	(B)	(C)	(D)	(E)	(F)		
1	1	160798-56040	CABURETOR ASSY	1	1						
I	1-1	160798-56041	CARBURETOR ASSY	1	1						N
		(A=E48813) (B=E48778)									
I	2	160790-56570	NOZZLE	1	1						Z
		(A=E48813) (B=E48778)									
I	3-1	160690-56560	SCREW	2	2						N
		(A=E48813) (B=E48778)									
I	4	160880-56760	VALVE, THROTTLE	1	1						
I	5-1	160903-56670	SCREW	2	2						
		(A=E48813) (B=E48778)									N
I	6	160792-56520	VALVE, CHOKE	1	1						
I	7	181230-56380	SPRING	1	1						
I	8	160667-56750	SCREW, ADJUSTING	1	1						
I	9	160667-56740	JET, PILOT	1	1						
I	10	160792-56530	SHAFT, THROTTLE	1	1						
I	11	160792-56540	RING	1	1						
I	12	181230-56380	SPRING	1	1						
I	13	160210-56610	WASHER	1	1						
I	14	160890-56620	FLOAT ASSY	1	1						
I	15	160793-56560	NOZZLE, MAIN	1	1						
I	15-1	160793-56561	NOZZLE, MAIN	1	1						S
		(A=E48813) (B=E48778)									
I	16	160797-56570	JET, ENRICHMENT	1	1						
I	17	160120-56721	GASKET	1	1						
I	18	160790-56610	BOLT	1	1						
I	19	160810-56580	RING, CHOKE SHAFT	1	1						
I	21	160610-56630	PIN, FLOAT	1	1						
I	22	26117-040088	BOLT M 4X 8 PLATED	1	1						
I	23	160890-56430	BODY, FLOAT	1	1						
I	24	160790-56600	LEVER, CHOKE	1	1						
I	25	160702-56720	RING	1	1						
I	26	160640-56850	SEAL	1	1						Z
		(A=E48813) (B=E48778)									
I	27	160792-56610	JET, PILOT AIR	1	1						
I	28	160610-56900	SCREW	1	1						
I	29	181230-56380	SPRING	1	1						
I	30	160692-56770	HOSE	1	1						Z
		(A=E48813) (B=E48778)									
I	31	160692-56710	SCREW	1	1						
I	31A	160798-56630	JET, AIR	1	1						W
		(A=E48813) (B=E48778)									
I	32	160790-56150	GASKET, CARBURETOR	1	1						
I	32-1	160790-56151	GASKET, CARBURETOR	1	1						R
		(A=E48813) (B=E48778)									
I	33	160810-56150	GASKET, CARBURETOR	1	1						
I	33-1	160810-56151	GASKET, CARBURETOR	1	1						R
		(A=E48813) (B=E48778)									
I	34	160790-56160	INSULATOR, CARBURETOR	1	1						
I	35	160792-56670	VALVE, NEEDLE(RUBBER)	1	1						1

Fig.6. CARBURETOR

GA240E-SJ
GA240E-SEJ



0CNP3-G50900 6. CARBURETOR

(A)=GA240E-SJ
(B)=GA240E-SEJ
(C)=GA280E-SJ1

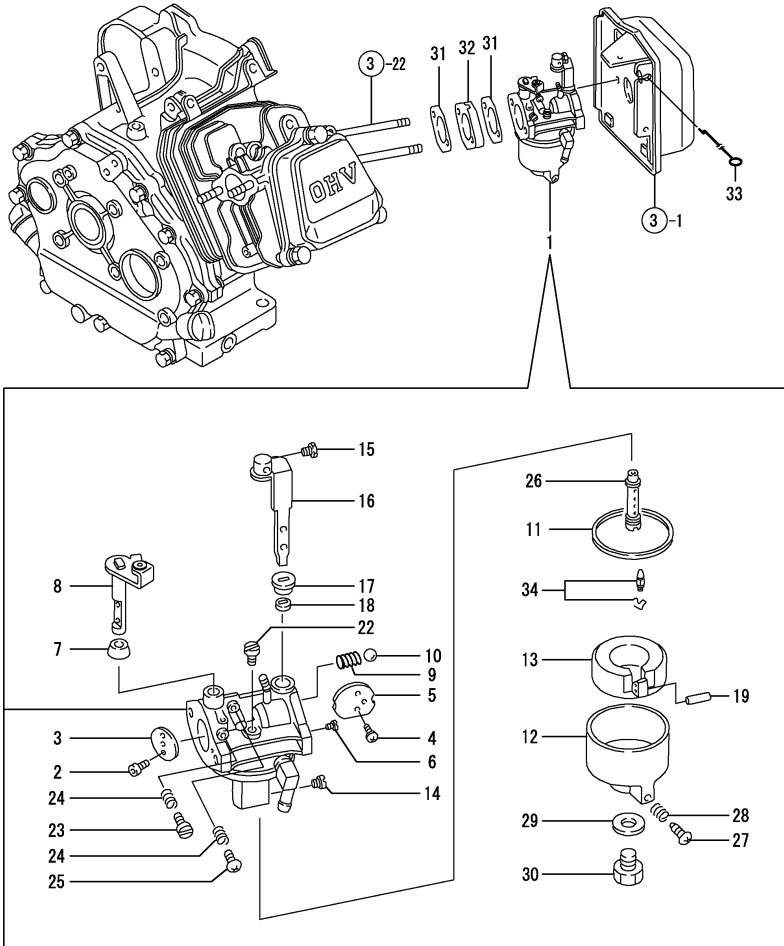
(D)=GA280E-SEJ1
(E)=
(F)=

REF.	LEV.	PARTS NO.	DESCRIPTION	Q'TY						I	R
				(A)	(B)	(C)	(D)	(E)	(F)		
36	1	160891-56900	ROD, CHOKE	1	1						

Remarks
(1) REPAIR PART.
(REMARKS)"EFFECTIVE MACHINE NO." OF
ENGINE IS INDICATED ON THE
ENGINE LABEL WHICH IS SHOWN
IN FIG.10.

Fig.7. CARBURETOR

GA280E-SJ1
GA280E-SEJ1



OCNP3-G50900 7. CARBURETOR

(A)=GA240E-SJ
(B)=GA240E-SEJ
(C)=GA280E-SJ1

(D)=GA280E-SEJ1
(E)=
(F)=

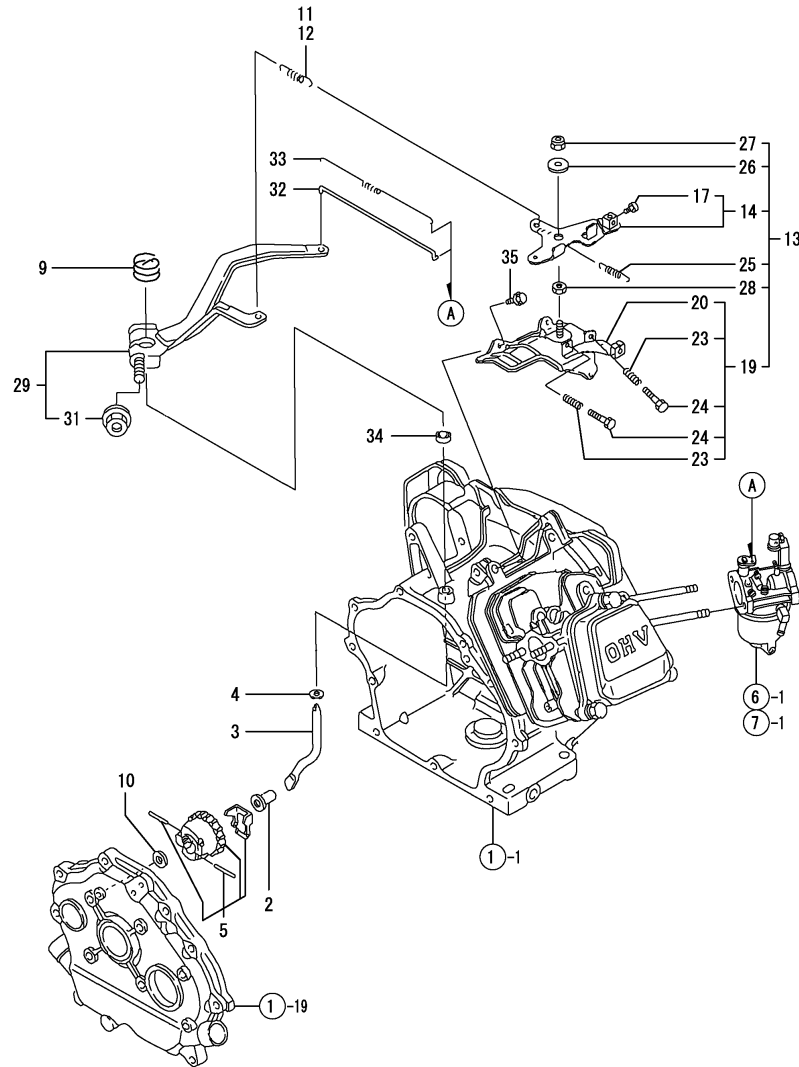
REF.	LEV.	PARTS NO.	DESCRIPTION	QTY						I	R	
				(A)	(B)	(C)	(D)	(E)	(F)			
1	1	160891-56021	CARBURETOR ASSY			1	1					
2	2	160690-56560	SCREW			2	2					
3	2	160992-56520	VALVE, THROTTLE			1	1					
4	2	160690-56570	SCREW			2	2					
5	2	160891-56680	VALVE, CHOKE			1	1					
6	2	160992-56540	JET,MAINAIR			1	1					
7	2	160702-56720	RING			1	1					
8	2	160992-56550	SHAFT, THROTTLE			1	1					
9	2	160310-56980	SPRING, CHOKE			1	1					
10	2	160310-56990	BALL, STEEL			1	1					
11	2	160210-56610	WASHER			1	1					
12	2	160890-56430	BODY, FLOAT			1	1					
13	2	160890-56620	FLOAT ASSY			1	1					
14	2	160998-56381	JET, MAIN			1	1					
15	2	26117-040088	BOLT M 4X 8 PLATED			1	1					
16	2	160890-56520	LEVER, CHOKE			1	1					
17	2	160810-56590	RING, CHOKE LEVER			1	1					
18	2	160810-56580	RING, CHOKE SHAFT			1	1					
19	2	160610-56630	PIN, FLOAT			1	1					
I 19-1	2	160690-56630	PIN, FLOAT (C=E53266) (D=E55743)			1	1					N
22	2	160667-56740	JET, PILOT			1	1					
23	2	160667-56750	SCREW, ADJUSTING			1	1					
24	2	181230-56380	SPRING			2	2					
25	2	160692-56710	SCREW			1	1					
26	2	160792-56561	NOZZLE, MAIN			1	1					
27	2	160610-56900	SCREW			1	1					
28	2	181230-56380	SPRING			1	1					
29	2	160495-56600	GASKET			1	1					
I 29-1	2	160120-56600	GASKET (C=E53266) (D=E55743)			1	1					N
30	2	160790-56610	BOLT			1	1					
31	1	160910-56150	GASKET, CARBURETOR			2	2					
I 31-1	1	160910-56151	GASKET, CARBURETOR (C=E53266) (D=E55743)			1	1					N
32	1	160890-56160	INSULATOR,CARBURETOR			1	1					
33	1	160891-56900	ROD, CHOKE			1	1					
34	1	160792-56670	VALVE, NEEDLE(RUBBER)			1	1					1
I 34-1	1	160890-56790	VALVE, NEEDLE(RUBBER) (C=E53266) (D=E55743)			1	1					N 1

Remarks
(1) REPAIR PART.
(REMARKS)"EFFECTIVE MACHINE NO." OF
ENGINE IS INDICATED ON THE
ENGINE LABEL WHICH IS SHOWN
IN FIG.11.

Fig.8. GOVERNOR & CONTROL DEVICE

(A)=GA240E-SJ
(B)=GA240E-SEJ
(C)=GA280E-SJ1

(D)=GA280E-SEJ1
(E)=
(F)=



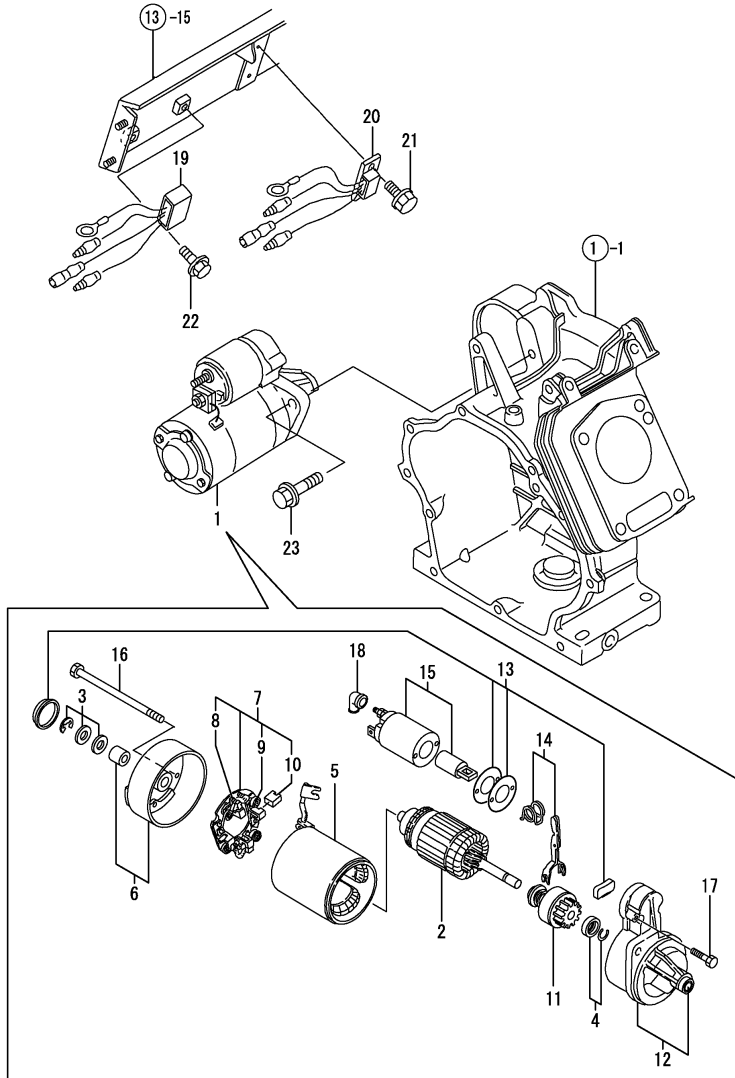
REF.	LEV.	PARTS NO.	DESCRIPTION	Q'TY						I	R
				(A)	(B)	(C)	(D)	(E)	(F)		
2	1	160690-61301	SPINDLE, GOVERNOR	1	1	1	1				
3	1	160690-61311	SHAFT, GOV. LEVER	1	1	1	1				
4	1	160690-61450	WASHER	1	1	1	1				
5	1	160690-61600	GEAR ASSY, GOV.	1	1	1	1				
9	1	160890-66050	SPRING, RETURN	1	1	1	1				
10	1	160120-76940	WASHER	1	1	1	1				
11	1	160790-66010	SPRING, GOVERNOR	1	1						
12	1	160890-66010	SPRING, GOVERNOR			1	1				
13	1	160798-66250	CONTROL ASSY	1	1	1	1				
14	2	160692-66051	LEVER ASSY, CONTROL	1	1	1	1				
17	3	26117-040088	BOLT M 4X 8 PLATED	1	1	1	1				
19	2	160798-66260	BASE ASSY, CONTROL	1	1	1	1				
20	3	160798-66140	BASE ASSY	1	1	1	1				
23	3	160520-66291	SPRING	2	2	2	2				
24	3	26117-040257	BOLT M 4X 25	2	2	2	2				
25	2	160664-66220	SPRING, RETURN	1	1	1	1				
26	2	160670-66350	COLLAR	1	1	1	1				
27	2	26347-060002	U-NUT M 6	1	1	1	1				
28	2	26757-060002	NUT M 6	1	1	1	1				
I 28-1	2	26756-060002	LOCK NUT 6	1	1	1	1				R
		(A=EXXX)	(B=EXXX)	(C=EXXX)	(D=EXXX)						
29	1	160890-66190	LEVER ASSY, GOVERNOR	1	1	1	1				
31	2	26366-060002	NUT M 6	1	1	1	1				
32	1	160690-66200	LINK, THROTTLE	1	1	1	1				
33	1	160690-66210	SPRING, TENSION	1	1	1	1				
34	1	114770-61600	SEAL, OIL	1	1	1	1				
35	1	26476-060142	BOLT M 6X 14,TAPPING	3	3	3	3				

Remarks
(REMARKS)"EFFECTIVE MACHINE NO." OF
ENGINE IS INDICATED ON THE
ENGINE LABEL WHICH IS SHOWN
IN FIG.10,11.

Fig.9. STARTING MOTOR

(A)=GA240E-SJ
 (B)=GA240E-SEJ
 (C)=GA280E-SJ1

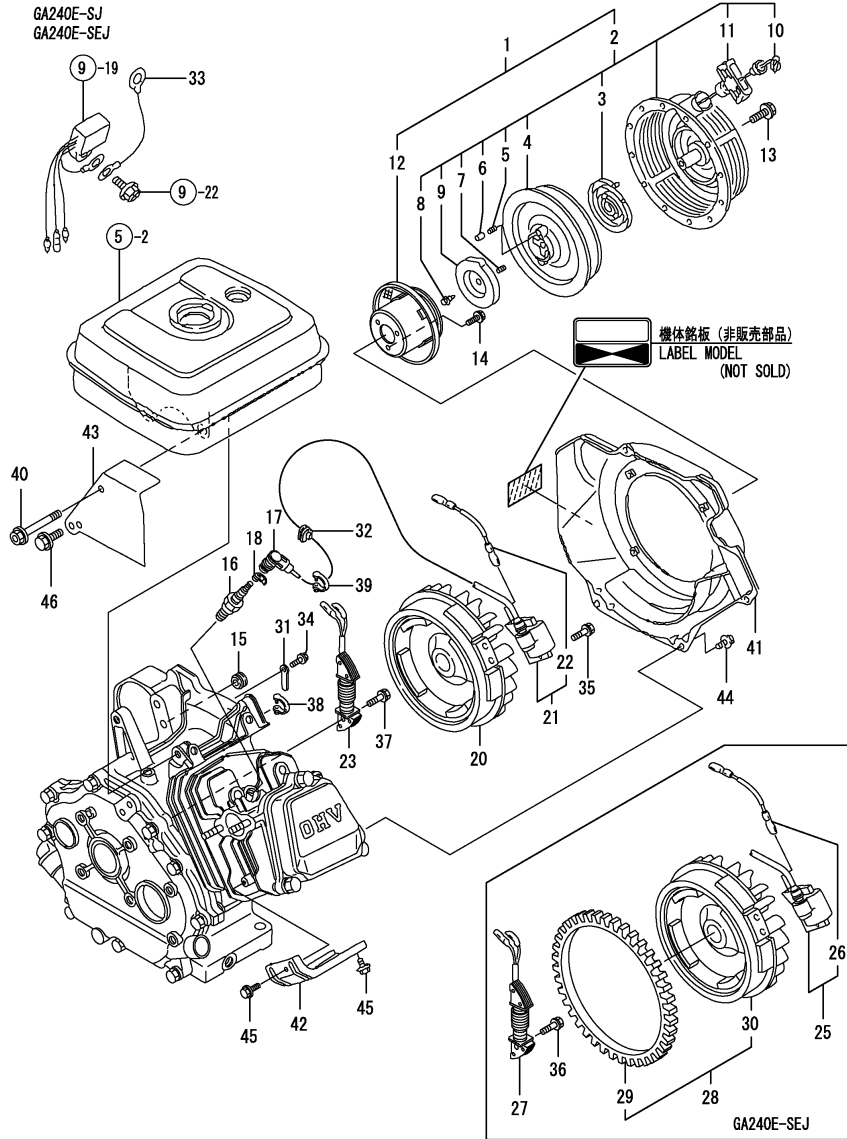
(D)=GA280E-SEJ1
 (E)=
 (F)=



REF.	LEV.	PARTS NO.	DESCRIPTION	QTY						I	R	
				(A)	(B)	(C)	(D)	(E)	(F)			
1	1	160891-77020	STARTER		1		1					
2	2	114371-77110	ARMATURE		1		1					
3	2	X2114811000	WASHER KIT, THRUST		1		1					
4	2	X2114715500	STOPPER SET, PINION		1		1					
5	2	114371-77130	COIL ASSY, FIELD		1		1					
6	2	114371-77140	COVER ASSY, REAR		1		1					
7	2	114371-77160	HOLDER ASSY, BRUSH		1		1					
8	3	114371-79040	BRUSH (-)		2		2					
9	3	114371-79060	SPRING, BRUSH		4		4					
10	3	114371-79050	BRUSH (+)		1		1					
11	2	160891-77750	PINION ASSY		1		1					
12	2	160891-77760	HOUSING ASSY, GEARS		1		1					
13	2	114371-77170	COVER KIT, DUST		1		1					
14	2	114371-77180	SHIFT LEVER KIT		1		1					
15	2	124298-77020	SWITCH, MAGNET		1		1					
16	2	124195-77770	THROUGH BOLT		2		2					
17	2	114371-79070	BOLT M 6X 37		2		2					
18	2	X2114274200	COVER, TERMINAL		1		1					
19	1	160708-77350	RECTIFIER		1		1					
20	1	160791-77490	HARNESS		1		1					
I 21	1	26023-040102	SCREW M 4X 10		2		2					Z
I 22	1	26106-060122	BOLT M 6X 12 PLATED (D=EXXX)		1		1					Z
23	1	26106-100302	BOLT M10X 30 PLATED (D=EXXX)		2		2					

Remarks
 (REMARKS)"EFFECTIVE MACHINE NO." OF
 ENGINE IS INDICATED ON THE
 ENGINE LABEL WHICH IS SHOWN
 IN FIG.10,11.

Fig.10. FLY. MAGNET & STARTING DEVICE



Remarks
(REMARKS)"EFFECTIVE MACHINE NO." OF
ENGINE IS INDICATED ON THE
ENGINE LABEL WHICH IS SHOWN
IN FIG.10.

(A)=GA240E-SJ
(B)=GA240E-SEJ
(C)=GA280E-SJ1

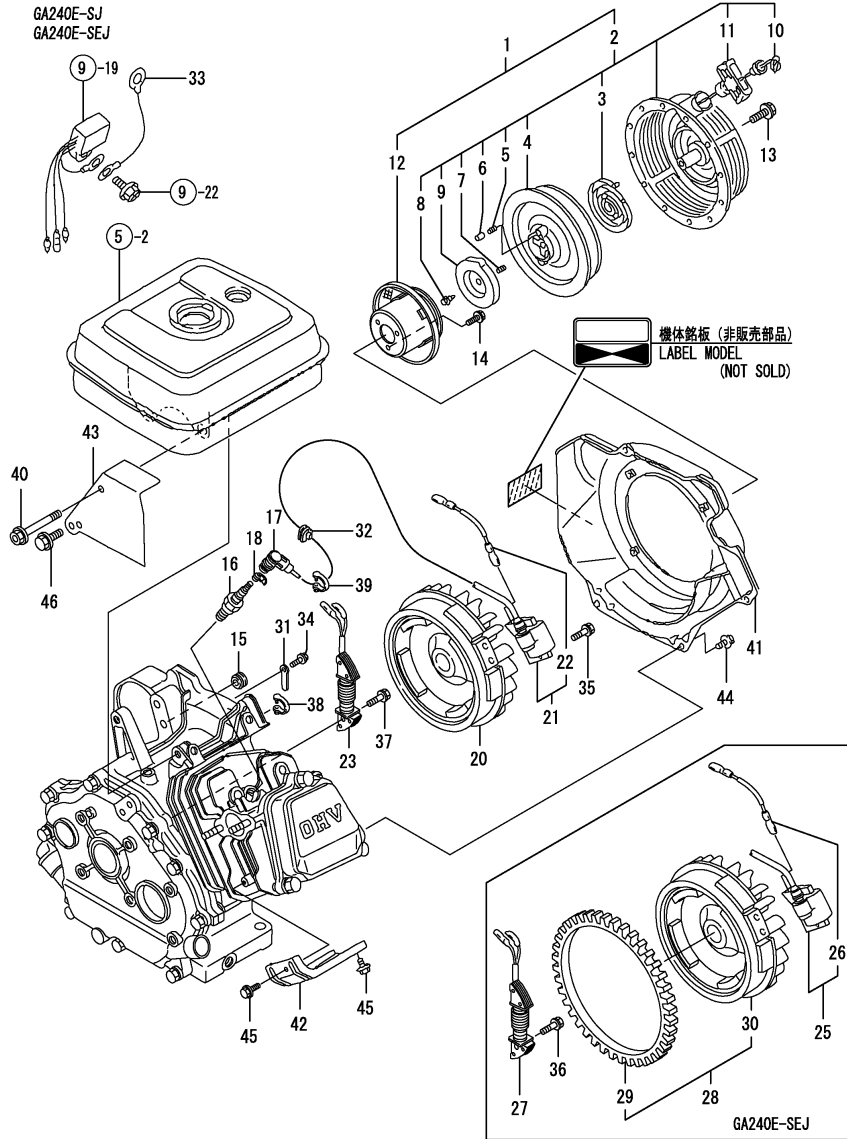
(D)=GA280E-SEJ1
(E)=
(F)=

REF.	LEV.	PARTS NO.	DESCRIPTION	QTY						I	R
				(A)	(B)	(C)	(D)	(E)	(F)		
1	1	160798-76060	STARTER ASSY, RECOIL	1	1						
2	2	160891-76250	RECOIL ASSY	1	1						
3	3	160890-76510	SPRING, SPIRAL	1	1						
4	3	160890-76520	REEL	1	1						
5	3	160890-76530	SPRING	1	1						
6	3	160890-76540	DOG	1	1						
7	3	160890-76550	SPRING, BRAKE	1	1						
8	3	160641-76570	SCREW, CENTER	1	1						
9	3	160890-76570	RETAINER	1	1						
10	3	160890-76580	ROPE	1	1						
11	3	160260-76620	KNOB, STARTER	1	1						
12	2	160790-76590	PULLEY, STARTER	1	1						
13	1	26106-060082	BOLT M 6X 8 PLATED	4	4						
14	1	26106-060122	BOLT M 6X 12 PLATED	3	3						
15	1	160341-01950	PIPE	1	2						Z
(A=EXXX) (B=EXXX)											
16	1	160793-78010	PLUG, SPARK	1	1						
17	1	160700-78040	CAP, PLUG	1	1						
18	1	160700-78050	TERMINAL, PLUG	1	1						
20	1	160790-78500	ROTOR	1							
21	1	160791-78522	IGNITER	1							
22	2	160690-78230	CORD, STOP	1							
23	1	160798-78620	COIL, LAMP	1							
25	1	160791-78522	IGNITER		1						
25-1	1	160998-78400	IGNITER		1						N
(A=*2010.01)											
26	2	160690-78230	CORD, STOP		1						
27	1	160793-78630	COIL, CHARGE	1							
28	1	160791-78750	ROTOR	1							
28-1	1	160791-78751	ROTOR	1							N
(B=E55805)											
29	2	160891-78170	GEAR, RING		1						
29-1	2	160891-78171	GEAR,RING		1						N
(B=E55805)											
30	2	160791-78510	ROTOR		1						
31	1	160710-78710	CLAMP, CORD	1	1						
32	1	160700-78720	GROMMET	1	1						
33	1	160891-78200	LEAD WIRE	1	1						
34	1	26476-060142	BOLT M 6X 14,TAPPING	1	1						
35	1	26476-060252	BOLT M 6X 25,TAPPING	2	2						
35-1	1	26476-060302	BOLT M 6X 30,TAPPING	2	2						R
(A=EXXX) (B=EXXX)											
36	1	26476-060252	BOLT M 6X 25,TAPPING		2						
37	1	26476-060252	BOLT M 6X 25,TAPPING		2						
38	1	29610-000650	CLAMP, SPEED 065	1	1						
39	1	29610-000950	CLAMP, SPEED 095	1	1						Z
(A=EXXX) (B=EXXX)											
40	1	160611-04350	BOLT 6X70,TAPPING	1	1						
41	1	160798-45130	CASE,FAN (WHITE)(14)	1	1						
42	1	160890-45200	HEAD COVER, SIDE	1	1						
43	1	160891-45230	COVER, CYLINDER	1	1						

Fig.10. FLY. MAGNET & STARTING DEVICE

(A)=GA240E-SJ
(B)=GA240E-SEJ
(C)=GA280E-SJ1

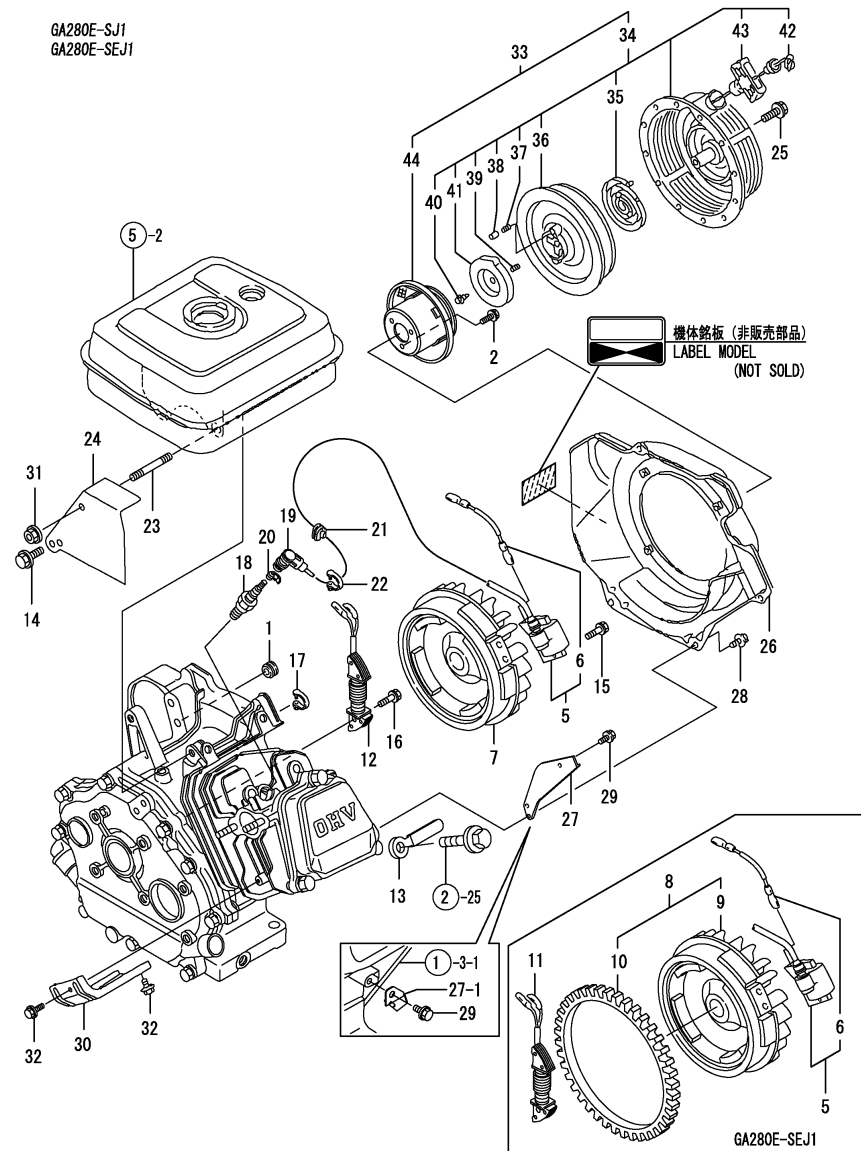
(D)=GA280E-SEJ1
(E)=
(F)=



REF.	LEV.	PARTS NO.	DESCRIPTION	QTY						I	R
				(A)	(B)	(C)	(D)	(E)	(F)		
44	1	26476-060142	BOLT M 6X 14,TAPPING	4	4						
45	1	26476-060142	BOLT M 6X 14,TAPPING	2	2						
46	1	26476-060142	BOLT M 6X 14,TAPPING	1	1						

Remarks
(REMARKS)"EFFECTIVE MACHINE NO." OF
ENGINE IS INDICATED ON THE
ENGINE LABEL WHICH IS SHOWN
IN FIG.10.

Fig.11. FLY. MAGNET & STARTING DEVICE



Remarks
(REMARKS)"EFFECTIVE MACHINE NO." OF
ENGINE IS INDICATED ON THE
ENGINE LABEL WHICH IS SHOWN
IN FIG.11.

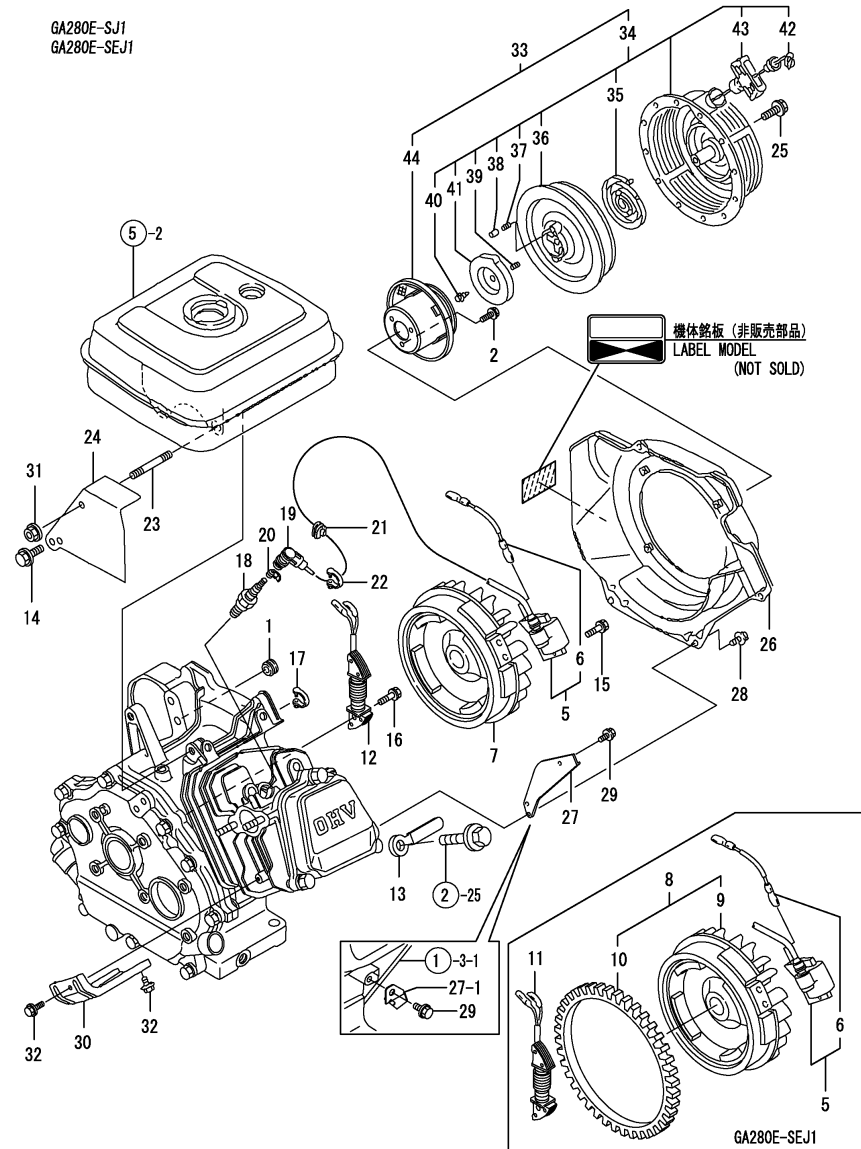
0CNP3-G50900 11. FLY. MAGNET & STARTING DEVICE

(A)=GA240E-SJ
(B)=GA240E-SEJ
(C)=GA280E-SJ1

(D)=GA280E-SEJ1
(E)=
(F)=

REF.	LEV.	PARTS NO.	DESCRIPTION	Q'TY						I	R
				(A)	(B)	(C)	(D)	(E)	(F)		
1	1	160341-01950 (A=E7XXX) (B=E7XXX)	PIPE	1	1						Z
2	1	26106-060122	BOLT M 6X 12 PLATED			3	3				
5	1	160791-78522	IGNITER			1	1				
5-1	1	160998-78400	IGNITER (C=*2010.01) (D=*2010.01)			1	1				N
6	2	160690-78230	CORD, STOP			1	1				
7	1	160890-78560	ROTOR			1					
8	1	160998-78760	ROTOR				1				
8-1	1	160998-78761	ROTOR (D=E70813)				1				N
9	2	160998-78510	ROTOR				1				
10	2	160891-78170	GEAR, RING				1				
10-1	2	160891-78171	GEAR, RING (D=E70813)				1				N
11	1	160793-78630	COIL, CHARGE					1			
12	1	160798-78620	COIL, LAMP			1					
13	1	160710-78710	CLAMP, CORD				1				
14	1	26476-060142	BOLT M 6X 14, TAPPING			1	1				
15	1	26476-060252	BOLT M 6X 25, TAPPING			2	2				
15-1	1	26476-060302	BOLT M 6X 30, TAPPING (C=E7XXX) (D=E7XXX)			2	2				N
16	1	26476-060252	BOLT M 6X 25, TAPPING			2	2				
17	1	29610-000650	CLAMP, SPEED 065			1	1				
18	1	160793-78010	PLUG, SPARK			1	1				
19	1	160700-78040	CAP, PLUG			1	1				
20	1	160700-78050	TERMINAL, PLUG			1	1				
21	1	160700-78720	GROMMET			1	1				
22	1	29610-000950 (C=E7XXX) (D=E7XXX)	CLAMP, SPEED 095			1	1				Z
23	1	160611-04350	BOLT 6X70, TAPPING			1	1				
24	1	160891-45230	COVER, CYLINDER			1	1				
25	1	26106-060082	BOLT M 6X 8 PLATED			2	2				
26	1	160891-45120	CASE, FAN (WHITE)(14)			1	1				
26-1	1	160891-45121 (C=E7XXX) (D=E7XXX)	CASE, FAN(WHITE)(14)			1	1				R
27	1	160890-45210	COVER, REAR			1	1				
27-1	1	160890-45240 (C=*2002.01) (D=E73557)	COVER, REAR			1	1				S
28	1	26476-060142	BOLT M 6X 14, TAPPING			4	4				
29	1	26476-060142	BOLT M 6X 14, TAPPING			1	1				
30	1	160890-45230	HEAD COVER, SIDE			1	1				
31	1	26366-060002	NUT M 6			1	1				
32	1	26476-060142	BOLT M 6X 14, TAPPING			2	2				
33	1	160891-76050	STARTER ASSY, RECOIL			1	1				
34	2	160891-76250	RECOIL ASSY			1	1				
35	3	160890-76510	SPRING, SPIRAL			1	1				
36	3	160890-76520	REEL			1	1				
37	3	160890-76530	SPRING			1	1				
38	3	160890-76540	DOG			1	1				
39	3	160890-76550	SPRING, BRAKE			1	1				

Fig.11. FLY. MAGNET & STARTING DEVICE



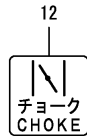
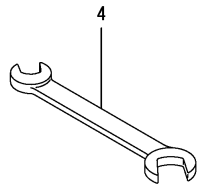
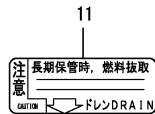
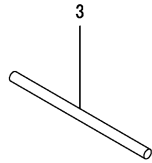
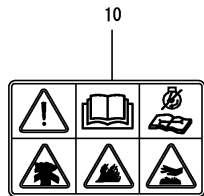
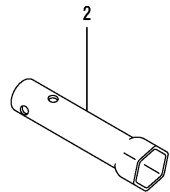
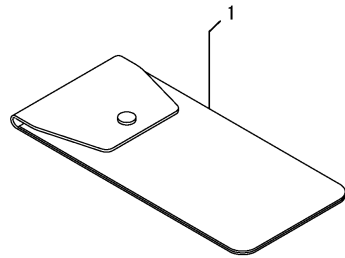
(A)=GA240E-SJ
(B)=GA240E-SEJ
(C)=GA280E-SJ1

(D)=GA280E-SEJ1
(E)=
(F)=

REF.	LEV.	PARTS NO.	DESCRIPTION	QTY						I	R
				(A)	(B)	(C)	(D)	(E)	(F)		
40	3	160641-76570	SCREW, CENTER			1	1				
41	3	160890-76570	RETAINER			1	1				
42	3	160891-76580	ROPE			1	1				
43	3	160260-76620	KNOB, STARTER			1	1				
44	2	160890-76590	PULLEY, STARTER			1	1				

Remarks
(REMARKS)"EFFECTIVE MACHINE NO." OF
ENGINE IS INDICATED ON THE
ENGINE LABEL WHICH IS SHOWN
IN FIG.11.

Fig.12. TOOLS & LABELS



0CNP3-G50900 12. TOOLS & LABELS

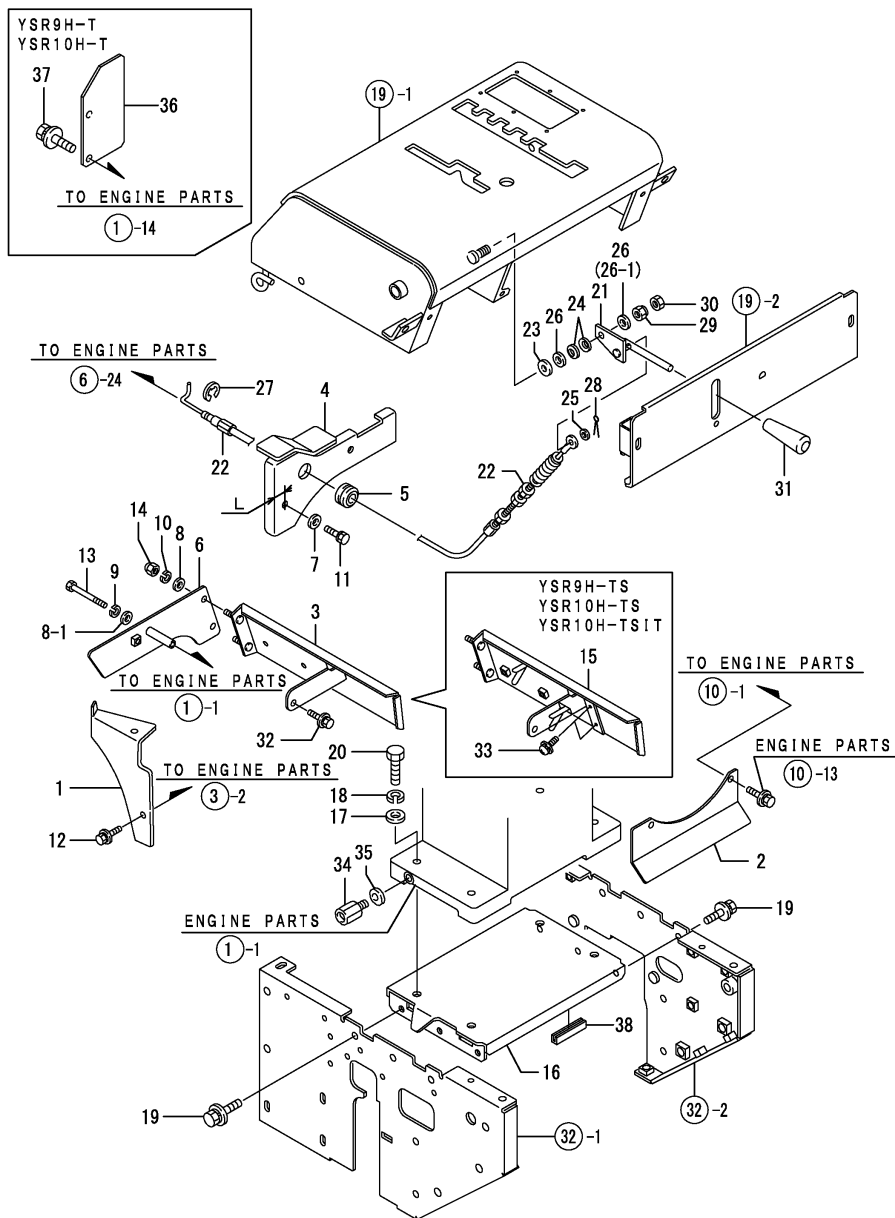
(A)=GA240E-SJ
(B)=GA240E-SEJ
(C)=GA280E-SJ1

(D)=GA280E-SEJ1
(E)=
(F)=

REF.	LEV.	PARTS NO.	DESCRIPTION	Q'TY						I	R
				(A)	(B)	(C)	(D)	(E)	(F)		
1	1	160708-92610	BAG, TOOL	1	1	1	1				
2	1	160120-92700	SPANNER, BOX	1	1	1	1				
3	1	160110-92710	BAR	1	1	1	1				
4	1	28110-100120	WRENCH 10X12	1	1	1	1				
7	1	160798-07100	LABEL, FINGER START	1	1	1	1				
10	1	160991-07260	LABEL	1	1	1	1				
11	1	160520-07272	LABEL, DRAIN	1	1	1	1				
I 11-1	1	160690-07260	LABEL, DRAIN	1	1	1	1				R
		(A=EXXX) (B=EXXX) (C=EXXX) (D=EXXX)									
12	1	160690-07400	LABEL	1	1	1	1				

Remarks
(REMARKS)"EFFECTIVE MACHINE NO." OF
ENGINE IS INDICATED ON THE
ENGINE LABEL WHICH IS SHOWN
IN FIG.10,11.

Fig.13. ENGINE RELATED



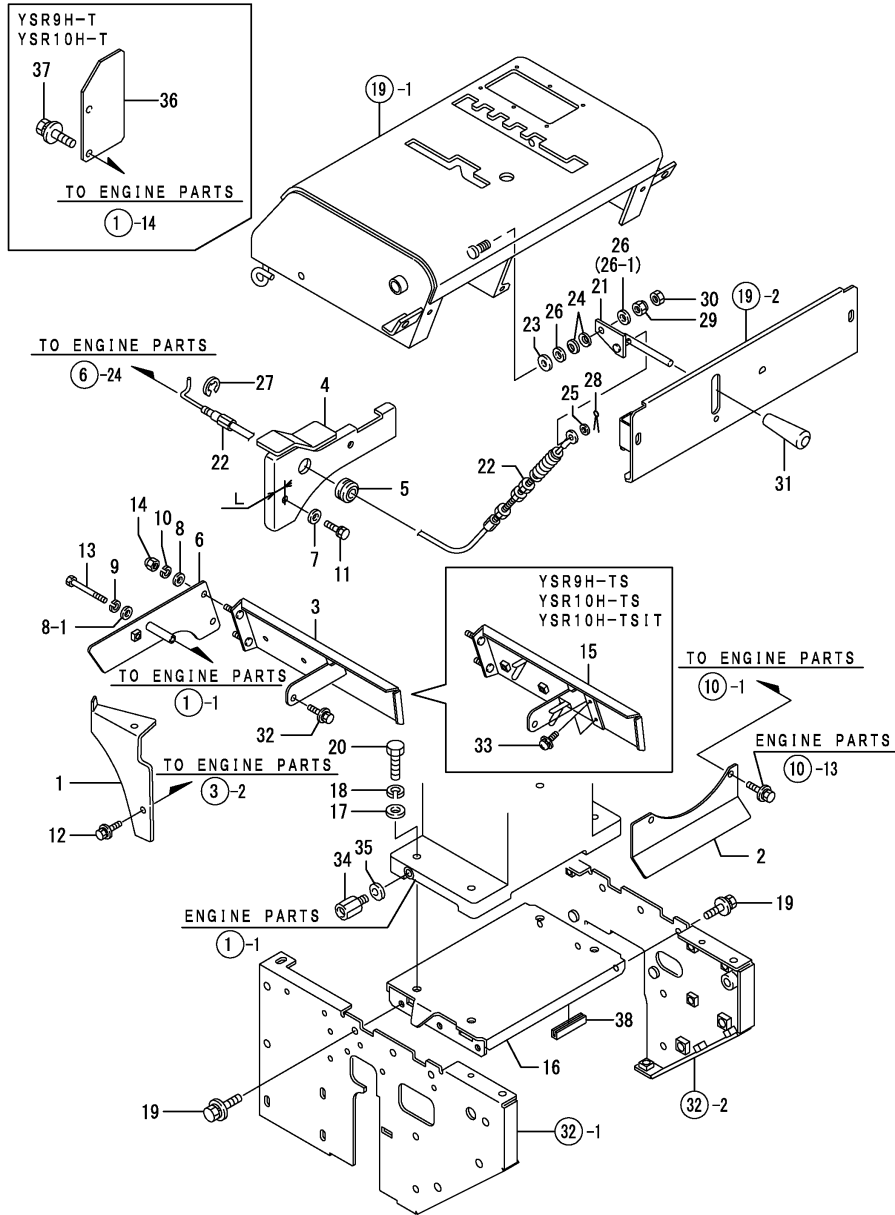
(A)=YSR9H-T
(B)=YSR9H-TS
(C)=YSR10H-T
(D)=YSR10H-TS
(E)=YSR10H-TSIT
(F)=

REF.	LEV.	PARTS NO.	DESCRIPTION	QTY						I	R
				(A)	(B)	(C)	(D)	(E)	(F)		
1	1	1N1723-00061	COVER B,AMXILIARY	1	1	1	1	1			
2	1	1N3021-00100	COVER,RECOIL	1	1	1	1	1			
3	1	1N3021-00300	BRACKET,ELECTRIC	1		1					
I	3-1	1 1N3021-00301 (A=F010007)	BRACKET, ELECTRIC (C=F010001)	1		1					N
4	1	1N1723-00330	COVER A,AUXILIARY	1	1	1	1	1			
I	4-1	1 1N1723-00331 (A=F010290)	COVER (B=F010516) (C=F010008)	1	1	1	1	1			S 1
5	1	1N1723-00350	GROMMET BG-12-1	1	1	1	1	1			
6	1	1N3021-00460	COVER,ELECTRIC	1	1	1	1	1			
7	1	1J3999-02010	WASHER 6	2	2	2	2	2			
8	1	22137-060000	WASHER 6, POLISHED	2	2	2	2				
I	8-1	1 22137-060000 (A=F010001)	WASHER 6, POLISHED (B=F010001) (C=F010001)	3	3	3	3	3			K
9	1	22217-060000	SPRING WASHER 6	1	1	1	1	1			
10	1	22217-060000	SPRING WASHER 6	2	2	2	2	2			
11	1	26016-060204	BOLT M 6X 20	2	2	2	2	2			
12	1	26018-060124	BOLT M 6X 12	2	2	2	2	2			
13	1	26117-060552	BOLT M 6X 55 PLATED	1	1	1	1	1			
14	1	26657-060002	CAP NUT M 6	2	2	2	2	2			
15	1	1N3021-00400	BRACKET,ELECTRIC			1		1			
I	15-1	1 1N3021-00401 (B=F010005)	BRACKET, ELECTRIC (D=F010057)			1		1			N
16	1	1N3021-01000	BASE,ENGINE	1	1	1	1	1			
I	16-1	1 1N3021-01001 (A=F010021)	MOUNTING METAL (B=F010036) (C=F010003)	1	1	1	1	1			N
17	1	22137-100000	WASHER 10,POLISHED	4	4	4	4	4			
18	1	22217-100000	SPRING WASHER 10	4	4	4	4	4			
19	1	26018-080202	BOLT M 8X 20	6	6	6	6	6			
I	19-1	1 26018-080162 (A=F010001)	BOLT M 8X 16 (B=F010001) (C=F010001)	6	6	6	6	6			R
20	1	26116-100402	BOLT 10X 40	4	4	4	4	4			
21	1	1N3021-02100	LEVER,ACCELERATOR	1	1	1	1	1			
22	1	1N3021-02150	WIRE COMP.,ACCEL.	1	1	1	1	1			
23	1	1J3999-02170	WASHER 8X20X3.2	1	1	1	1	1			
24	1	1N1570-51130	SPRING,BELLEVILLE	2	2	2	2	2			
25	1	22117-060000	WASHER 6	1	1	1	1	1			
26	1	22137-080000	WASHER 8, POLISHED	2	2	2	2				
I	26-1	1 22137-080000 (A=F010001)	WASHER 8, POLISHED (B=F010001) (C=F010001)	1	1	1	1	1			K
27	1	22272-000050	CIRCLIP E- 5	1	1	1	1	1			
28	1	22417-160100	COTTER PIN	1	1	1	1	1			
29	1	26347-080002	U-NUT M 8	1	1	1	1	1			
30	1	26717-080002	NUT 8	1	1	1	1	1			
31	1	1A1140-58050	GRIP, STAND	1	1	1	1	1			
I	32	1 26018-060124 (A=F010001)	BOLT M 6X 12 (B=F010001) (C=F010001)	1	1	1	1	1			W
I	33	1 26023-040062 (B=F010001)	SCREW M 4X6 (D=F010001)			2		2			W
I	34	1 1N3021-00250 (A=F010021)	JOINT,WASTE OIL (B=F010036) (C=F010003)	1	1	1	1	1			W

Remarks

(1) L= REF.NO.4 16M/M, 4-1 10M/M.

Fig.13. ENGINE RELATED

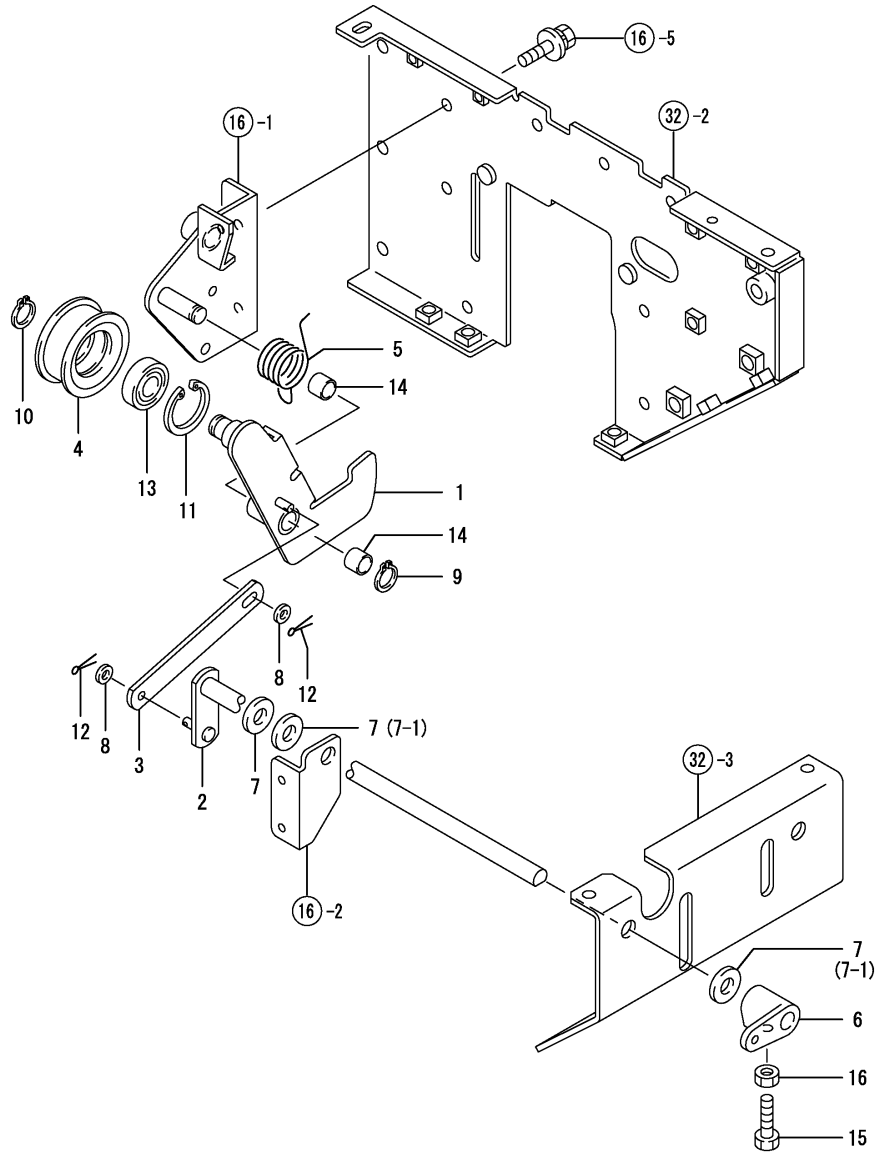


(A)=YSR9H-T
 (B)=YSR9H-TS
 (C)=YSR10H-T
 (D)=YSR10H-TS
 (E)=YSR10H-TSIT
 (F)=

REF.	LEV.	PARTS NO.	DESCRIPTION	QTY						I	R
				(A)	(B)	(C)	(D)	(E)	(F)		
I	35	1 22190-120000 (A=F010021) (B=F010036)	SEAL WASHER 12(BOLT) (C=F010003) (D=F010208)	1	1	1	1	1			W
I	36	1 1N3021-00200 (A=F010290)	(C=F010008)	1		1					W
I	37	1 26018-080164	BOLT M 8X 16	2		2					W
I	38	1 1S6487-06600 (A=F010007) (B=F010005)	RUBBER 50,EDGE (C=F010001) (D=F010057)	1	1	1	1	1			W

Remarks
 (1) L= REF.NO.4 16M/M, 4-1 10M/M.

Fig.14. TRAVEL TENSION



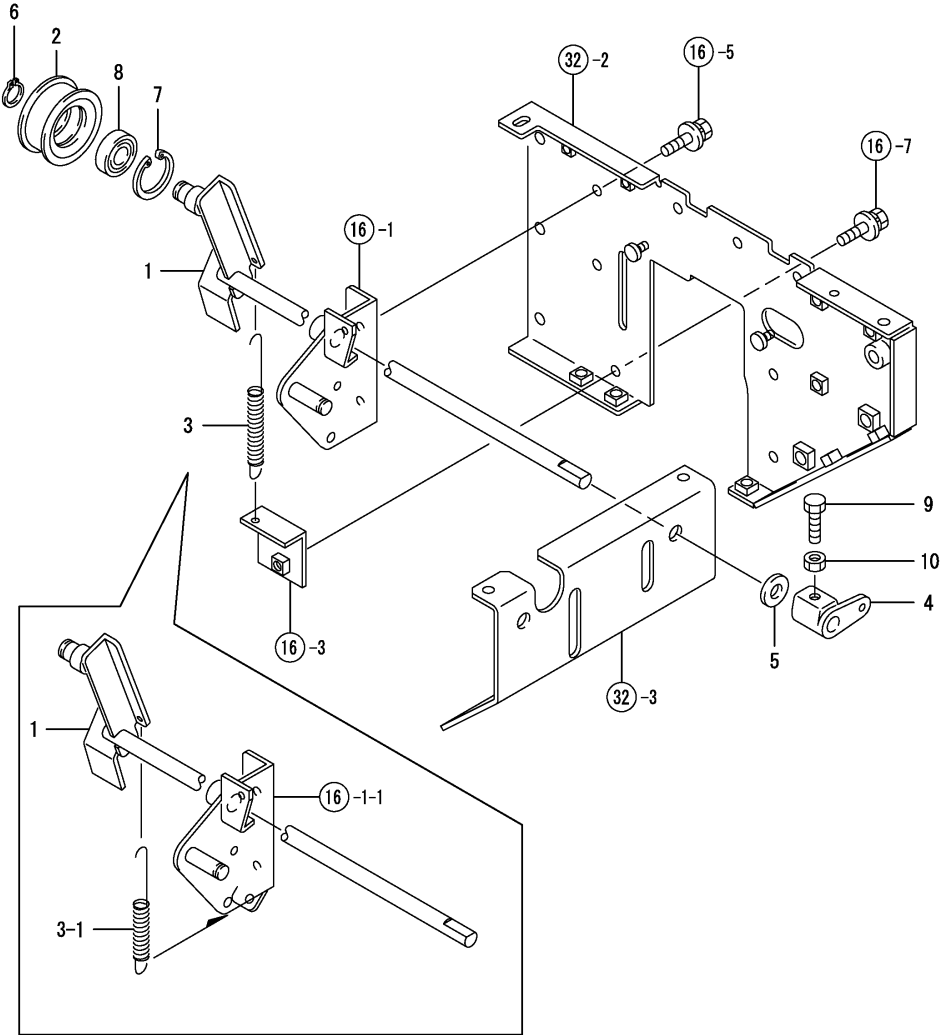
OCNP3-G50900 14. TRAVEL TENSION

(A)=YSR9H-T
(B)=YSR9H-TS
(C)=YSR10H-T

(D)=YSR10H-TS
(E)=YSR10H-TSIT
(F)=

REF.	LEV.	PARTS NO.	DESCRIPTION	Q'TY						I	R
				(A)	(B)	(C)	(D)	(E)	(F)		
1	1	1N3021-11100	TENSION,TRAVEL	1	1	1	1				
I	1-1	1N3021-11101		1	1	1	1	1			N
		(A=F010007) (B=F010005) (C=F010001) (D=F010072)									
2	1	1N3021-11150	LINK,TRAVEL TENSION	1	1	1	1	1			
3	1	1N3021-11200	PLATE,CONNECTING	1	1	1	1	1			
4	1	1N3021-11240	PULLEY 63,TENSION	1	1	1	1	1			
5	1	1N3021-11260	SPRING 26,TORSION	1	1	1	1	1			
6	1	1N1710-12241	PLATE A,CAM	1	1	1	1	1			
7	1	22117-120000	WASHER 12	3	3	3	3				
I	7-1	22117-120000	WASHER 12	2	2	2	2	2			K
		(A=F010007) (B=F010005) (C=F010001) (D=F010072)									
8	1	22137-060000	WASHER 6, POLISHED	2	2	2	2	2			
9	1	22242-000120	CIRCLIP 12	1	1	1	1	1			
10	1	22242-000150	CIRCLIP 15	1	1	1	1	1			
11	1	22252-000350	CIRCLIP 35	1	1	1	1	1			
12	1	22417-160100	COTTER PIN	2	2	2	2	2			
13	1	24107-062024	BALL BEARING	1	1	1	1	1			
14	1	24550-012120	DRY BUSH 12X12	2	2	2	2	2			
15	1	26116-080254	BOLT M 8X 25 PLATED	1	1	1	1	1			
16	1	26717-080002	NUT 8	1	1	1	1	1			

Fig.15. SNOW REMOVING TENSION



0CNP3-G50900 15. SNOW REMOVING TENSION

(A)=YSR9H-T
(B)=YSR9H-TS
(C)=YSR10H-T

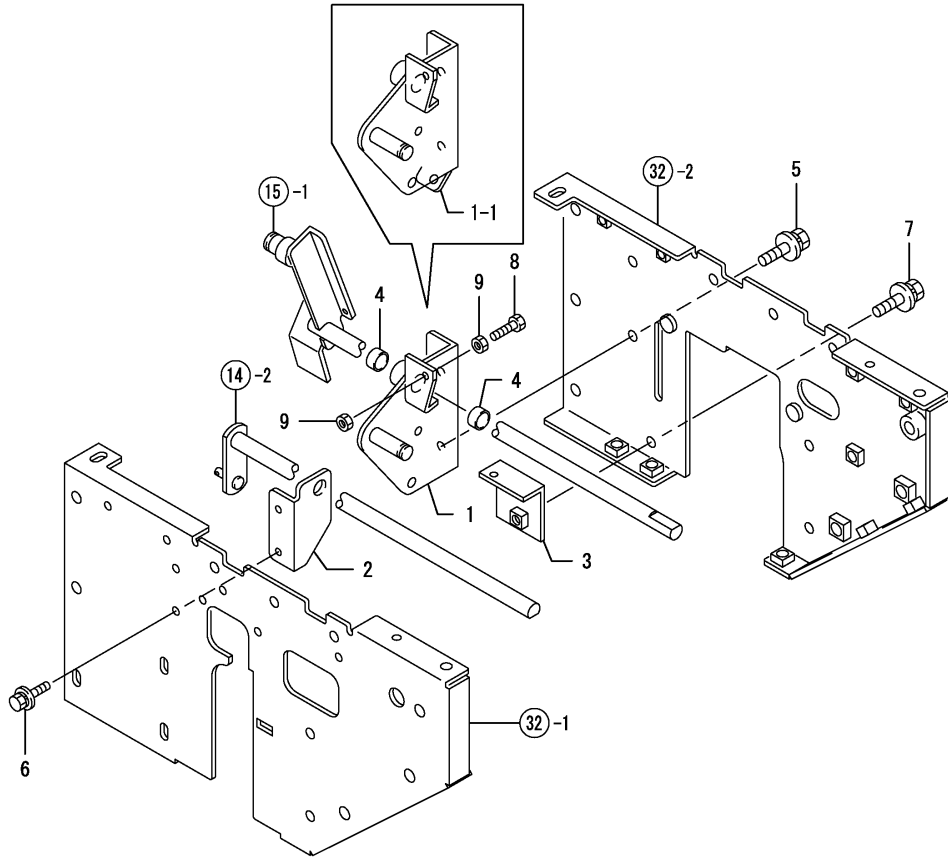
(D)=YSR10H-TS
(E)=YSR10H-TSIT
(F)=

REF.	LEV.	PARTS NO.	DESCRIPTION	QTY						I	R
				(A)	(B)	(C)	(D)	(E)	(F)		
1	1	1N3021-11000	TENSION,BLOWER	1	1	1	1	1			
2	1	1N3021-11240	PULLEY 63,TENSION	1	1	1	1	1			
3	1	1N3021-11250	SPRING 11X135	1	1	1	1	1			
I	3-1	1N3021-11251	SPRING 11X110	1	1	1	1	1			S
		(A=F010007)	(B=F010005)	(C=F010001)	(D=F010072)						
4	1	1N1710-12241	PLATE A,CAM	1	1	1	1	1			
5	1	22117-120000	WASHER 12	1	1	1	1	1			
6	1	22242-000150	CIRCLIP 15	1	1	1	1	1			
7	1	22252-000350	CIRCLIP 35	1	1	1	1	1			
8	1	24107-062024	BALL BEARING	1	1	1	1	1			
9	1	26116-080254	BOLT M 8X 25 PLATED	1	1	1	1	1			
10	1	26717-080002	NUT 8	1	1	1	1	1			

Fig.16. TENSION FULCRUM

(A)=YSR9H-T
(B)=YSR9H-TS
(C)=YSR10H-T

(D)=YSR10H-TS
(E)=YSR10H-TSIT
(F)=

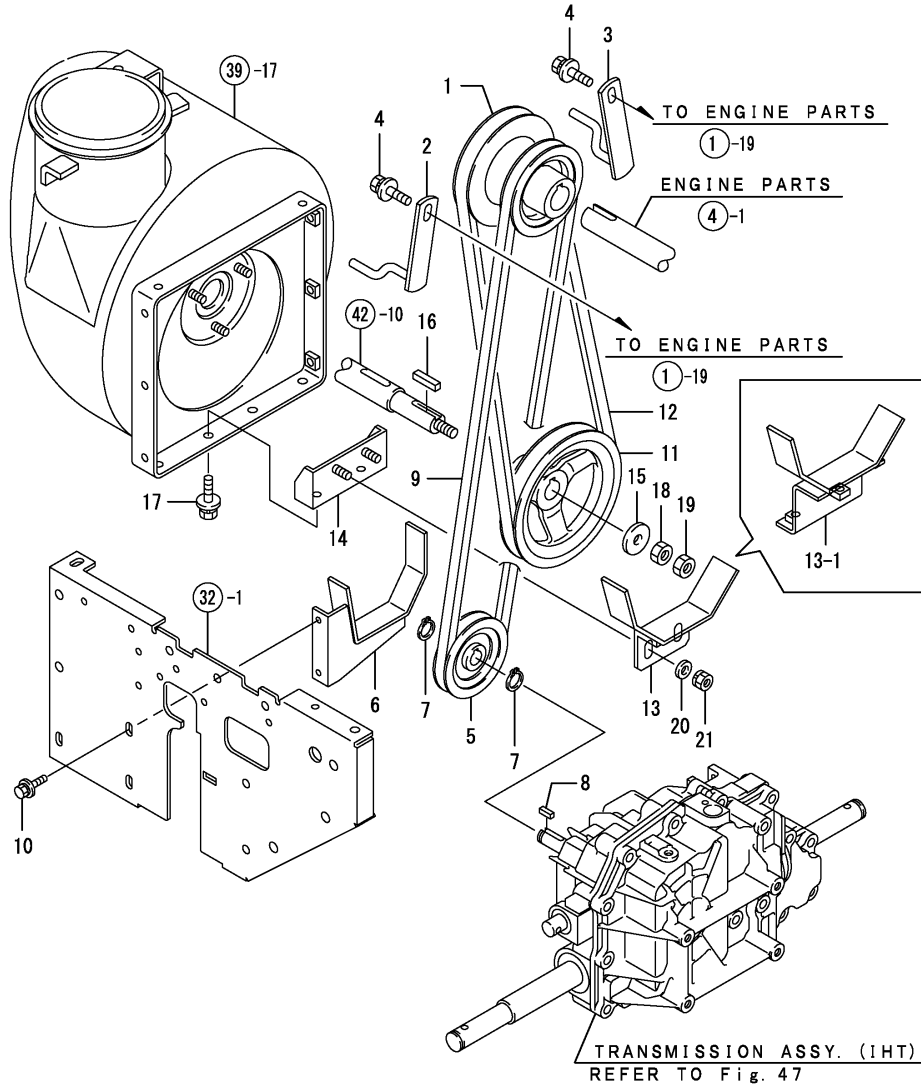


REF.	LEV.	PARTS NO.	DESCRIPTION	Q'TY						I	R
				(A)	(B)	(C)	(D)	(E)	(F)		
1	1	1N3021-11300	FULCRUM,TENSION	1	1	1	1				
I	1-1	1N3021-11301	FULCRUM, TENSION	1	1	1	1	1			S
		(A=F010007) (B=F010005) (C=F010001) (D=F010072)									
2	1	1N3021-11350	FULCRUM,TRAV.TENSION	1	1	1	1				
I	2-1	1N3021-11351	FULCRUM,TRAV.TENSION	1	1	1	1	1			N
		(A=F010007) (B=F010005) (C=F010001) (D=F010072)									
I	3	1N3021-11400	SHOE,TENSION SPRING	1	1	1	1				Z
		(A=F010007) (B=F010005) (C=F010001) (D=F010072)									
4	1	24550-013080	BEARING 13* 8	2	2	2	2	2			
5	1	26018-080162	BOLT M 8X 16	2	2	2	2	2			
6	1	26018-060164	BOLT M 6X 16	2	2	2	2	2			
I	7	26018-080162	BOLT M 8X 16	1	1	1	1				Z
		(A=F010007) (B=F010005) (C=F010001) (D=F010072)									
8	1	26117-060254	BOLT M 6X 25 PLATED	1	1	1	1	1			
9	1	26717-060002	NUT M 6	2	2	2	2	2			

Fig.17. ENGINE PULLEY & BELT

(A)=YSR9H-T
(B)=YSR9H-TS
(C)=YSR10H-T

(D)=YSR10H-TS
(E)=YSR10H-TSIT
(F)=

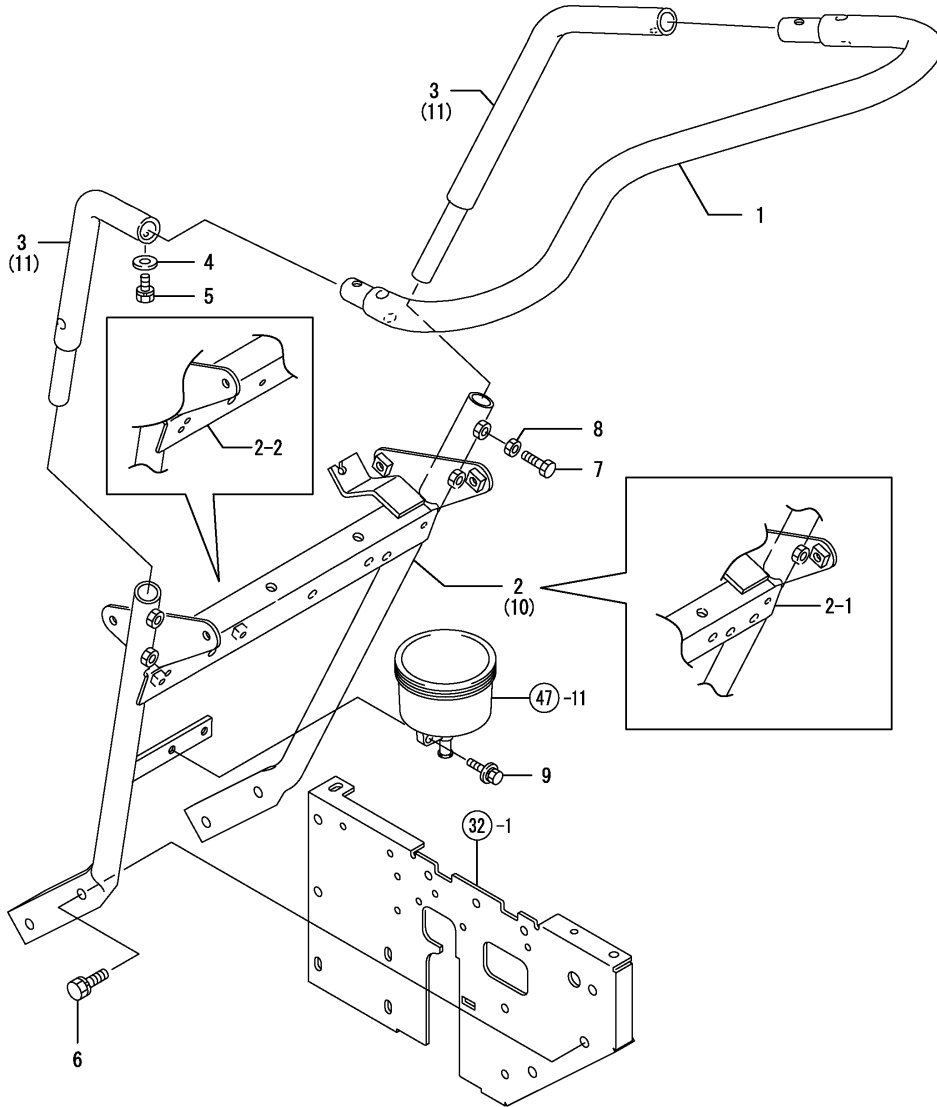


REF.	LEV.	PARTS NO.	DESCRIPTION	QTY						I	R
				(A)	(B)	(C)	(D)	(E)	(F)		
1	1	1N3021-12000	PULLEY,ENGINE	1	1	1	1	1			
2	1	1N3021-12100	RETAINER A,BELT	1	1	1	1	1			
3	1	1N3021-12150	RETAINER B,BELT	1	1	1	1	1			
4	1	26018-080162	BOLT M 8X 16	2	2	2	2	2			
5	1	1N3021-12020	PULLEY 85A	1	1	1	1	1			
6	1	1N3021-12300	GUIDE B,BELT	1	1	1	1	1			
7	1	22242-000150	CIRCLIP 15	2	2	2	2	2			
8	1	22512-050150	KEY 5X 15	1	1	1	1	1			
I	8-1	1	22550-050201	KEY 5X20	1	1	1	1	1		N
		(A=F010007)	(B=F010005)	(C=F010001)	(D=F010057)						
9	1	25122-002901	V-BELT	1	1	1	1	1			
10	1	26018-060164	BOLT M 6X 16	2	2	2	2	2			
11	1	1N3021-12010	PULLEY 144B	1	1	1	1	1			
12	1	1N3021-12050	V-BELT LB31-AG6	1	1	1	1	1			
13	1	1N3021-12200	GUIDE A,BELT	1	1	1	1	1			
I	13-1	1	1N3021-12201	GUIDE A,BELT	1	1	1	1	1		S
		(A=F010007)	(B=F010005)	(C=F010001)	(D=F010072)						
I	14	1	1N1711-13201	STAY,GUIDE	1	1	1	1	1		Z
		(A=F010007)	(B=F010005)	(C=F010001)	(D=F010072)						
15	1	1C6320-24440	WASHER 10.5X32X4.5	1	1	1	1	1			
16	1	22550-070300	KEY 7X30	1	1	1	1	1			
17	1	26018-080164	BOLT M 8X 16	2	2	2	2	2			
18	1	26715-100002	NUT 10	1	1	1	1	1			
I	18-1	1	26717-100002	NUT M10	1	1	1	1	1		R
		(A=F010001)	(B=F010001)	(C=F010001)	(D=F010001)						
19	1	26717-100002	NUT M10	1	1	1	1	1			
I	20	1	22137-080000	WASHER 8, POLISHED	2	2	2	2	2		Z
		(A=F010007)	(B=F010005)	(C=F010001)	(D=F010072)						
I	21	1	26051-080002	NUT M 8	2	2	2	2	2		Z
		(A=F010007)	(B=F010005)	(C=F010001)	(D=F010072)						

Fig.18. HANDLE

(A)=YSR9H-T
(B)=YSR9H-TS
(C)=YSR10H-T

(D)=YSR10H-TS
(E)=YSR10H-TSIT
(F)=

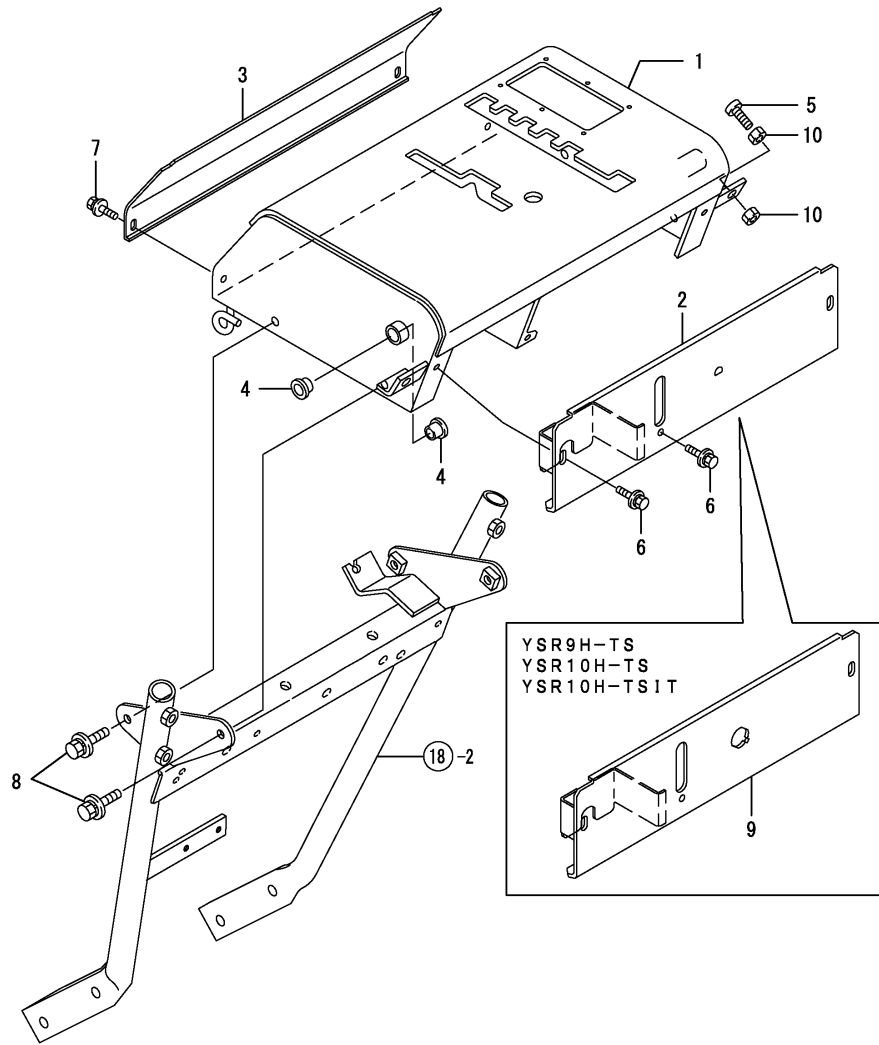


REF.	LEV.	PARTS NO.	DESCRIPTION	QTY						I	R
				(A)	(B)	(C)	(D)	(E)	(F)		
1	1	1N3021-30000	T-HANDLE	1	1	1	1	1			
2	1	1N3021-30100	FRAME,HANDLE	1	1	1	1				
I	2-1	1N3021-30101	FRAME,HANDLE	1	1	1	1				S
I	2-2	(A=F010007) 1N3021-30102	(B=F010005) FRAME,HANDLE (C=F010001) (D=F010057)	1	1	1	1				S
3	1	1N3021-30200	CONNECTOR,HANDLE	2	2	2	2				
4	1	22117-080000	WASHER 8	2	2	2	2	2			
5	1	26016-080164	BOLT M 8X 16	2	2	2	2	2			
6	1	26016-100254	BOLT M10X 25	4	4	4	4	4			
7	1	26116-080202	BOLT M 8X 20 PLATED	4	4	4	4	4			
8	1	26717-080002	NUT 8	4	4	4	4	4			
9	1	26018-060202	BOLT M 6X 20	2	2	2	2	2			
I	10	1N3021-30102-1	FRAME,HANDLE								1
I	11	1N3021-30200-1	CONNECTOR,HANDLE								2

Fig.19. CONTROL PANEL

(A)=YSR9H-T
(B)=YSR9H-TS
(C)=YSR10H-T

(D)=YSR10H-TS
(E)=YSR10H-TSIT
(F)=



REF.	LEV.	PARTS NO.	DESCRIPTION	QTY						I	R
				(A)	(B)	(C)	(D)	(E)	(F)		
1	1	1N3021-30300	PANEL,CONTROL	1	1	1	1	1			
2	1	7N3021-30500	PL.AS.,CNTRL.PNL.RR.	1		1					
3	1	1N3021-30650	PANEL,CONTROL FRONT	1	1	1	1	1			
4	1	1S6000-61220	BUSH,COLLAR	4	4	4	4	4			
5	1	26167-080202	BOLT M 8X 20 PLATED	2	2	2	2				
I 5-1	1	1N3021-30550	RUBBER,STOPPER	2	2	2	2	2		N	
		(A=F010007)	(B=F010005)	(C=F010001)	(D=F010057)						
6	1	26018-060164	BOLT M 6X 16	3	3	3	3				
I 6-1	1	26018-060124	BOLT M 6X 12	3	3	3	3	3		R	
		(A=F010001)	(B=F010001)	(C=F010001)	(D=F010001)						
7	1	26018-060164	BOLT M 6X 16	2	2	2	2				
I 7-1	1	26018-060124	BOLT M 6X 12	2	2	2	2	2		R	
		(A=F010001)	(B=F010001)	(C=F010001)	(D=F010001)						
8	1	26018-080162	BOLT M 8X 16	4	4	4	4	4			
9	1	7N3021-30600	PL.AS.,CNTRL.PNL.RR.			1	1	1			
I 10	1	26717-080002	NUT 8	4	4	4	4	4		Z	
		(A=F010007)	(B=F010005)	(C=F010001)	(D=F010057)						

Fig.20. TRAVEL DEADMAN

(A)=YSR9H-T
(B)=YSR9H-TS
(C)=YSR10H-T

(D)=YSR10H-TS
(E)=YSR10H-TSIT
(F)=

REF.	LEV.	PARTS NO.	DESCRIPTION	Q'TY						I	R
				(A)	(B)	(C)	(D)	(E)	(F)		
1	1	1N3021-31000	LEVER,TRAV.DEADMAN	1	1	1	1				
I	1-1	1N3021-31001		1	1	1	1	1			N
		(A=F010007)	(B=F010007)	(C=F010001)	(D=F010154)						
2	1	1N3021-31100	ARM L,DEADMAN	1	1	1	1	1			
3	1	1N3021-31200	SHAFT,TRAVEL CLUTCH	1	1	1	1	1			
4	1	198255-83500	BOLT M6X16,BC	3	3	3	3	3			
5	1	22117-100000	WASHER 10	1	1	1	1	1			
6	1	22117-120000	WASHER 12	1	1	1	1	1			
7	1	22137-080000	WASHER 8, POLISHED	2	2	2	2	2			
8	1	26051-080002	NUT M 8	1	1	1	1	1			
9	1	26117-080254	BOLT M 8X 25 PLATED	1	1	1	1	1			
10	1	26167-060252	WELD,BOLT 6* 25	1	1	1	1	1			
11	1	26347-080002	U-NUT M 8	1	1	1	1	1			
12	1	26717-060002	NUT M 6	1	1	1	1	1			

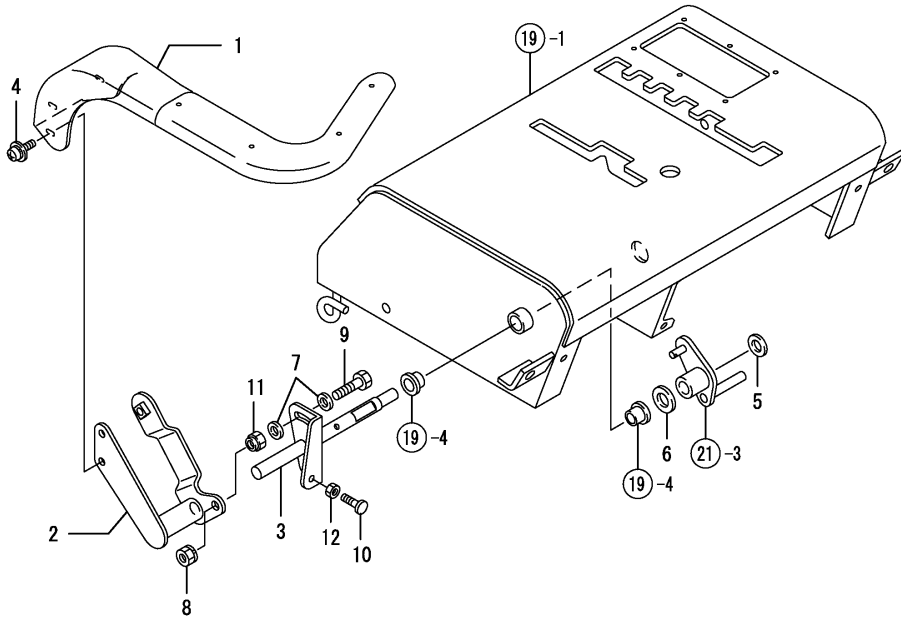
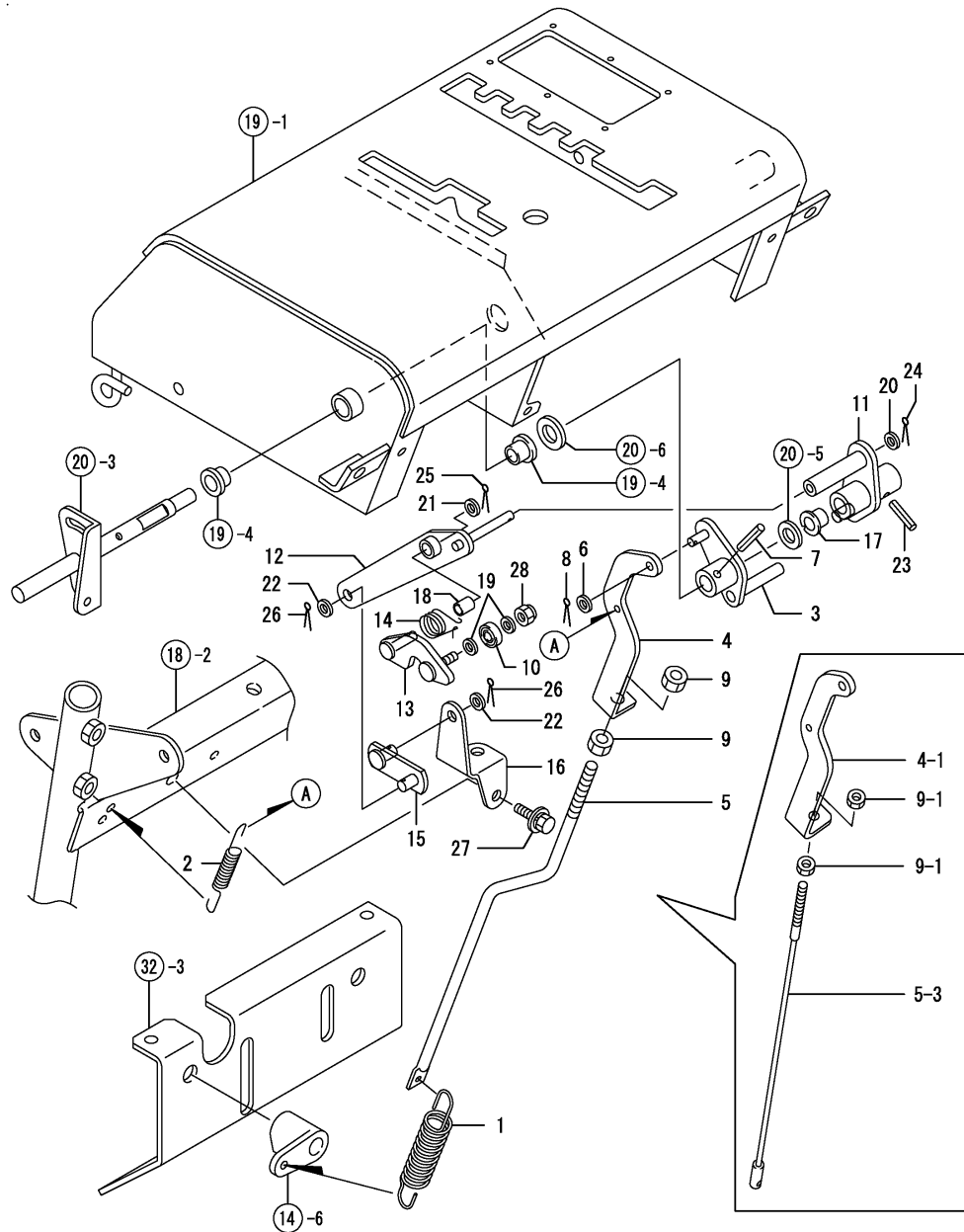


Fig.21. TRAVEL CLUCH



OCNP3-G50900 21. TRAVEL CLUCH

(A)=YSR9H-T
(B)=YSR9H-TS
(C)=YSR10H-T
(D)=YSR10H-TS
(E)=YSR10H-TSIT
(F)=

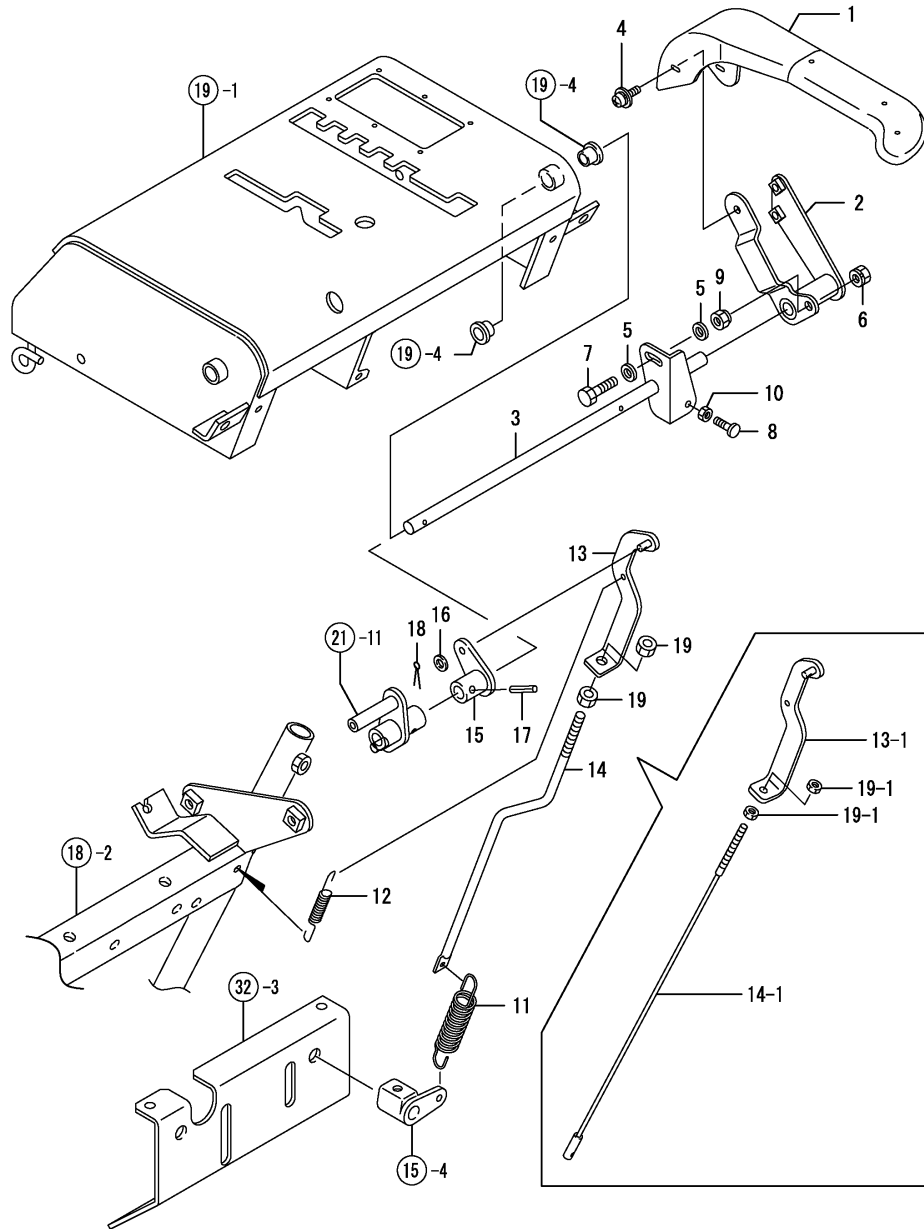
REF.	LEV.	PARTS NO.	DESCRIPTION	QTY						I	R
				(A)	(B)	(C)	(D)	(E)	(F)		
1	1	1N1713-31010	SPRING 19X90	1	1	1	1				
I 1-1	1	1N3021-31080		1	1	1	1	1			N
		(A=F010007) (B=F010005) (C=F010001) (D=F010072)									
2	1	1N3021-31090	SPRING 9X95	1	1	1	1	1			
3	1	1N3021-31250	ARM,TRAVEL CLUTCH	1	1	1	1				
I 3-1	1	1N3021-31251	ARM,TRAVEL CLUTCH	1	1	1	1	1			N
		(A=F010007) (B=F010007) (C=F010001) (D=F010154)									
4	1	1N3021-31600	PLATE,TRAV.CONNECTG	1	1	1	1				
I 4-1	1	1N3021-31601	PLATE,TRAV.CONNECTG	1	1	1	1	1			S
		(A=F010007) (B=F010005) (C=F010001) (D=F010072)									
5	1	1N3021-31650	ROD,CLUTCH CONNECTG	1	1	1	1				
I 5-1	1	1N3021-31670	ROD B	1	1	1	1				N
		(A=F010001) (B=F010001) (C=F010001) (D=F010001)									
I 5-2	1	1N3021-31671	ROD B	1	1	1	1				N
		(A=F010006) (B=F010005) (C=F010001) (D=F010057)									
I 5-3	1	1N3021-31651	WIRE,CLUTCH ADJUST	1	1	1	1	1			S
		(A=F010007) (B=F010005) (C=F010001) (D=F010072)									
6	1	22117-060000	WASHER 6	1	1	1	1	1			
7	1	22351-050020	SPRING PIN 5X20	1	1	1	1	1			
8	1	22417-160100	COTTER PIN	1	1	1	1	1			
9	1	26717-080002	NUT 8	2	2	2	2				
I 9-1	1	26717-060002	NUT M 6	2	2	2	2	2			S
		(A=F010007) (B=F010005) (C=F010001) (D=F010072)									
10	1	1J3999-06000	BEARING 626-2NSL	1	1	1	1	1			
11	1	1N3021-31350	ARMCLUTCH LOCK	1	1	1	1				
I 11-1	1	1N3021-31351	ARMCLUTCH LOCK	1	1	1	1	1			N
		(A=F010007) (B=F010005) (C=F010001) (D=F010072)									
12	1	1N3021-31400	CATCH,LOCK CLAW	1	1	1	1	1			
13	1	1N3021-31450	CLAW,CLUTCH LOCK	1	1	1	1				
I 13-1	1	1N3021-31451	CLAW,CLUTCH LOCK	1	1	1	1	1			N
		(A=F010001) (B=F010001) (C=F010001) (D=F010037)									
14	1	1N3021-31480	SPRING,LOCK CLAW	1	1	1	1	1			
15	1	1N3021-31500	GUIDE,LOCK CLAW	1	1	1	1	1			
16	1	1N3021-31550	SEAT,LOCK CLAW GUIDE	1	1	1	1	1			
17	1	1N3021-31580	BUSH 10X15,FLANGED	1	1	1	1	1			
18	1	1C1011-45020	BUSH 6X8X10	1	1	1	1	1			
19	1	22117-060000	WASHER 6	2	2	2	2	2			
20	1	22117-060000	WASHER 6	1	1	1	1	1			
21	1	22117-080000	WASHER 8	1	1	1	1				
I 21-1	1	22117-060000	WASHER 6	1	1	1	1	1			N
		(A=F010001) (B=F010001) (C=F010001) (D=F010001)									
22	1	22117-080000	WASHER 8	2	2	2	2	2			
23	1	22351-050020	SPRING PIN 5X20	1	1	1	1	1			
24	1	22417-160100	COTTER PIN	1	1	1	1	1			
25	1	22417-200160	COTTER PIN 2.0X16	1	1	1	1				
I 25-1	1	22417-160100	COTTER PIN	1	1	1	1	1			N
		(A=F010001) (B=F010001) (C=F010001) (D=F010001)									
26	1	22417-200160	COTTER PIN 2.0X16	2	2	2	2	2			
27	1	26018-080164	BOLT M 8X 16	2	2	2	2				
I 27-1	1	26016-080164	BOLT M 8X 16	2	2	2	2	2			R
		(A=F010001) (B=F010001) (C=F010001) (D=F010001)									

N:Old $\xrightarrow{\text{Yes}}$ New, Q:Old $\xrightarrow{\text{No}}$ New, R:Old $\xrightarrow{\text{Yes}}$ New, S:Old $\xrightarrow{\text{No}}$ New, W:Add, Z:Discontinued, F:Interchangeable by set, K:Q'ty Change
 ++ CONTINUE ++
 (C)Copy Rights YANMAR CO.,LTD.

Fig.22. SNOW REMOVING DEADMAN & CLUTCH

(A)=YSR9H-T
(B)=YSR9H-TS
(C)=YSR10H-T

(D)=YSR10H-TS
(E)=YSR10H-TSIT
(F)=

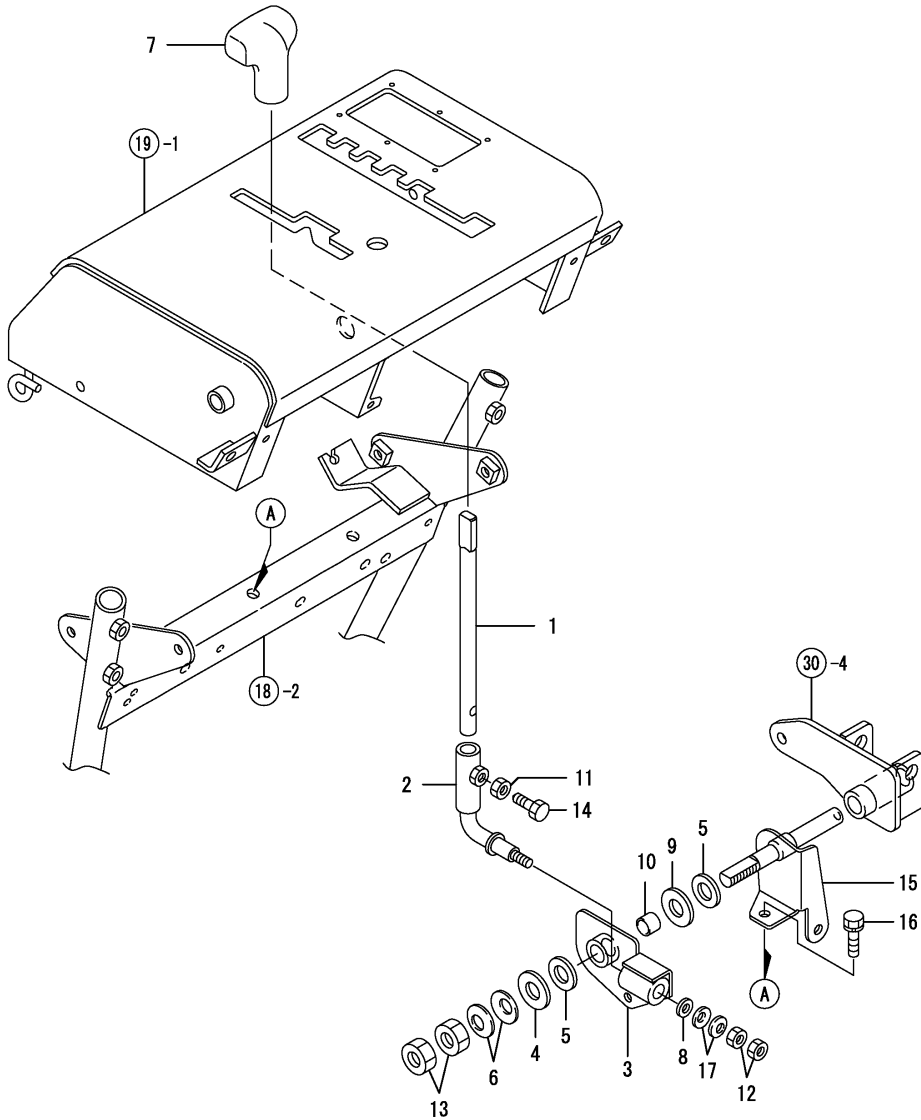


REF.	LEV.	PARTS NO.	DESCRIPTION	QTY						I	R
				(A)	(B)	(C)	(D)	(E)	(F)		
1	1	1N3021-31700	LEVER,SNOW RMV.DMAN	1	1	1	1	1			
2	1	1N3021-31750	ARM R,DEADMAN	1	1	1	1	1			
3	1	1N3021-31800	SHAFT,SNOW RMV.CLTCH	1	1	1	1	1			
4	1	198255-83500	BOLT M6X16,BC	3	3	3	3	3			
5	1	22137-080000	WASHER 8, POLISHED	2	2	2	2	2			
6	1	26051-080002	NUT M 8	1	1	1	1	1			
7	1	26117-080254	BOLT M 8X 25 PLATED	1	1	1	1	1			
8	1	26167-060252	WELD,BOLT 6* 25	1	1	1	1	1			
9	1	26347-080002	U-NUT M 8	1	1	1	1	1			
10	1	26717-060002	NUT M 6	1	1	1	1	1			
11	1	1N1713-31010	SPRING 19X90	1	1	1	1	1			
12	1	1N3021-31090	SPRING 9X95	1	1	1	1	1			
13	1	1N3021-31630	PLATE,SNOW RMV.CONN.	1	1	1	1	1			
I 13-1	1	1N3021-31631	PLATE,SNOW RMV.CONN.	1	1	1	1	1		S	
		(A=F010007)	(B=F010005)	(C=F010001)	(D=F010072)						
14	1	1N3021-31650	ROD,CLUTCH CONNECTG	1	1	1	1	1			
I 14-1	1	1N3021-31651	WIRE,CLUTCH ADJUST	1	1	1	1	1		S	
		(A=F010007)	(B=F010005)	(C=F010001)	(D=F010072)						
15	1	1N3021-31850	ARM,SNOW REMV.CLUTCH	1	1	1	1	1			
16	1	22117-060000	WASHER 6	1	1	1	1	1			
17	1	22351-050020	SPRING PIN 5X20	1	1	1	1	1			
18	1	22417-160100	COTTER PIN	1	1	1	1	1			
19	1	26717-080002	NUT 8	2	2	2	2	2			
I 19-1	1	26717-060002	NUT M 6	2	2	2	2	2		S	
		(A=F010007)	(B=F010005)	(C=F010001)	(D=F010072)						

Fig.23. CHANGE LEVER

(A)=YSR9H-T
(B)=YSR9H-TS
(C)=YSR10H-T

(D)=YSR10H-TS
(E)=YSR10H-TSIT
(F)=

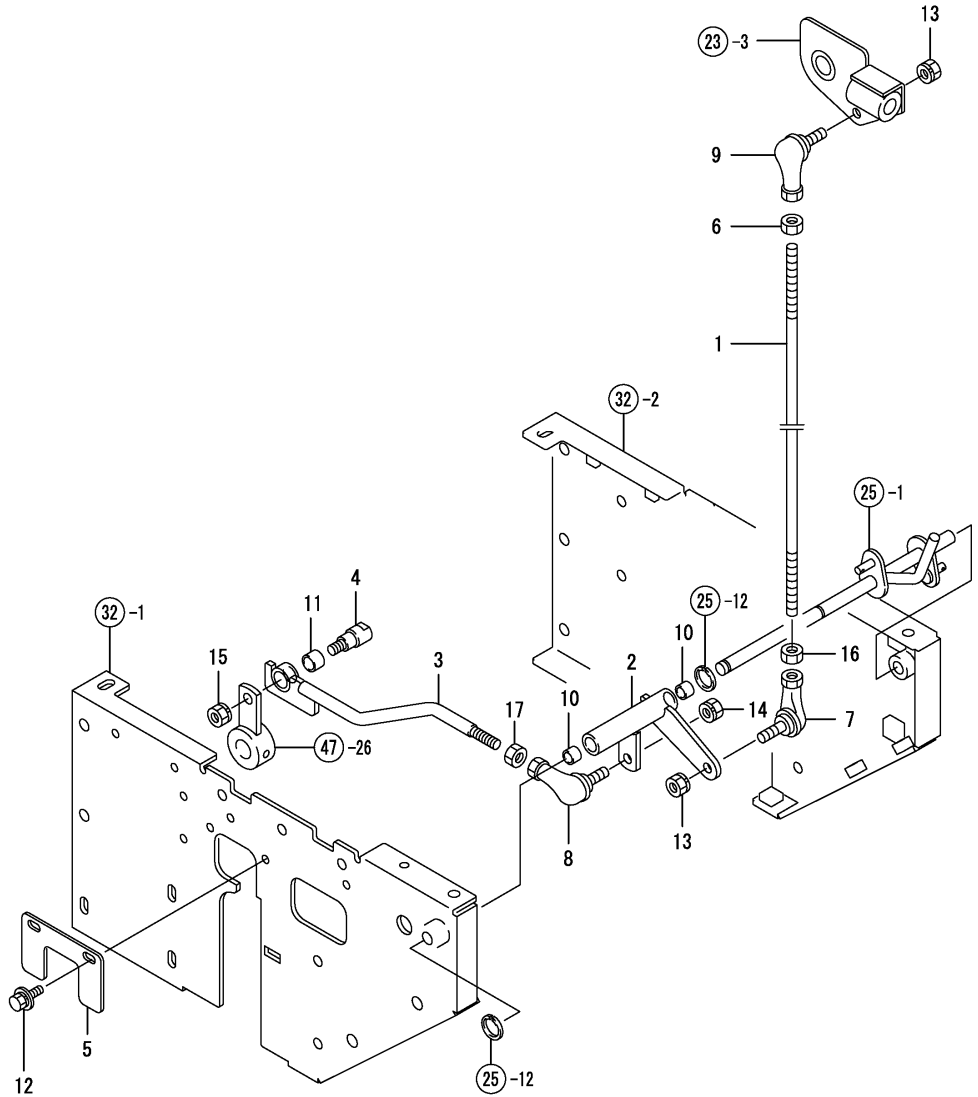


REF.	LEV.	PARTS NO.	DESCRIPTION	Q'TY						I	R
				(A)	(B)	(C)	(D)	(E)	(F)		
1	1	1N3021-32000	LEVER 1,HST	1	1	1	1	1			
2	1	1N3021-32020	LEVER 2,HST	1	1	1	1	1			
3	1	1N3021-32050	LINK,CHANGE LEVER	1	1	1	1				
I	3-1	1N3021-32051 (A=F010001) (B=F010001) (C=F010001) (D=F010007)	LINK,CHANGE LEVER	1	1	1	1				N
I	3-2	1N3021-32052 (A=F010001) (B=F010001) (C=F010001) (D=F010001)	LINK,CHANGE LEVER	1	1	1	1	1	1		R
4	1	1N1723-32350	LOCK WASHER	1	1	1	1	1			
5	1	1E6680-64240	PLATE,FRICTION	2	2	2	2	2			
I	5-1	1N3331-34050 (A=F010290) (B=F010516) (C=F010008) (D=F010608) (E=F010016)	PLATE, FRICTION	2	2	2	2	2			N
6	1	1C6320-64680	SPRING 14,BELLEVILLE	2	2	2					
7	1	1E8060-64750	GRIP 13,CHANGE LEVER	1	1	1	1	1			
8	1	22137-080000	WASHER 8, POLISHED	1	1	1	1	1			
I	9	22157-140000 (A=F010001) (B=F010001) (C=F010001) (D=F010001)	WASHER 14	1	1	1	1				Z
10	1	24550-014120	BUSH 14X12	1	1	1	1	1			
11	1	26717-080002	NUT 8	1	1	1	1	1			
12	1	26717-080002	NUT 8	2	2	2	2	2			
13	1	26737-140002	NUT M14	2	2	2	2	2			
14	1	26956-080252	BOLT M 8X25	1	1	1	1	1			
15	1	1N3021-32100	FULCRUM,CHANGE LEVER	1	1	1	1	1			
16	1	26016-080164	BOLT M 8X 16	1	1	1	1	1			
I	17	1N1570-51130 (A=F010001) (B=F010001) (C=F010001) (D=F010001)	SPRING,BELLEVILLE	2	2	2	2	2	2		W

Fig.24. CHANGE ROD

(A)=YSR9H-T
(B)=YSR9H-TS
(C)=YSR10H-T

(D)=YSR10H-TS
(E)=YSR10H-TSIT
(F)=

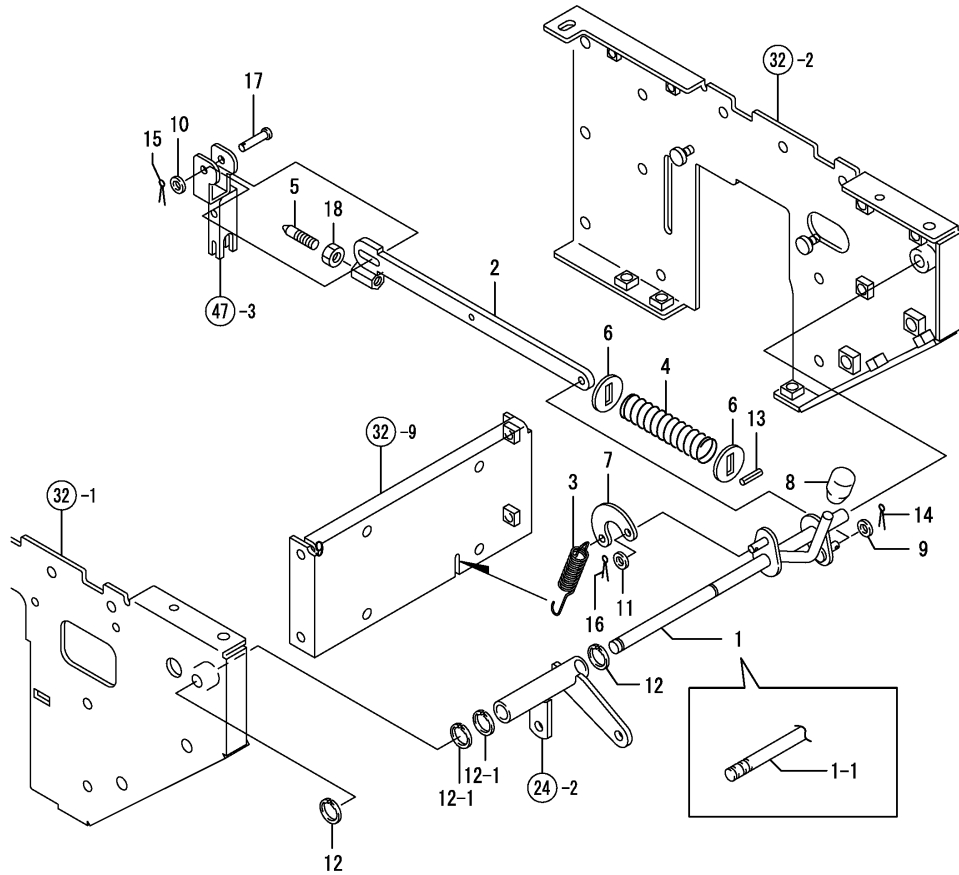


REF.	LEV.	PARTS NO.	DESCRIPTION	QTY						I	R
				(A)	(B)	(C)	(D)	(E)	(F)		
1	1	1N3021-32150	ROD,CHANGE LEVER	1	1	1	1	1			
2	1	1N3021-32200	COUNTER,CHANGE	1	1	1	1				
I 2-1	1	1N3021-32201	CHANG COUNTER	1	1	1	1	1			N
3	1	1N3021-32250	ROD,CHANGE	1	1	1	1	1			
4	1	1N3021-32350	PIN,CHANGE STOPPER	1	1	1	1	1			
5	1	1N3021-32380	STOPPER,CHANGE	1	1	1	1				
I 5-1	1	1N3021-32381	STOPPER,CHANGE	1	1	1	1	1			N
6	1	1N1570-32950	NUT 8	1	1	1	1	1			
7	1	1E4760-43090	BALL RBL8,LINK	1	1	1	1	1			
8	1	1E4760-43090	BALL RBL8,LINK	1	1	1	1	1			
9	1	1E6740-64200	BALL BL8DL, LINK	1	1	1	1	1			
10	1	24550-010100	BUSH 10X10,DRY	2	2	2	2	2			
11	1	24550-012100	BUSH 12X10	1	1	1	1	1			
12	1	26018-060124	BOLT M 6X 12	2	2	2	2	2			
13	1	26051-080002	NUT M 8	2	2	2	2	2			
14	1	26051-080002	NUT M 8	1	1	1	1	1			
15	1	26051-080002	NUT M 8	1	1	1	1	1			
16	1	26717-080002	NUT 8	1	1	1	1	1			
17	1	26717-080002	NUT 8	1	1	1	1	1			

Fig.25. BRAKE

(A)=YSR9H-T
(B)=YSR9H-TS
(C)=YSR10H-T

(D)=YSR10H-TS
(E)=YSR10H-TSIT
(F)=



REF.	LEV.	PARTS NO.	DESCRIPTION	Q'TY						I	R
				(A)	(B)	(C)	(D)	(E)	(F)		
1	1	1N3021-33000	LEVER,BRAKE	1	1	1	1				
I 1-1	1	1N3021-33001	LEVER,BRAKE	1	1	1	1	1			S
		(A=F010007) (B=F010005) (C=F010001) (D=F010072)									
2	1	1N3021-33100	ARM,BRAKE CONNECTING	1	1	1	1	1			
3	1	1N3021-33150	SPRING 20X75	1	1	1	1	1			
4	1	1N3021-33160	SPRING 20X140	1	1	1	1	1			
5	1	1N3021-33170	PIN,BRAKE CHECK	1	1	1	1	1			
6	1	1N3021-33180	SEAT,BRAKE SPRING	2	2	2	2	2			
7	1	1N3021-33200	PLATE,BRAKE LINK	1	1	1	1	1			
8	1	1E5100-51430	KNOB CLUTCH(RED)	1	1	1	1	1			
9	1	22117-060000	WASHER 6	1	1	1	1	1			
10	1	22117-060000	WASHER 6	1	1	1	1	1			
11	1	22117-060000	WASHER 6	1	1	1	1	1			
12	1	22292-000100	CIRCLIP S10	2	2	2	2				
I 12-1	1	22292-000100	CIRCLIP S10	4	4	4	4	4			K
		(A=F010007) (B=F010005) (C=F010001) (D=F010072)									
13	1	22351-050025	SPRING PIN 5X25	1	1	1	1	1			
14	1	22417-160100	COTTER PIN	1	1	1	1	1			
15	1	22417-160100	COTTER PIN	1	1	1	1	1			
16	1	22417-160100	COTTER PIN	1	1	1	1	1			
17	1	22487-060260	PIN 6X26,FLAT HEAD	1	1	1	1	1			
18	1	26717-080002	NUT 8	1	1	1	1	1			

Fig.26. CLUTCH CONTROL

(A)=YSR9H-T
(B)=YSR9H-TS
(C)=YSR10H-T

(D)=YSR10H-TS
(E)=YSR10H-TSIT
(F)=

REF.	LEV.	PARTS NO.	DESCRIPTION	Q'TY						I	R
				(A)	(B)	(C)	(D)	(E)	(F)		
1	1	1N3021-33400	RETNR.,CLUTCH SWITCH	1	1	1	1	1			
2	1	1N3021-33480	SPRING 23X33.7,TORS.	1	1	1	1	1			
3	1	22117-080000	WASHER 8	1	1	1	1	1			
4	1	22417-200120	COTTER PIN 2.0X12	1	1	1	1	1			
5	1	22487-080800	PIN 8X 80	1	1	1	1	1			
6	1	26167-060202	BOLT M6X20,WELDED	1	1	1	1	1			
7	1	26717-060002	NUT M 6	1	1	1	1	1			

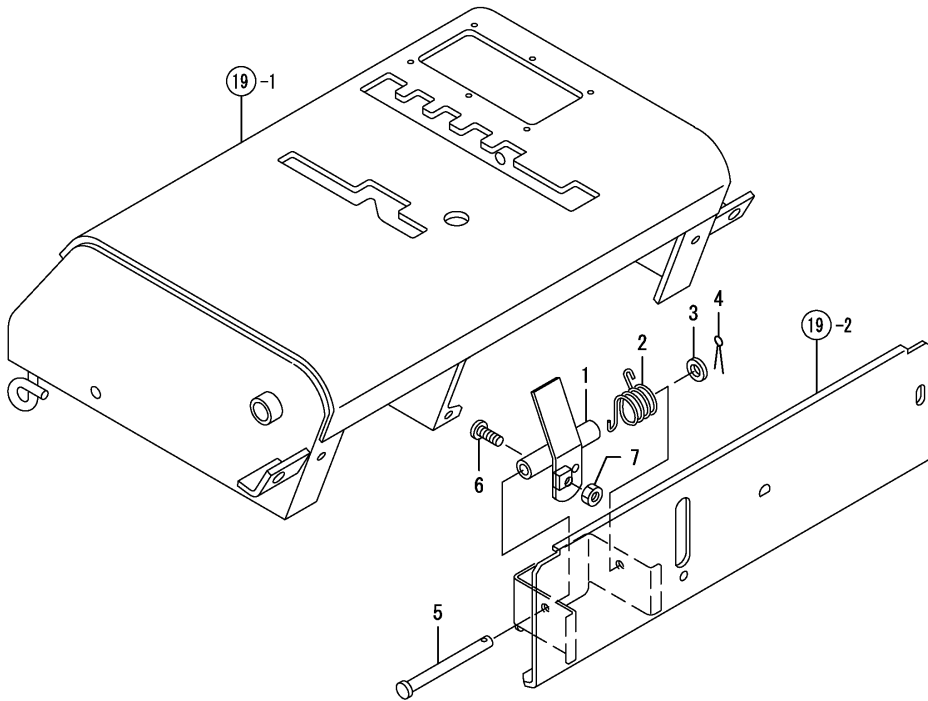
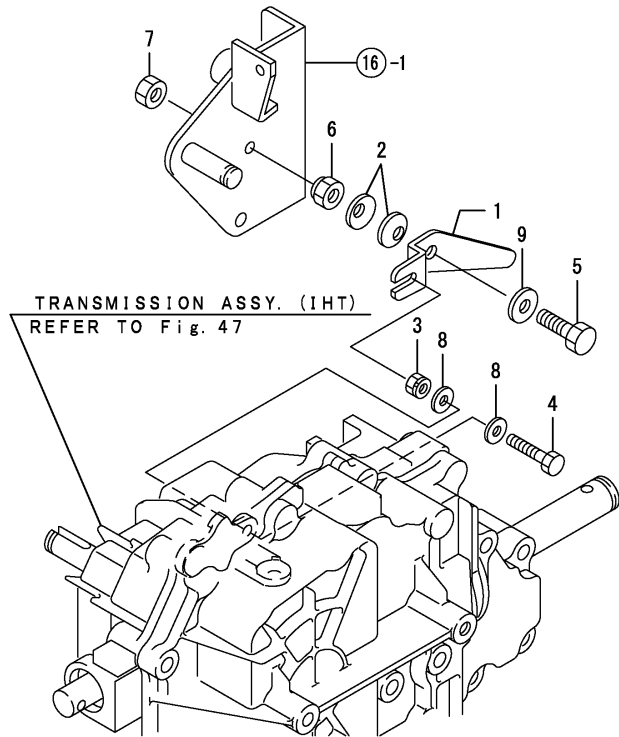


Fig.27. BYPASS LEVER

0CNP3-G50900 27. BYPASS LEVER

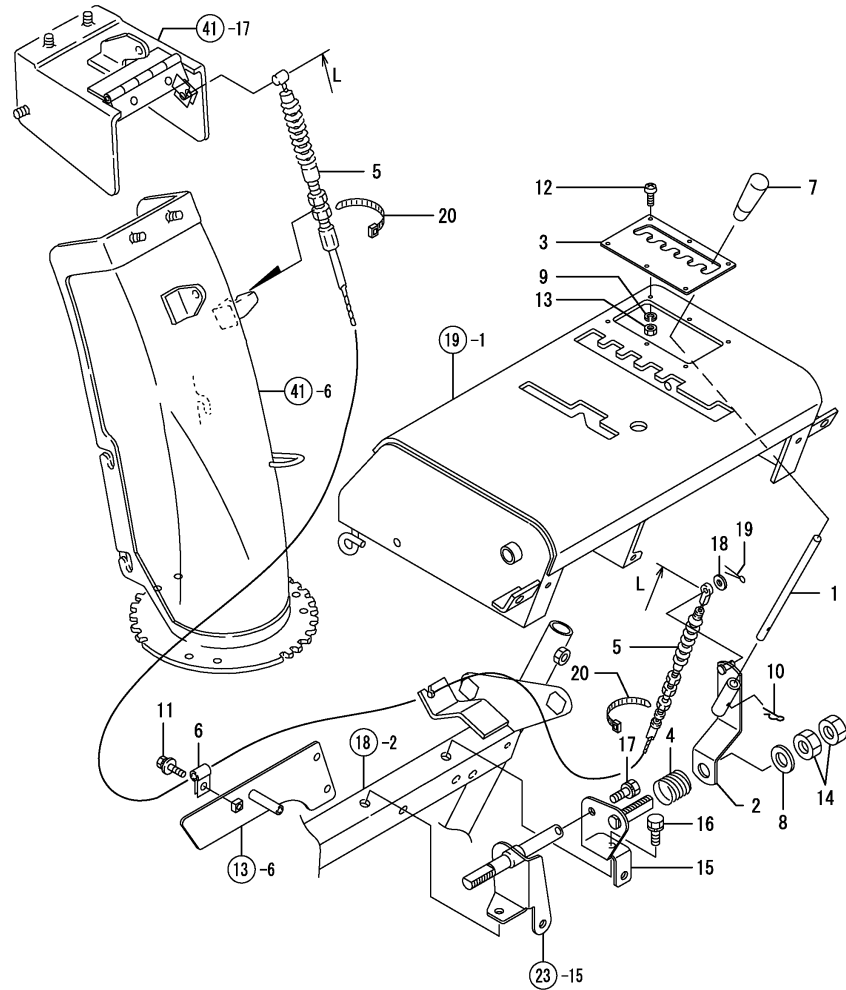
(A)=YSR9H-T
(B)=YSR9H-TS
(C)=YSR10H-T

(D)=YSR10H-TS
(E)=YSR10H-TSIT
(F)=



REF.	LEV.	PARTS NO.	DESCRIPTION	Q'TY						I	R
				(A)	(B)	(C)	(D)	(E)	(F)		
1	1	1N3021-33600	LEVER,BYPASS VALVE	1	1	1	1				
I	1-1	1N3021-33601	LEVER,BYPASS VALVE	1	1	1	1	1			N
		(A=F010007) (B=F010005) (C=F010001) (D=F010057)									
2	1	1C6560-92610	SPRING 8,BELLEVILLE	2	2	2	2	2			
3	1	26051-060002	NUT M 6	1	1	1	1				
I	3-1	26347-060002	U-NUT M 6	1	1	1	1	1			N
		(A=F010007) (B=F010005) (C=F010001) (D=F010057)									
4	1	26117-060304	BOLT M 6X 30 PLATED	1	1	1	1	1			
5	1	26117-080252	BOLT M 8X 25 PLATED	1	1	1	1	1			
6	1	26347-080002	U-NUT M 8	1	1	1	1	1			
7	1	26717-080002	NUT 8	1	1	1	1				
I	7-1	26051-080002	NUT M 8	1	1	1	1				N
		(A=F010001) (B=F010001) (C=F010001) (D=F010001)									
I	7-2	26347-080002	U-NUT M 8	1	1	1	1	1			N
		(A=F010007) (B=F010005) (C=F010001) (D=F010057)									
I	8	1J3999-02010	WASHER 6	2	2	2	2	2			W
		(A=F010007) (B=F010005) (C=F010001) (D=F010057)									
I	9	22137-080000	WASHER 8, POLISHED	1	1	1	1	1			W
		(A=F010007) (B=F010005) (C=F010001) (D=F010057)									

Fig.28. CHUTE LEVER



OCNP3-G50900 28. CHUTE LEVER

(A)=YSR9H-T
(B)=YSR9H-TS
(C)=YSR10H-T

(D)=YSR10H-TS
(E)=YSR10H-TSIT
(F)=

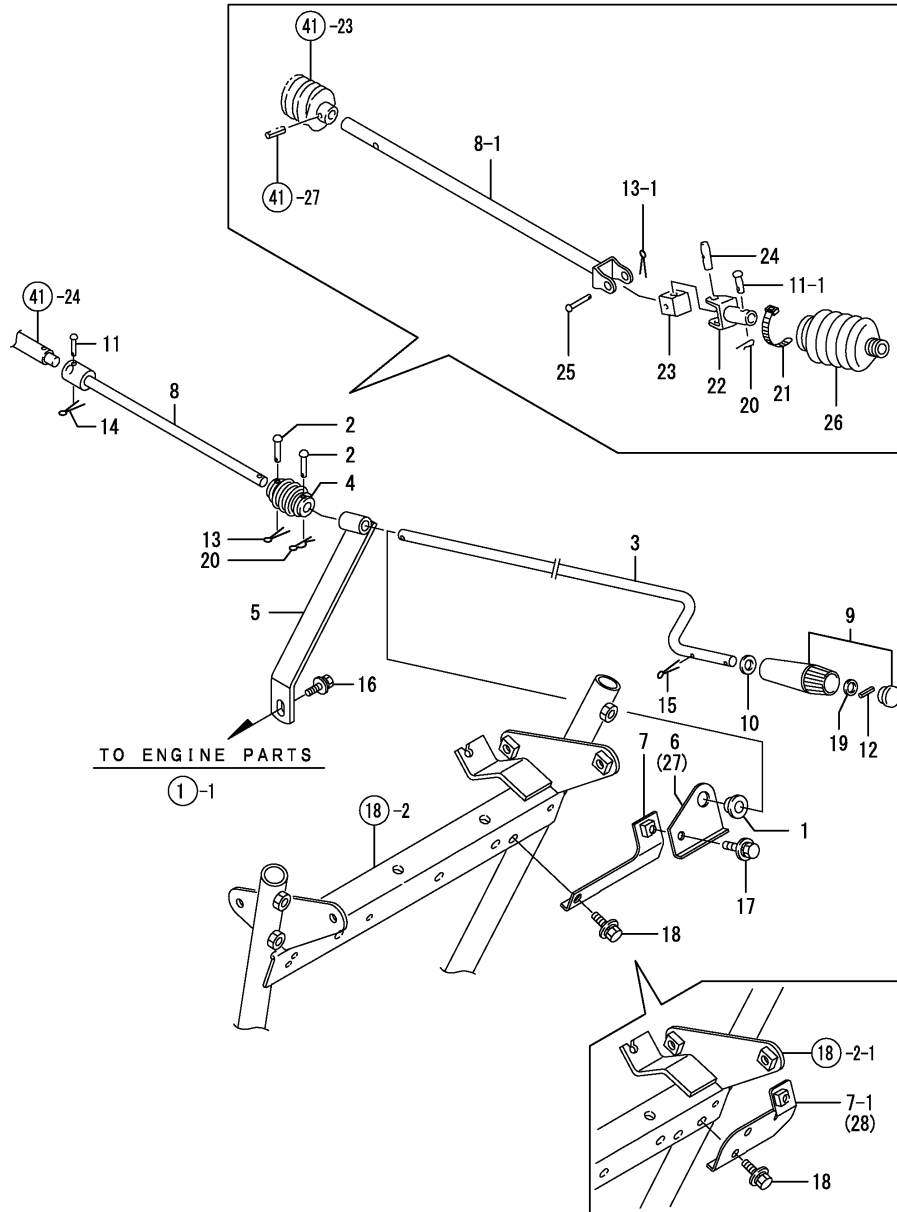
REF.	LEV.	PARTS NO.	DESCRIPTION	Q'TY						I	R
				(A)	(B)	(C)	(D)	(E)	(F)		
1	1	1N3021-34000	LEVER 1,SHOOTER	1	1	1	1	1			
2	1	1N3021-34010	LEVER 2,SHOOTER	1	1	1	1				
I 2-1	1	1N3021-34011	LEVER 2,SHOOTER	1	1	1	1	1			N
3	1	1N3021-34050	PL.,SHOOTER LVR.FIX.	1	1	1	1	1			
4	1	1N1723-34160	SPRING 27X35	1	1	1	1	1			
5	1	1N3021-34200	WIRE COMP.,SHOOT	1	1	1	1				
I 5-1	1	1N3021-34201	WIRE COMP.,SHOOT	1	1	1	1				S 1
I 5-2	1	1N3021-34202	WIRE COMP.,SHOOT	1	1	1	1	1			N
I 6	1	1N3021-34240	CLIP 8,COATING	1	1	1	1				Z
7	1	1A1140-58050	GRIP, STAND	1	1	1	1	1			
8	1	22117-140000	WASHER 14	1	1	1	1	1			
9	1	22217-030000	SPRING WASHER 3	6	6	6	6	6			
10	1	22372-140000	SNAP PIN 14	1	1	1	1	1			
I 11	1	26018-060124	BOLT M 6X 12	1	1	1	1				Z
12	1	26557-030102	SCREW M 3X 10	6	6	6	6				
I 12-1	1	26557-030082	SCREW M 3X 8	6	6	6	6	6			N
13	1	26717-030002	NUT M 3	6	6	6	6	6			
14	1	26737-140002	NUT M14	2	2	2	2	2			
15	1	1N3021-34250	FULCRUM,SHOOTER LVR.	1	1	1	1	1			
16	1	26016-080162	BOLT M 8X 16	1	1	1	1	1			
17	1	26016-080164	BOLT M 8X 16	1	1	1	1	1			
18	1	22117-060000	WASHER 6	1	1	1	1	1			
19	1	22417-160100	COTTER PIN	1	1	1	1	1			
I 20	1	1J3999-07000	BAND 100B	2	2	2	2	2			W

Remarks

(1) L= REF.NO.5 1340M/M, 5-1 1240M/M.

N:Old $\begin{matrix} \text{Yes} \\ \text{No} \end{matrix}$ New, Q:Old $\begin{matrix} \text{No} \\ \text{Yes} \end{matrix}$ New, R:Old $\begin{matrix} \text{Yes} \\ \text{No} \end{matrix}$ New, S:Old $\begin{matrix} \text{No} \\ \text{Yes} \end{matrix}$ New, W:Add, Z:Discontinued, F:Interchangeable by set, K:Q'ty Change

Fig.29. CHUTE HANDLE

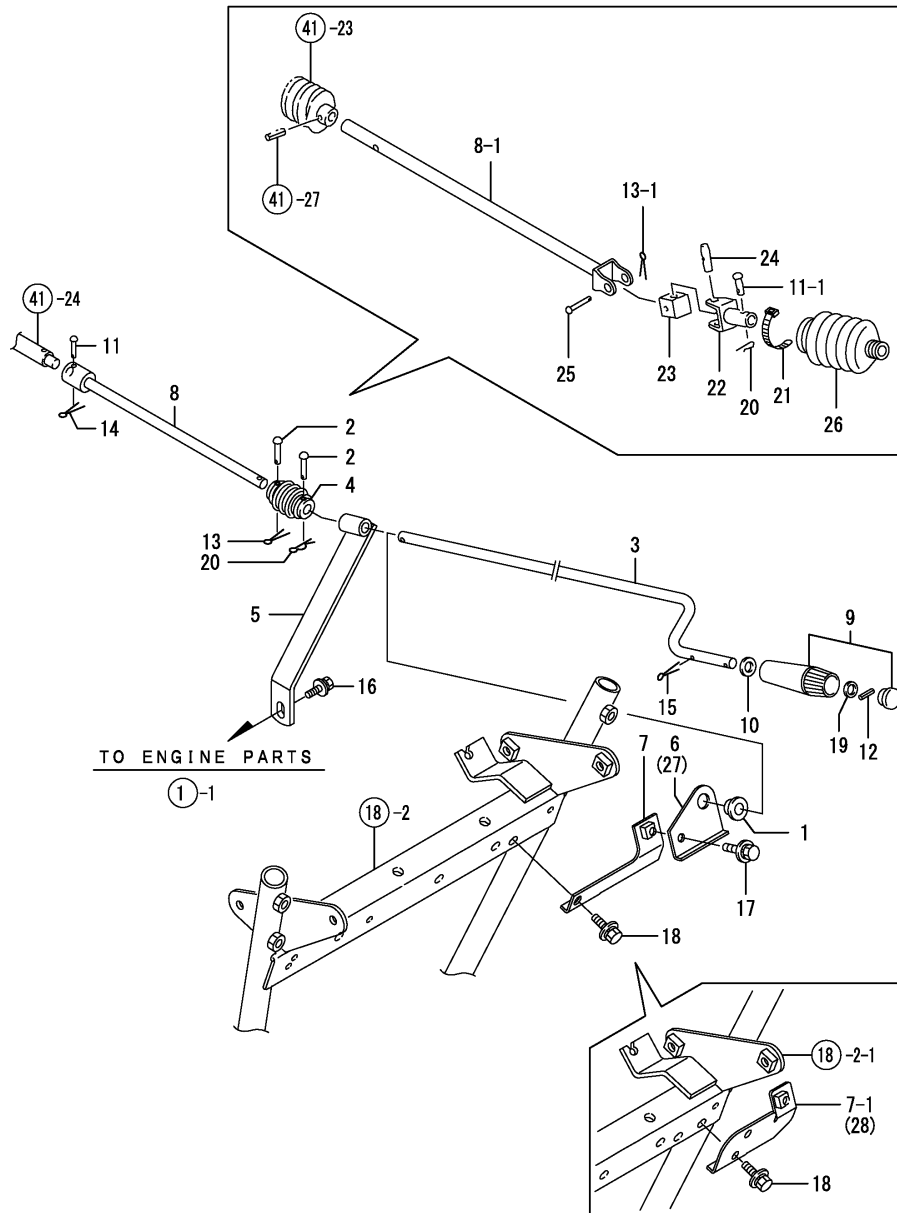


(A)=YSR9H-T
(B)=YSR9H-TS
(C)=YSR10H-T

(D)=YSR10H-TS
(E)=YSR10H-TSIT
(F)=

REF.	LEV.	PARTS NO.	DESCRIPTION	QTY						I	R
				(A)	(B)	(C)	(D)	(E)	(F)		
1	1	1N1711-32790	BUSH	1	1	1	1	1			
2	1	1N1723-34100	RIVET 4X22	2	2	2	2				
I 2-1	1	1N3260-73250	RIVET 4X19.5	2	2	2	2			N	
		(A=F010007) (B=F010005) (C=F010001) (D=F010057)									
I 2-2	1	1N1723-34100	RIVET 4X22	2	2	2	2			N	
		(A=F010007) (B=F010005) (C=F010001) (D=F010057)									
I 2-3	1	1N1723-34100	RIVET 4X22	2	2	2	2			Z	
		(A=F010007) (B=F010005) (C=F010001) (D=F010072)									
3	1	1N3021-34350	HANDLE,SHOOTER	1	1	1	1	1			
I 4	1	1N3021-34400	JOINT,UNIVERSAL	1	1	1	1			Z	
		(A=F010007) (B=F010005) (C=F010001) (D=F010072)									
5	1	1N3021-34450	GUIDE,HANDLE	1	1	1	1	1			
6	1	1N3021-34500	BRACKET,SHOOT.HANDLE	1	1	1	1	1			
I 6-1	1	1N3021-34501		1	1	1	1	1		N	
		(A=F010021) (B=F010046) (C=F010003) (D=F010213)									
7	1	1N3021-34550	SEAT,SHOOTER HANDLE	1	1	1	1	1			
I 7-1	1	1N3021-34551		1	1	1	1	1		S	
		(A=F010007) (B=F010005) (C=F010001) (D=F010057)									
8	1	1N3021-34600	ROD,CONNECTING	1	1	1	1	1			
I 8-1	1	1N3021-34601	ROD,CONNECTING	1	1	1	1	1		S	
		(A=F010007) (B=F010005) (C=F010001) (D=F010072)									
9	1	1N1711-35520	GRIP,SHOOT	1	1	1	1	1			
I 10	1	1C6560-66510	SPACER 10X15X1	1	1	1	1	1			
I 10-1	1	22137-100000	WASHER 10,POLISHED	1	1	1	1	1		N	
		(A=F010007) (B=F010005) (C=F010001) (D=F010057)									
11	1	1N1570-73260	RIVET 4X20,ROUND	1	1	1	1	1			
I 11-1	1	1N3260-73250	RIVET 4X19.5	1	1	1	1	1		N	
		(A=F010007) (B=F010005) (C=F010001) (D=F010057)									
12	1	22351-025016	PIN 25.0A,SNAP	1	1	1	1	1			
I 13	1	22417-200120	COTTER PIN 2.0X12	1	1	1	1	1			
I 14	1	22417-200120	COTTER PIN 2.0X12	1	1	1	1	1		Z	
		(A=F010007) (B=F010005) (C=F010001) (D=F010072)									
I 15	1	22417-200160	COTTER PIN 2.0X16	1	1	1	1	1			
16	1	26018-080164	BOLT M 8X 16	1	1	1	1	1			
17	1	26018-080164	BOLT M 8X 16	1	1	1	1	1			
18	1	26018-080204	BOLT M 8X 20	1	1	1	1	1			
I 19	1	1N3021-34390	SPACER 10X14X1	1	1	1	1	1			
I 20	1	22372-040000	SNAP PIN 4	1	1	1	1	1			
I 21	1	1J3999-07000	BAND 100B	1	1	1	1	1		W	
		(A=F010007) (B=F010005) (C=F010001) (D=F010072)									
I 22	1	1N3021-34650	CONNECTING JOINT	1	1	1	1	1		W	
		(A=F010007) (B=F010005) (C=F010001) (D=F010072)									
I 22-1	1	1N3021-34651	JOINT, CONNECTING	1	1	1	1	1		N	
		(A=F010290) (B=F010516) (C=F010008) (D=F010608) (E=F010016)									
I 23	1	1N3021-34700	JOINT FULCRUM	1	1	1	1	1		W	
		(A=F010007) (B=F010005) (C=F010001) (D=F010072)									
I 24	1	1N3021-34710	JOINT FULCRUM,PIN 8	1	1	1	1	1		W	
		(A=F010007) (B=F010005) (C=F010001) (D=F010072)									
I 25	1	1N3021-34720	RIVET 4X27.5	1	1	1	1	1		W	
		(A=F010007) (B=F010005) (C=F010001) (D=F010072)									
I 26	1	1N3021-34730	BOOTS, JOINT	1	1	1	1	1		W	

Fig.29. CHUTE HANDLE



0CNP3-G50900 29. CHUTE HANDLE

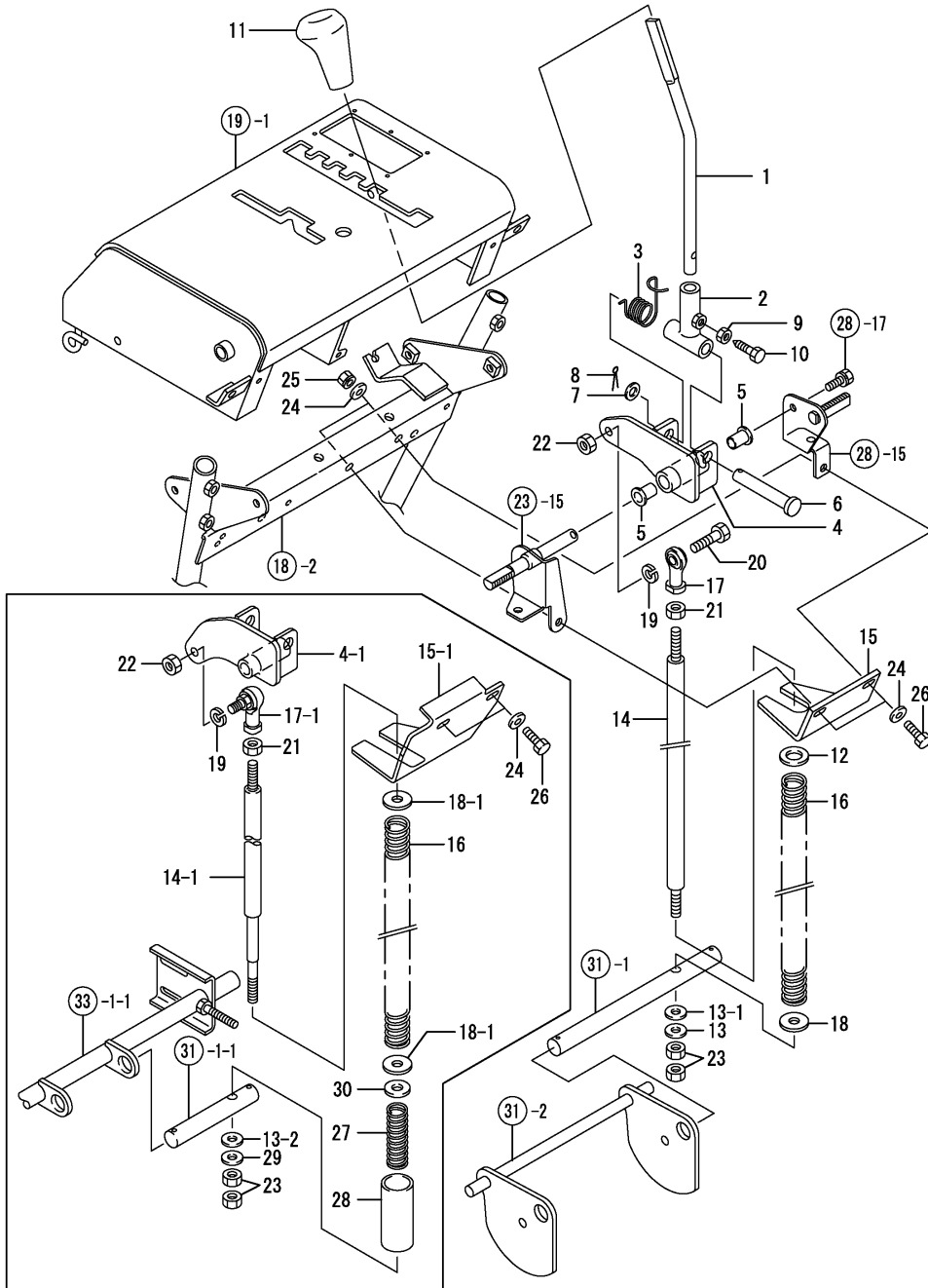
(A)=YSR9H-T
(B)=YSR9H-TS
(C)=YSR10H-T

(D)=YSR10H-TS
(E)=YSR10H-TSIT
(F)=

REF.	LEV.	PARTS NO.	DESCRIPTION	QTY						I	R	
				(A)	(B)	(C)	(D)	(E)	(F)			
		(A=F010007)	(B=F010005)	(C=F010001)	(D=F010072)							
I	27	1	1N3021-34501-1	BRACKET,SHOOT.HANDLE							1	
I	28	1	1N3021-34551-1	SEAT,SHOOTER HANDLE							1	

Fig.30. LIFTING LEVER

(A)=YSR9H-T
(B)=YSR9H-TS
(C)=YSR10H-T
(D)=YSR10H-TS
(E)=YSR10H-TSIT
(F)=



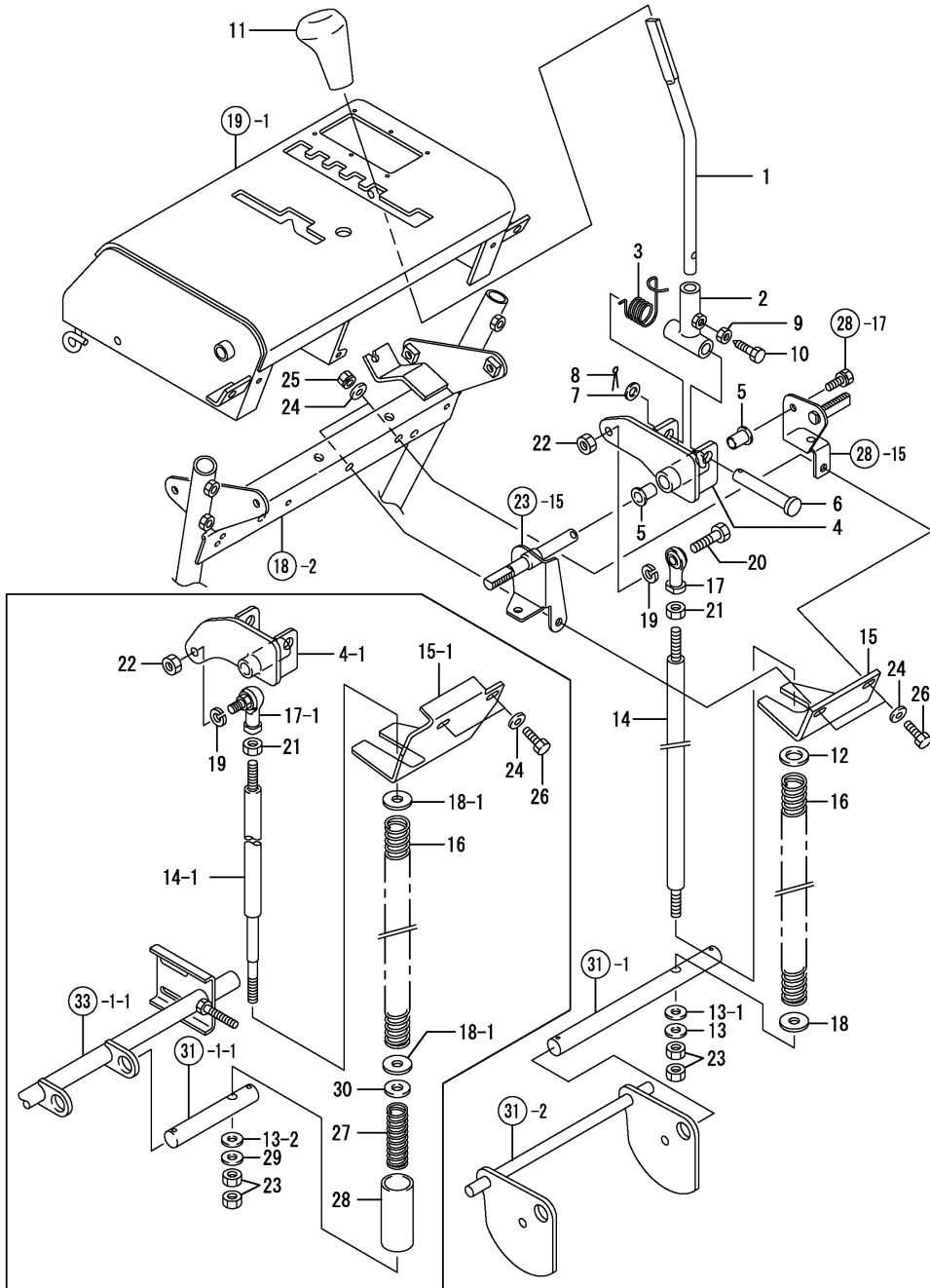
REF.	LEV.	PARTS NO.	DESCRIPTION	QTY						I	R
				(A)	(B)	(C)	(D)	(E)	(F)		
1	1	1N3021-35000	LEVER,AUGER ADJUSTG	1	1	1	1	1			
2	1	1N3021-35050	FULCRUM,AUGER LEVER	1	1	1	1	1			
3	1	1N3021-35080	SPRING 26X17,TORSION	1	1	1	1	1			
I	3-1	1N3021-35081 (A=F010007) (B=F010005) (C=F010001) (D=F010057)	SPRING 26X17,TORSION	1	1	1	1	1			N
4	1	1N3021-35100	ARM,AUGER LEVER	1	1	1	1				
I	4-1	1N3021-35101 (A=F010007) (B=F010005) (C=F010001) (D=F010072)	ARM,AUGER LEVER	1	1	1	1	1			S
I	5	1E7320-42130 (A=F010007) (B=F010005) (C=F010001) (D=F010072)	BUSH 14X12X22,COLLAR	2	2	2	2				Z
6	1	1E6460-67200	PIN 14X83,FLAT HEAD	1	1	1	1	1			
7	1	22117-140000	WASHER 14	1	1	1	1	1			
8	1	22417-400250	COTTER PIN 4.0X25	1	1	1	1	1			
9	1	26717-080002	NUT 8	1	1	1	1	1			
10	1	26956-080252	BOLT M 8X25	1	1	1	1	1			
11	1	1C6560-47000	GRIP,CHANGE LEVER	1	1	1	1	1			
I	12	1J3610-21500 (A=F010001) (B=F010001) (C=F010001) (D=F010001)	WASHER 18X4.5,PLAIN	1	1	1	1				Z
I	13	1C6320-24440 (A=F010007) (B=F010005)	WASHER 10.5X32X4.5	1	1	1	1				Z
I	13-1	1C6320-24440 (C=F010001) (D=F010057)	WASHER 10.5X32X4.5			2	2				K
I	13-2	1C6320-24440 (C=F010001) (D=F010072)	WASHER 10.5X32X4.5			1	1	1			K
14	1	1N3021-35150	ROD,AUGER ADJUSTING	1	1	1	1				
I	14-1	1N3021-35151 (A=F010007) (B=F010005) (C=F010001) (D=F010072)	ROD,AUGER ADJUSTING	1	1	1	1	1			S
15	1	1N3021-35170	SHOE,ROD SPRING	1	1	1	1				
I	15-1	1N3021-35171 (A=F010007) (B=F010005) (C=F010001) (D=F010072)	SHOE,ROD SPRING	1	1	1	1	1			S
16	1	1N3021-35200	SPRING 23X500	1	1	1	1	1			
17	1	1N3021-35230	END 10,ROD	1	1	1	1				
I	17-1	1S6480-61130 (A=F010007) (B=F010005) (C=F010001) (D=F010072)	BALL 10,LINK	1	1	1	1	1			S
18	1	22137-180000	WASHER 18	1	1	1	1				
I	18-1	22137-180000 (A=F010007) (B=F010005) (C=F010001) (D=F010072)	WASHER 18	2	2	2	2	2			K
19	1	22217-100000	SPRING WASHER 10	1	1	1	1	1			
I	20	26117-100352 (A=F010007) (B=F010005) (C=F010001) (D=F010072)	BOLT M10X 35 PLATED	1	1	1	1				Z
21	1	26717-100002	NUT M10	1	1	1	1	1			
22	1	26717-100002	NUT M10	1	1	1	1	1			
23	1	26717-100002	NUT M10	2	2	2	2	2			
24	1	22137-080000	WASHER 8, POLISHED	4	4	4	4	4			
25	1	26051-080002	NUT M 8	2	2	2	2	2			
26	1	26117-080252	BOLT M 8X 25 PLATED	2	2	2	2	2			
I	27	1N3021-35210 (A=F010007) (B=F010005) (C=F010001) (D=F010072)		1	1	1	1	1			W
I	28	1N3021-35290 (A=F010007) (B=F010005) (C=F010001) (D=F010072)		1	1	1	1	1			W
I	29	22137-100000	WASHER 10,POLISHED	1	1	1	1	1			W

N:Old $\xrightarrow{\text{Yes}}$ New, Q:Old $\xrightarrow{\text{No}}$ New, R:Old $\xrightarrow{\text{Yes}}$ New, S:Old $\xrightarrow{\text{No}}$ New, W:Add, Z:Discontinued, F:Interchangeable by set, K:Q'ty Change
 ++ CONTINUE ++
 (C)Copy Rights YANMAR CO.,LTD.

Fig.30. LIFTING LEVER

(A)=YSR9H-T
(B)=YSR9H-TS
(C)=YSR10H-T

(D)=YSR10H-TS
(E)=YSR10H-TSIT
(F)=

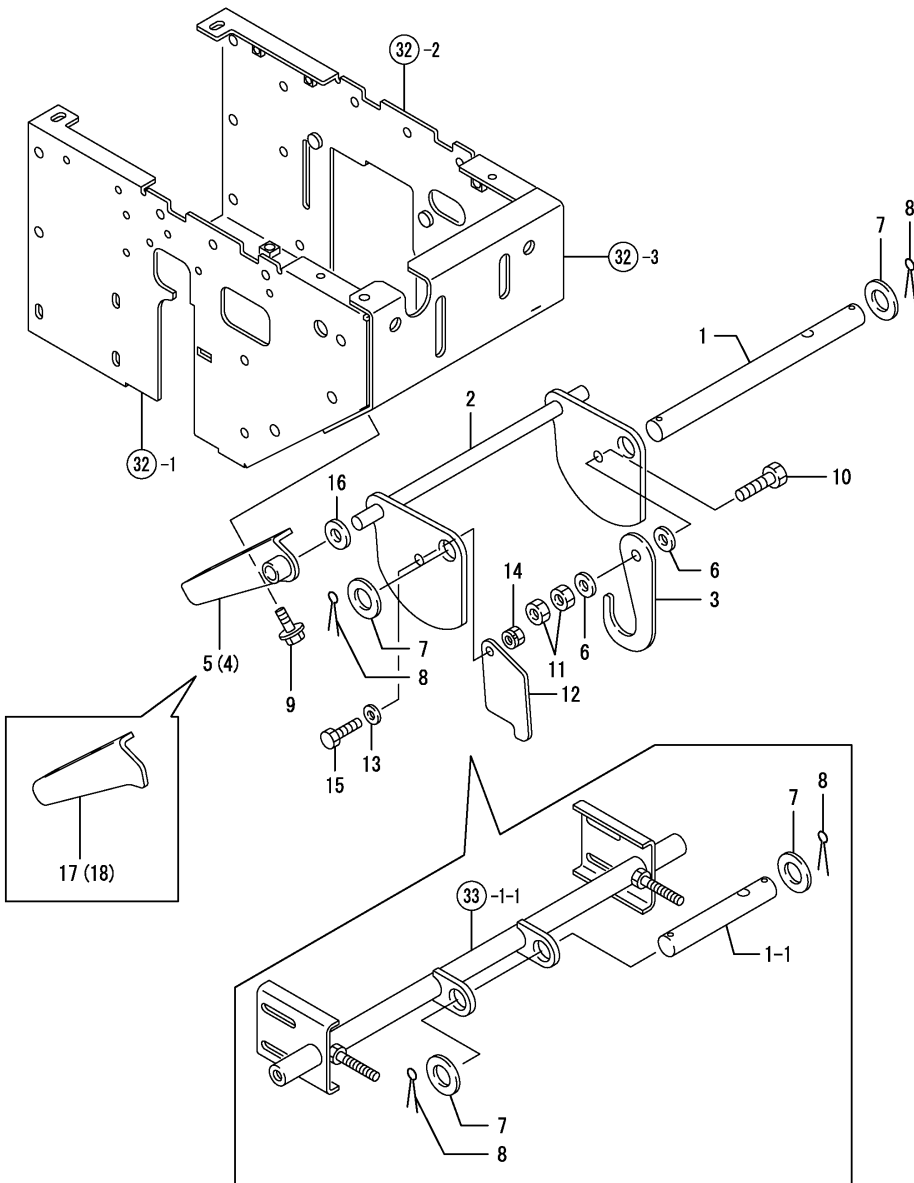


REF.	LEV.	PARTS NO.	DESCRIPTION	QTY						I	R	
				(A)	(B)	(C)	(D)	(E)	(F)			
		(A=F010007)	(B=F010005)	(C=F010001)	(D=F010072)							
I	30	1 22137-120000	WASHER 12,POLISHED	1	1	1	1	1			W	
		(A=F010007)	(B=F010005)	(C=F010001)	(D=F010072)							

Fig.31. LIFTING CAM

(A)=YSR9H-T
(B)=YSR9H-TS
(C)=YSR10H-T

(D)=YSR10H-TS
(E)=YSR10H-TSIT
(F)=



REF.	LEV.	PARTS NO.	DESCRIPTION	QTY						I	R
				(A)	(B)	(C)	(D)	(E)	(F)		
I	1	1N3021-35250	PIN,AUGER ADJUSTING	1	1	1	1				
I	1-1	1N3021-35251	PIN,AUGER ADJUSTING	1	1	1	1	1			S
		(A=F010007) (B=F010005) (C=F010001) (D=F010072)									
I	2	1N3021-35300	CAM,AUGER ADJUSTING	1	1	1	1				Z
		(A=F010007) (B=F010005) (C=F010001) (D=F010072)									
I	3	1N3021-35350	GUIDE,CAM	1	1	1	1				Z
		(A=F010007) (B=F010005) (C=F010001) (D=F010072)									
I	4	1N3021-35400	BRCKT.L,CAM FULCRUM	1	1	1	1				Z
		(A=F010007) (B=F010005) (C=F010001) (D=F010072)									
I	5	1N3021-35450	BRCKT.R,CAM FULCRUM	1	1	1	1				Z
		(A=F010007) (B=F010005) (C=F010001) (D=F010072)									
I	6	22117-100000	WASHER 10	2	2	2	2				Z
		(A=F010007) (B=F010005) (C=F010001) (D=F010072)									
I	7	22117-200000	WASHER 20	2	2	2	2				Z
		(A=F010007) (B=F010005) (C=F010001) (D=F010072)									
		8	22417-400320	COTTER PIN 4.0X32	2	2	2	2	2		
		9	26018-080202	BOLT M 8X 20	4	4	4	4	4		
I	10	26117-100304	BOLT M10X 30 PLATED	1	1	1	1				Z
		(A=F010007) (B=F010005) (C=F010001) (D=F010072)									
I	11	26717-100002	NUT M10	2	2	2	2				Z
		(A=F010007) (B=F010005) (C=F010001) (D=F010072)									
I	12	1N3021-35370	PLATE,CAM CONTACT	1	1	1	1				W
		(A=F010001) (B=F010001) (C=F010001) (D=F010001)									
I	12-1	1N3021-35370	PLATE,CAM CONTACT	1	1	1	1				Z
		(A=F010007) (B=F010005) (C=F010001) (D=F010072)									
I	13	22137-080000	WASHER 8, POLISHED	1	1	1	1				W
		(A=F010001) (B=F010001) (C=F010001) (D=F010001)									
I	13-1	22137-080000	WASHER 8, POLISHED	1	1	1	1				Z
		(A=F010007) (B=F010005) (C=F010001) (D=F010072)									
I	14	26051-080002	NUT M 8	1	1	1	1				W
		(A=F010001) (B=F010001) (C=F010001) (D=F010001)									
I	14-1	26347-080002	U-NUT M 8	1	1	1	1				N
		(A=F010007) (B=F010005) (C=F010001) (D=F010057)									
I	14-2	26347-080002	U-NUT M 8	1	1	1	1				Z
		(A=F010007) (B=F010005) (C=F010001) (D=F010072)									
I	15	26117-080202	BOLT M 8X 20 PLATED	1	1	1	1				W
		(A=F010001) (B=F010001) (C=F010001) (D=F010001)									
I	15-1	26117-080202	BOLT M 8X 20 PLATED	1	1	1	1				Z
		(A=F010007) (B=F010005) (C=F010001) (D=F010072)									
I	16	22117-120000	WASHER 12	2	2	2	2				W
		(A=F010001) (B=F010001) (C=F010001) (D=F010001)									
I	16-1	22117-120000	WASHER 12	2	2	2	2				Z
		(A=F010007) (B=F010005) (C=F010001) (D=F010072)									
I	17	1N3021-35500		1	1	1	1	1			W
		(A=F010007) (B=F010005) (C=F010001) (D=F010072)									
I	18	1N3021-35550		1	1	1	1	1			W
		(A=F010007) (B=F010005) (C=F010001) (D=F010072)									

Fig.32. CHASSIS

(A)=YSR9H-T
(B)=YSR9H-TS
(C)=YSR10H-T

(D)=YSR10H-TS
(E)=YSR10H-TSIT
(F)=

REF.	LEV.	PARTS NO.	DESCRIPTION	Q'TY						I	R
				(A)	(B)	(C)	(D)	(E)	(F)		
1	1	1N3021-36000	CHASSIS L	1	1	1	1				
I	1-1	1 1N3021-36001	SHASSIS L	1	1	1	1				N
		(A=F010007) (B=F010005) (C=F010001) (D=F010057)									
I	1-2	1 1N3021-36002		1	1	1	1	1	1		S
		(A=F010007) (B=F010005) (C=F010001) (D=F010072)									
I	1-3	1 1N3021-36003		1	1	1	1	1	1		N
		(A=F010150) (B=F010276) (C=F010008) (D=F010438)									
2	1	1N3021-36050	CHASSIS R	1	1	1	1				
I	2-1	1 1N3021-36051	SHASSIS R	1	1	1	1				N
		(A=F010007) (B=F010005) (C=F010001) (D=F010057)									
I	2-2	1 1N3021-36052		1	1	1	1	1	1		S
		(A=F010007) (B=F010005) (C=F010001) (D=F010072)									
3	1	1N3021-36100	CHASSIS,REAR	1	1	1	1	1			
4	1	1N3021-36150	CHASSIS,BOTTOM	1	1	1	1				
I	4-1	1 1N3021-36151	BOTTOM,CHASSIS	1	1	1	1	1			N
		(A=F010007) (B=F010005) (C=F010001) (D=F010057)									
I	5	1 24550-010100	BUSH 10X10,DRY	2	2	2	2				Z
		(A=F010007) (B=F010005) (C=F010001) (D=F010072)									
6	1	26018-080164	BOLT M 8X 16	2	2	2	2	2			
7	1	26018-080164	BOLT M 8X 16	4	4	4	4	4			
8	1	1N3021-36130	GROMMET	1	1	1	1	1			
9	1	1N3021-36400	PLATE,TRANSM.MTG.	1	1	1	1	1			
I	9-1	1 1N3021-36401	BRACKET,TRANSM.MTG.	1	1	1	1	1			N
		(A=F010150) (B=F010276) (C=F010008) (D=F010438)									
10	1	26018-080162	BOLT M 8X 16	4	4	4	4	4			
I	10-1	1 26018-080202	BOLT M 8X 20	4	4	4	4	4			N
		(A=F010250) (B=F010401) (C=F010567) (D=F010008)									
11	1	26018-080202	BOLT M 8X 20	4	4	4	4	4			
I	11-1	1 26016-080202	BOLT M 8X 20	4	4	4	4	4			N
		(A=F010150) (B=F010276) (C=F010008) (D=F010438)									
I	12	1 22157-080000	WASHER 8	4	4	4	4	4			W
		(A=F010150) (B=F010276) (C=F010008) (D=F010438)									

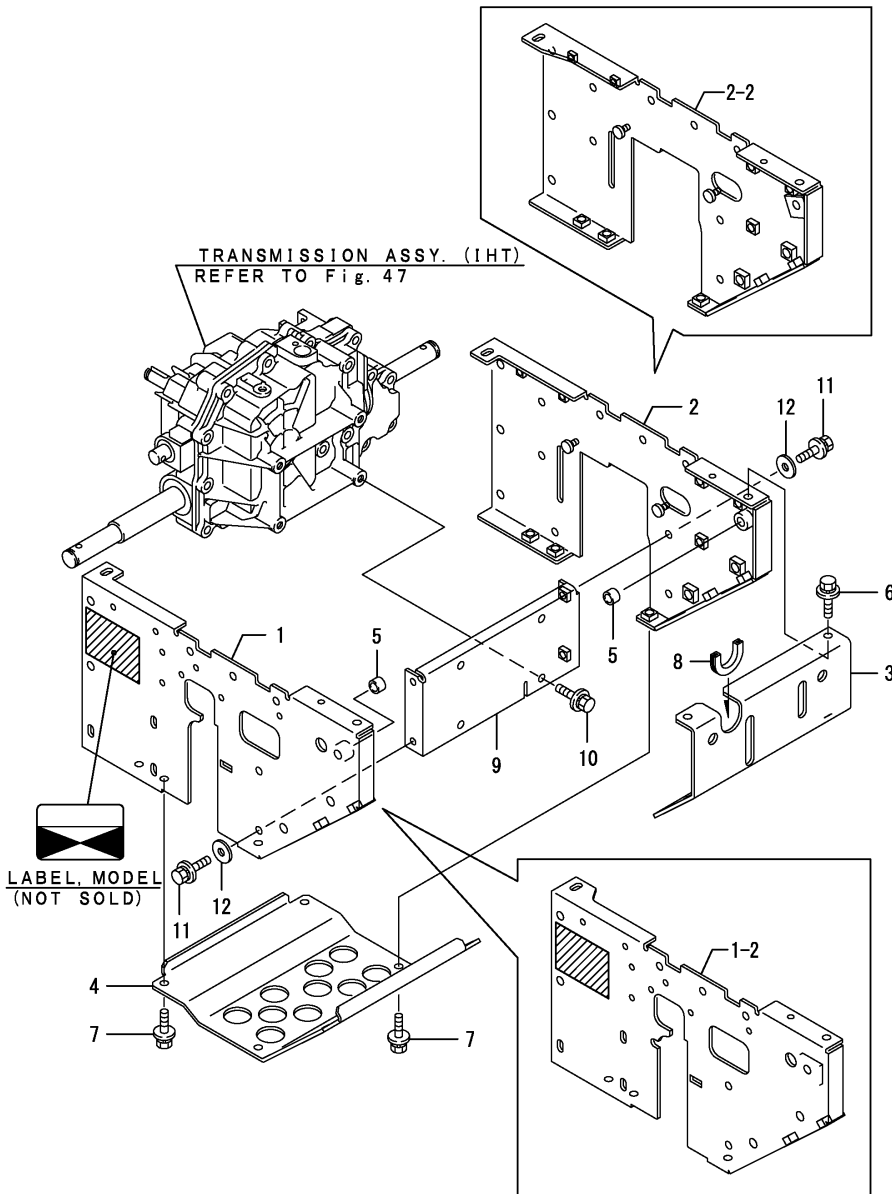
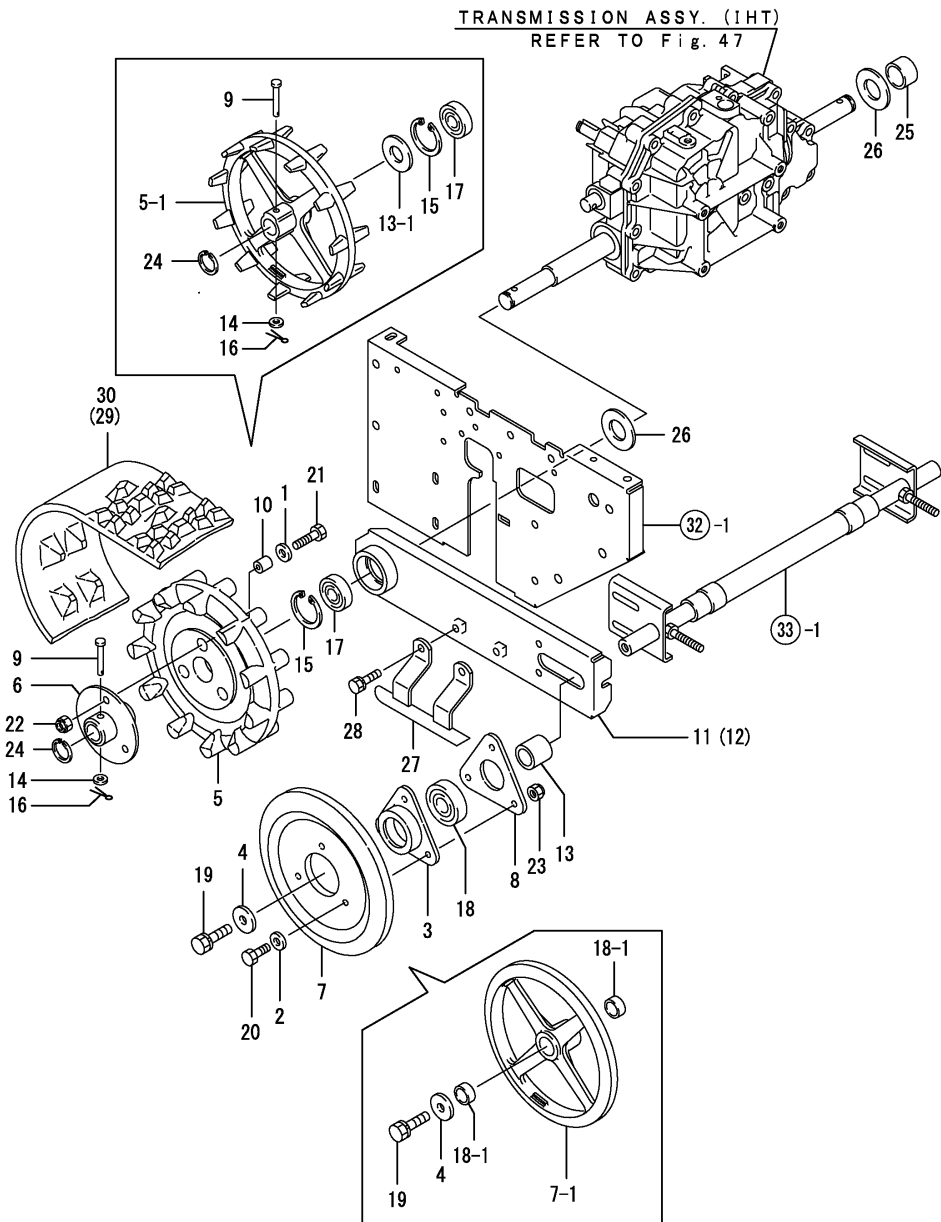


Fig.35. CRAWLER



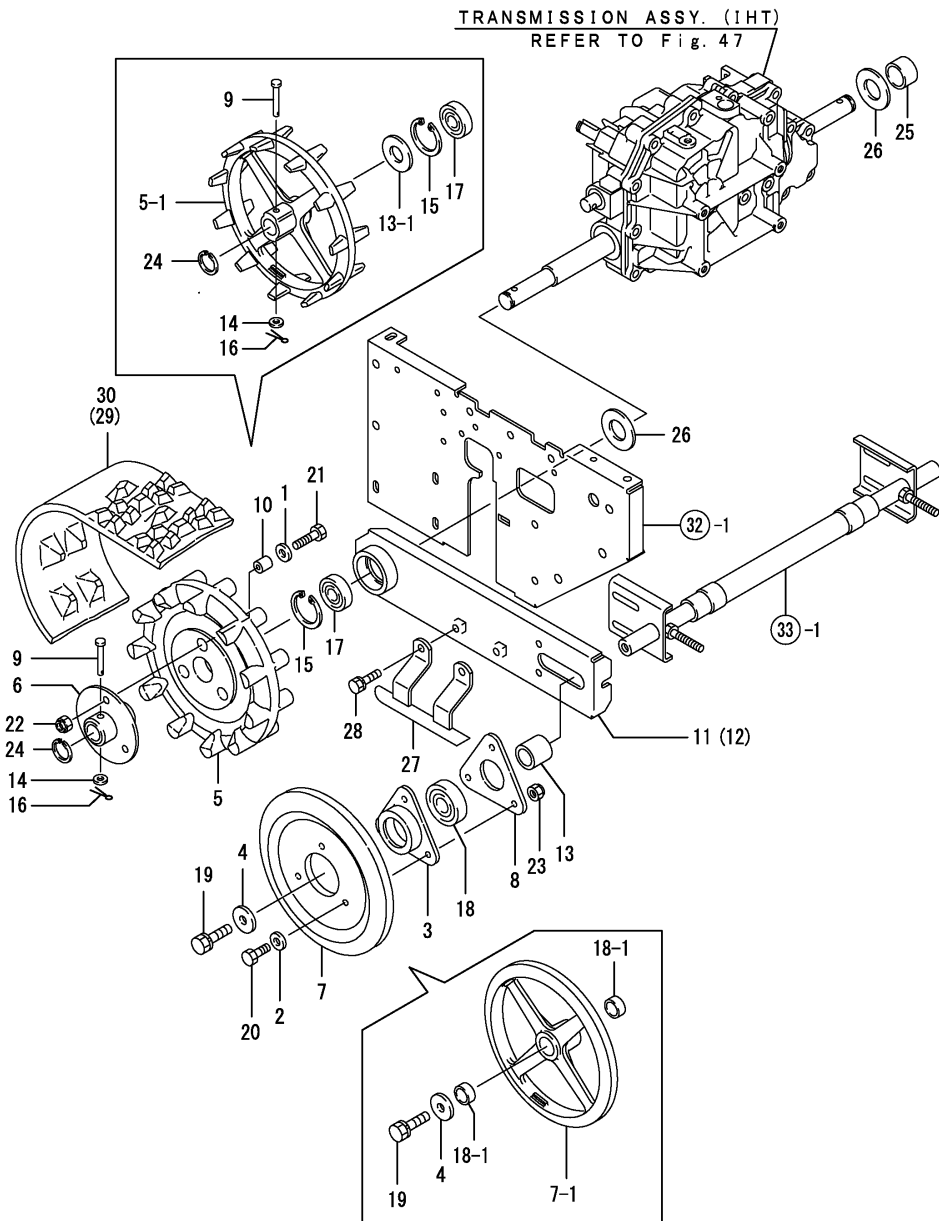
(A)=YSR9H-T
(B)=YSR9H-TS
(C)=YSR10H-T
(D)=YSR10H-TS
(E)=YSR10H-TSIT
(F)=

REF.	LEV.	PARTS NO.	DESCRIPTION	QTY						I	R
				(A)	(B)	(C)	(D)	(E)	(F)		
1	1	1J3999-02050	WASHER	6	6	6	6				
I 1-1	1	1J3999-02020	WASHER 8	6	6	6	6			N	
		(A=F010001) (B=F010001) (C=F010001) (D=F010001)									
I 1-2	1	1J3999-02020	WASHER 8	6	6	6	6			Z	
		(A=F010007) (B=F010005) (C=F010001) (D=F010072)									
I 2	1	1J3999-02050	WASHER	6	6	6	6			Z	
		(A=F010007) (B=F010005) (C=F010001) (D=F010072)									
I 3	1	1J3000-20020	BEARING	2	2	2	2			Z	
		(A=F010007) (B=F010005) (C=F010001) (D=F010072)									
4	1	1C6320-24440	WASHER 10.5X32X4.5	2	2	2	2	2			
5	1	1N1570-38000	SPROCKET 11	2	2	2	2				
I 5-1	1	1N3021-38500	SPROCKET 11	2	2	2	2	2		S	
		(A=F010007) (B=F010005) (C=F010001) (D=F010072)									
I 6	1	1N3021-38000	SEAT, SPROCKET	2	2	2	2			Z	
		(A=F010007) (B=F010005) (C=F010001) (D=F010072)									
7	1	1N1570-38010	RING, TOP	2	2	2	2				
I 7-1	1	1N3021-38600	WHEEL	2	2	2	2	2		S	
		(A=F010007) (B=F010005) (C=F010001) (D=F010072)									
I 8	1	1N1570-38090	PLATE, BEARING KEEP	2	2	2	2			Z	
		(A=F010007) (B=F010005) (C=F010001) (D=F010072)									
9	1	1N3021-38100	PIN, AXLE	2	2	2	2				
I 9-1	1	1N3021-38101	PIN, AXLE	2	2	2	2	2		N	
		(A=F010007) (B=F010007) (C=F010001) (D=F010154)									
I 10	1	1N1570-38130	COLLAR 8X14X9	6	6	6	6			Z	
		(A=F010007) (B=F010005) (C=F010001) (D=F010072)									
11	1	1N3021-38200	PLATE L, CRAWLER SIDE	1	1	1	1	1			
12	1	1N3021-38250	PLATE R, CRAWLER SIDE	1	1	1	1	1			
I 13	1	1N3021-38300	COLLAR 21X30X28.3	2	2	2	2				
I 13-1	1	22137-200000	WASHER 20, POLISHED	2	2	2	2	2		S	
		(A=F010007) (B=F010005) (C=F010001) (D=F010072)									
14	1	22117-060000	WASHER 6	2	2	2	2	2			
15	1	22252-000420	CIRCLIP 42	2	2	2	2	2			
16	1	22417-200120	COTTER PIN 2.0X12	2	2	2	2	2			
17	1	24104-060044	BALL BEARING	2	2	2	2	2			
18	1	24104-063044	BALL BEARING	2	2	2	2				
I 18-1	1	24550-020100	BUSH	4	4	4	4	4		S	
		(A=F010007) (B=F010005) (C=F010001) (D=F010072)									
19	1	26016-100252	BOLT M10X 25	2	2	2	2	2			
20	1	26116-080252	BOLT M 8X 25 PLATED	6	6	6	6				
I 20-1	1	26116-080302	BOLT 8X30	6	6	6	6			N	
		(A=F010001) (B=F010001) (C=F010001) (D=F010001)									
I 20-2	1	26116-080302	BOLT 8X30	6	6	6	6			Z	
		(A=F010007) (B=F010005) (C=F010001) (D=F010072)									
I 21	1	26116-080302	BOLT 8X30	6	6	6	6			Z	
		(A=F010007) (B=F010005) (C=F010001) (D=F010072)									
I 22	1	26347-080002	U-NUT M 8	6	6	6	6			Z	
		(A=F010007) (B=F010005) (C=F010001) (D=F010072)									
I 23	1	26347-080002	U-NUT M 8	6	6	6	6			Z	
		(A=F010007) (B=F010005) (C=F010001) (D=F010072)									
24	1	22292-000200	CIRCLIP S-20	2	2	2	2	2			
25	1	1N3021-38150	COLLAR 16X32X19	1	1	1	1	1			

Fig.35. CRAWLER

(A)=YSR9H-T
(B)=YSR9H-TS
(C)=YSR10H-T

(D)=YSR10H-TS
(E)=YSR10H-TSIT
(F)=



REF.	LEV.	PARTS NO.	DESCRIPTION	Q'TY						I	R
				(A)	(B)	(C)	(D)	(E)	(F)		
26	1	1N3021-38170	WASHER,SEAL PROTECT.	2	2	2	2	2			
27	1	1N3021-38400	GUIDE,CRAWLER	2	2	2	2	2			
28	1	26016-080202	BOLT M 8X 20	4	4	4	4	4			
29	1	1N1960-38000	CRAWLER			2	2	2			
30	1	1N1570-38030	CRAWLER	2	2						

Fig.36. BATTERY

(A)=YSR9H-T
(B)=YSR9H-TS
(C)=YSR10H-T

(D)=YSR10H-TS
(E)=YSR10H-TSIT
(F)=

REF.	LEV.	PARTS NO.	DESCRIPTION	Q'TY						I	R	
				(A)	(B)	(C)	(D)	(E)	(F)			
1	1	1N3021-51050	MOUNT,BATTERY	1			1					
2	1	1N3021-51100	CASE,BATTERY	1			1					
3	1	1N1721-51191	COVER 80,BATTERY	1			1	1				
4	1	1N3021-51200	PLATE,KEEP	1			1					
5	1	1N3021-51300	RUBBER,LINING	2			2					
I 5-1	1	1N3021-51301	RUBBER,LINING	2			2	2			N	
		(B=F010005)	(D=F010057)									
6	1	1N3021-51350	CABLE,BATTERY POSIT.	1			1	1				
7	1	1N3021-51360	CABLE,BATTERY NEG.	1			1	1				
8	1	1N1723-51561	30A19L DRY	1			1	1				
9	1	22157-060000	WASHER 6	2			2	2				
I 10	1	22217-060000	SPRING WASHER 6	2			2				Z	
		(B=F010476)	(D=F010568)									
11	1	26016-080164	BOLT M 8X 16	1			1	1				
12	1	26018-080164	BOLT M 8X 16	3			3	3				
13	1	26051-080002	NUT M 8	3			3	3				
14	1	26647-060402	BOLT M6X40,WING	2			2					
I 14-1	1	26647-060352	BOLT	2			2	2			R	
		(B=F010005)	(D=F010057)									
I 14-2	1	26016-060354	BOLT M6X 35	2			2	2	2		N	
		(B=F010476)	(D=F010568)									
I 15	1	22117-080000	WASHER 8	1			1	1	1		W	
		(B=F010001)	(D=F010001)									
I 16	1	26051-080002	NUT M 8	1			1	1	1		W	
		(B=F010001)	(D=F010001)									
I 17	1	1N3021-51100-1	CASE,BATTERY								1	
I 18	1	1N3021-51200-1	PLATE,KEEP								1	

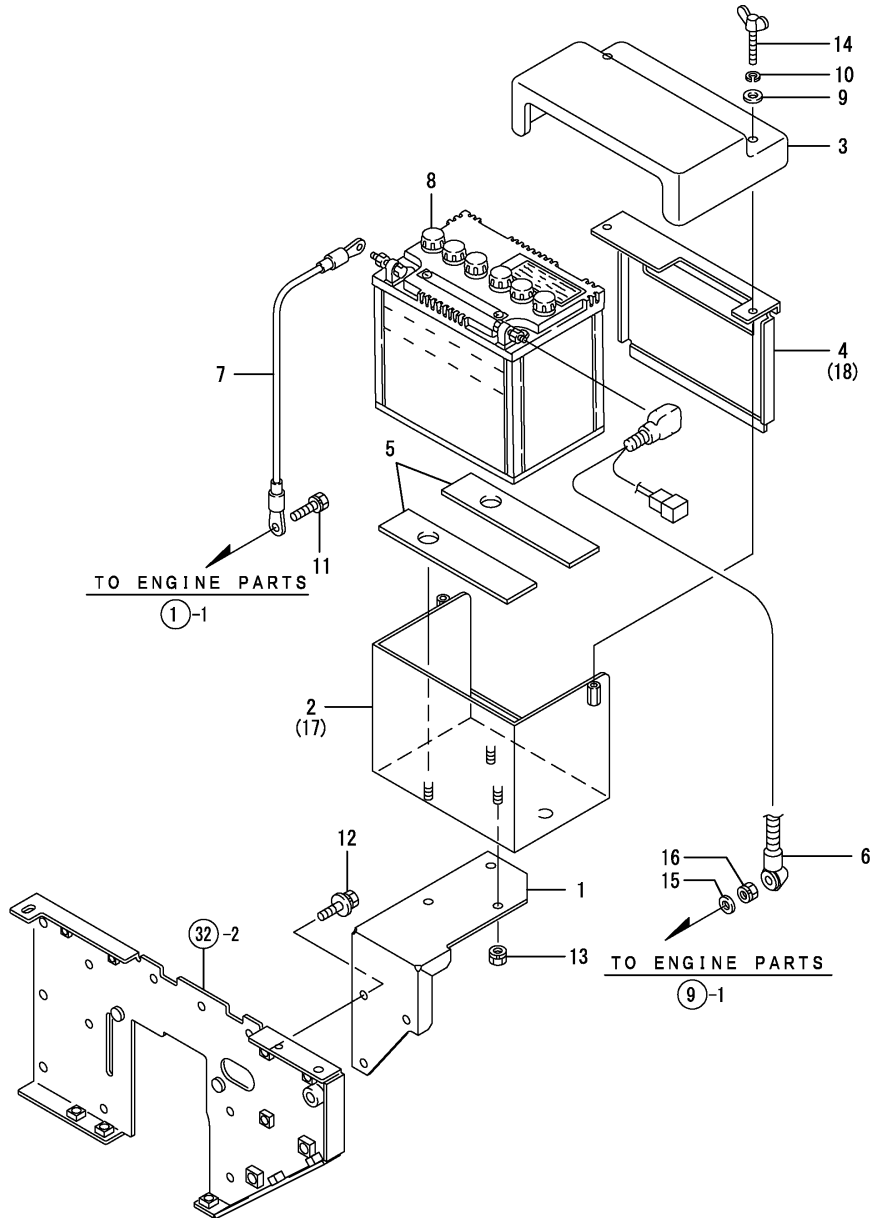
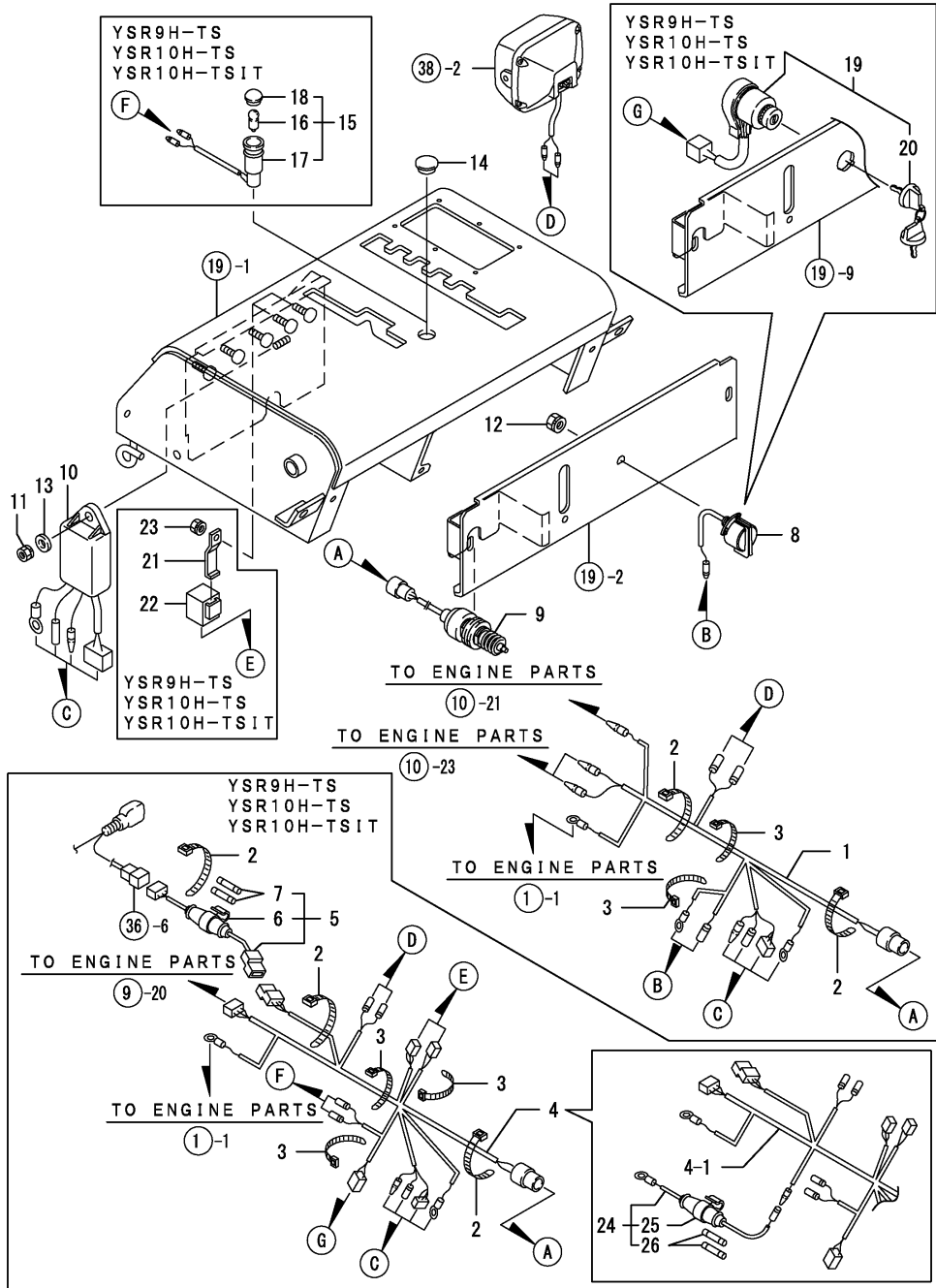


Fig.37. HARNESS & SWITCH



(A)=YSR9H-T (D)=YSR10H-TS
 (B)=YSR9H-TS (E)=YSR10H-TSIT
 (C)=YSR10H-T (F)=

REF.	LEV.	PARTS NO.	DESCRIPTION	QTY						I	R
				(A)	(B)	(C)	(D)	(E)	(F)		
1	1	1N3021-51400	HARNESS T ASSY.	1	1						
I	1-1	1N3021-51401		1	1						N
				(A=F010007) (C=F010001) (D=F010001)							
I	2	1E6102-84960	BAND 250,WIRE LOCK	2	3	2	3				Z
				(A=F010001) (B=F010001) (C=F010001) (D=F010001)							
	3	1E6102-84970	BAND 140,WIRE LOCK	2	3	2	3	3			
	4	1N3021-51500	HARNESS TS ASSY.		1		1				
I	4-1	1N3021-51501	HARNESS TS ASSY.		1		1	1			S
				(B=F010005) (D=F010072)							
	5	1N3021-51550	HOLDER ASSY.,FUSE		1		1	1			
	6	1N3021-51560	HOLDER, FUSE		1		1	1			
	7	29411-200000	FUSE (20A),CARTRIDGE		2		2	2			
	8	1N1711-51770	SWITCH,STOR		1		1				
	9	1N3021-52400	SWITCH,SAFETY		1	1	1	1	1		
	10	160598-77750	SWITCH, SAFETY		1	1	1	1	1		
	11	26051-060002	NUT M 6		1	1	1	1	1		
	12	26051-080002	NUT M 8		1		1				
I	13	22117-060000	WASHER 6		1	1	1	1			Z
				(A=F010001) (B=F010001) (C=F010001) (D=F010001)							
	14	1N3021-52140	GROMMET 16,DIAPHRAGM		1		1				
	15	1N3021-52000	LAMP,PARKING GREEN		1		1	1			
	16	29220-083200	BULB (12V/3.4W)		1		1	1			
	17	1N3021-52010	SOCKET,PARKING LAMP		1		1	1			
	18	1N3021-52020	LENS,PARK.GREEN LAMP		1		1	1			
	19	1N3021-52300	SWITCH ASSY.,KEY		1		1	1			
	20	160797-77270	KEY, REVERSE		1		1	1			
	21	1E6690-82070	BRACKET,RELAY MTG.		2		2	2			
	22	1E6910-82500	RELAY CA-1A		2		2	2			
	23	26051-060002	NUT M 6		2		2	2			
I	24	1N3021-51650			1		1	1			W
				(B=F010005) (D=F010072)							
I	25	1N3021-51660	HOLDER, FUSE B		1		1	1			W
				(B=F010005) (D=F010072)							
I	26	29411-050000	FUSE (5A),CARTRIDGE		2		2	2			W
				(B=F010005) (D=F010072)							

Fig.38. LAMP

(A)=YSR9H-T
(B)=YSR9H-TS
(C)=YSR10H-T

(D)=YSR10H-TS
(E)=YSR10H-TSIT
(F)=

REF.	LEV.	PARTS NO.	DESCRIPTION	Q'TY						I	R
				(A)	(B)	(C)	(D)	(E)	(F)		
1	1	1N3021-51450	STAY,LIGHT	1	1	1	1	1			
2	1	1N1711-51850	HEADLIGHT COMPL.	1	1	1	1	1			
3	2	1N1711-51860	LAMP 12V-15W G23	1	1	1	1	1			
4	1	1E6102-84970	BAND 140,WIRE LOCK	1	1	1	1	1			
5	1	26016-080162	BOLT M 8X 16	1	1	1	1	1			
6	1	26018-060164	BOLT M 6X 16	2	2	2	2	2			

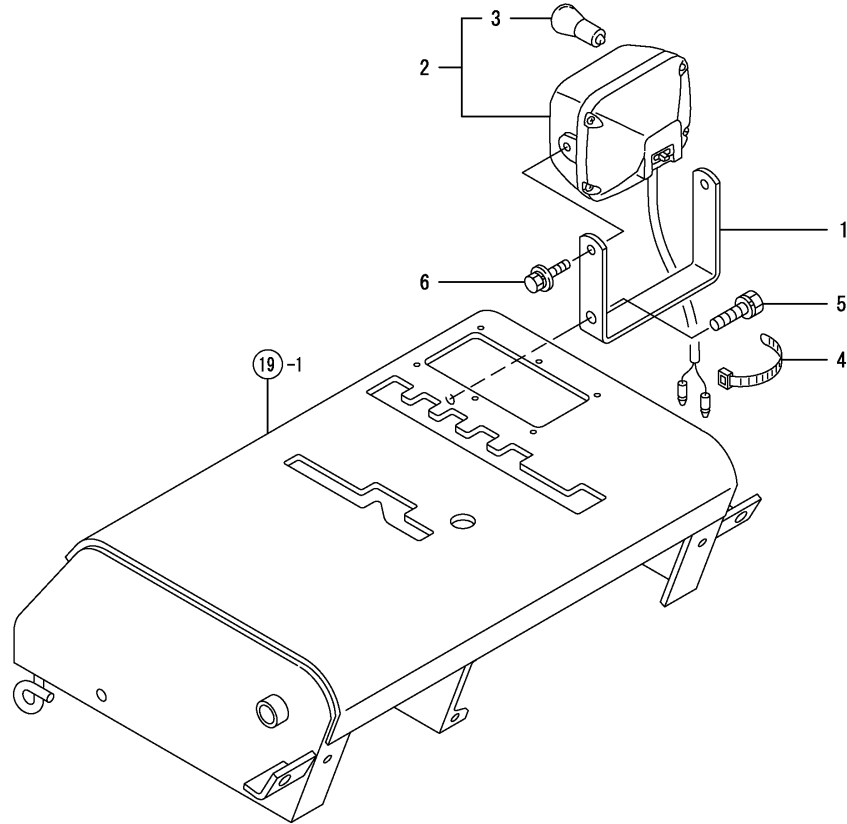
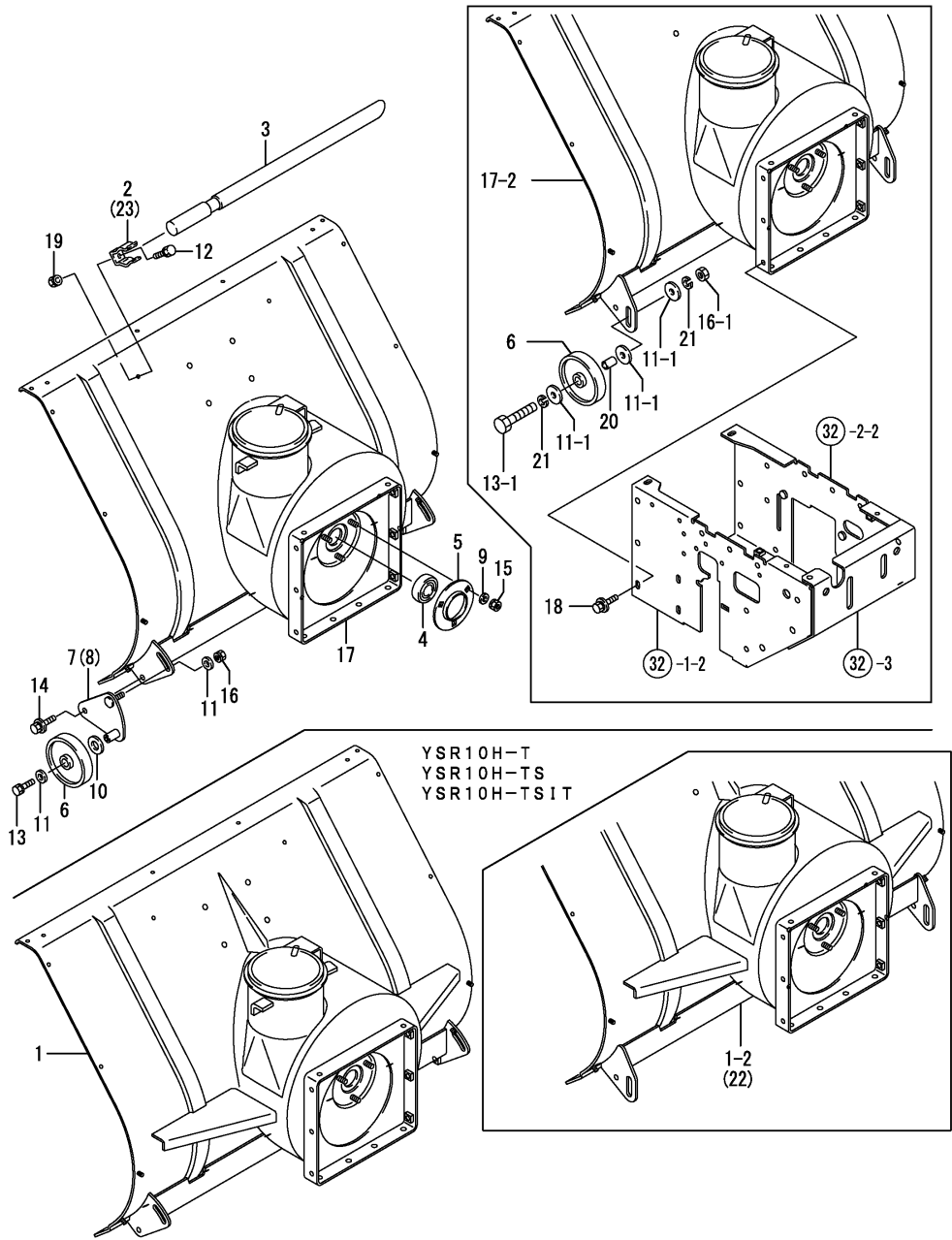


Fig.39. SNOW REMOVING FRAME



YSR10H-T
YSR10H-TS
YSR10H-TS1T

(A)=YSR9H-T (D)=YSR10H-TS
(B)=YSR9H-TS (E)=YSR10H-TS1T
(C)=YSR10H-T (F)=

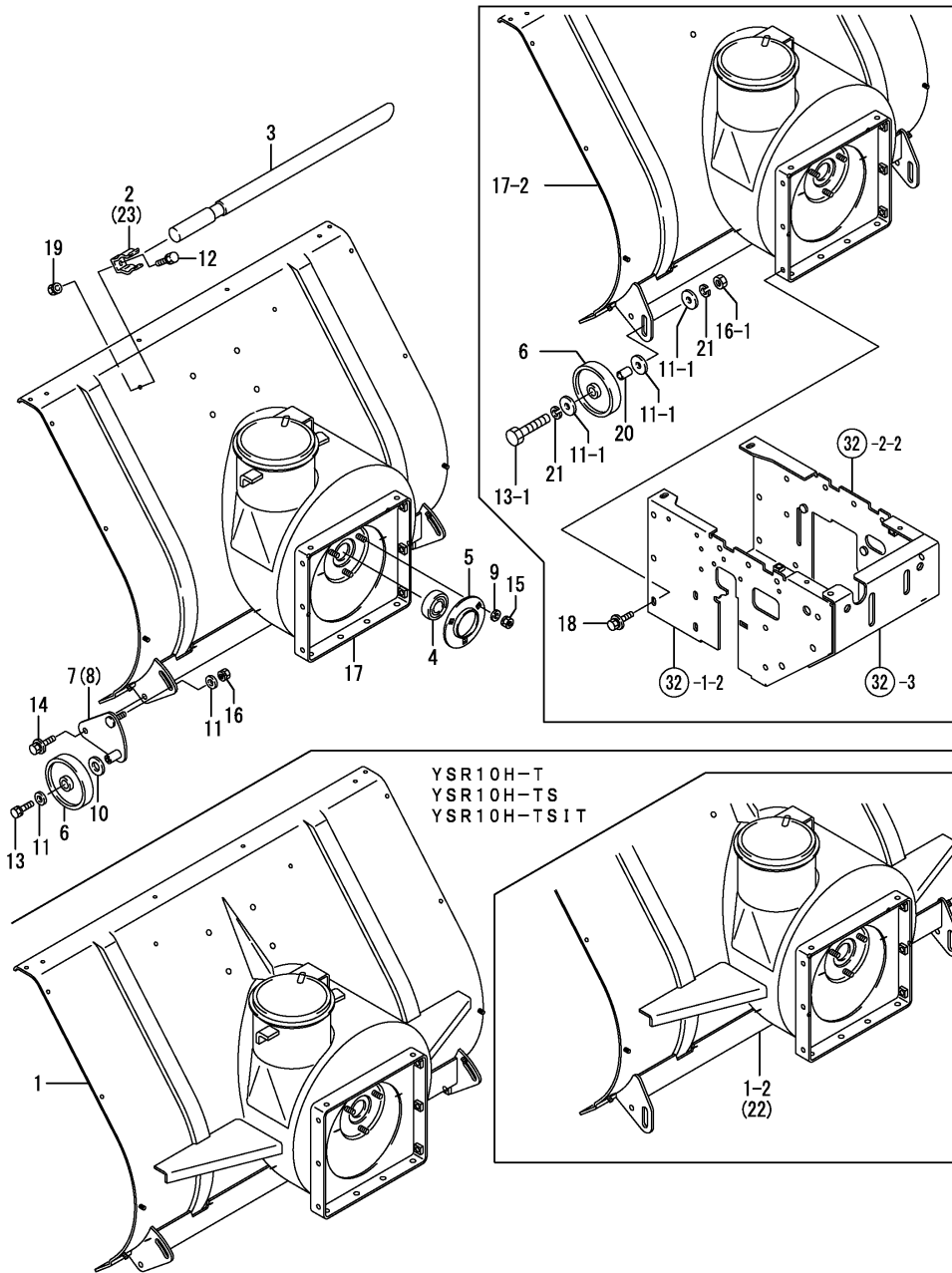
REF.	LEV.	PARTS NO.	DESCRIPTION	QTY						I	R
				(A)	(B)	(C)	(D)	(E)	(F)		
1	1	1N3021-71000	FRAME,SNOW REMOVING				1	1	1		
I	1-1	1N3021-71001	(C=F010001) (D=F010057)				1	1	1		N
I	1-2	1N3021-71002	(C=F010001) (D=F010072)				1	1			S
2	1	1N1710-71060	METAL,LOCK	2	2	2	2	2			
I	2-1	1N1710-71062	STOPPER (A=F010001) (B=F010001) (C=F010001) (D=F010001)	2	2	2	2				N
3	1	1N1710-71071	ROD,SNOW SHOVELING	1	1	1	1	1			
I	3-1	1N1710-71072	ROD,SNOW SHOVELING (A=F010290) (B=F010516) (C=F010008) (D=F010608) (E=F010016)	1	1	1	1	1			R
4	1	1N3021-71250	BEARING SC204	1	1	1	1	1			
5	1	1N3021-71260	HOLDER,BEARING	1	1	1	1	1			
6	1	1N3021-71400	ROLLER,GAUGE	2	2	2	2	2			
I	7	1N3021-71450	SEAT L,GAUGE ROLLER (A=F010007) (B=F010005) (C=F010001) (D=F010072)	1	1	1	1				Z
I	8	1N3021-71490	SEAT R,GAUGE ROLLER (A=F010007) (B=F010005) (C=F010001) (D=F010072)	1	1	1	1				Z
9	1	22137-080000	WASHER 8, POLISHED	3	3	3	3	3			
I	10	22137-140000	WASHER 14,POLISHED (A=F010007) (B=F010005) (C=F010001) (D=F010072)	2	2	2	2				Z
11	1	22157-080000	WASHER 8	4	4	4	4	4			
I	11-1	1C6320-24440	WASHER 10.5X32X4.5 (A=F010007) (B=F010005) (C=F010001) (D=F010072)	6	6	6	6	6			S
12	1	26016-060124	BOLT 6X12 W/L.W.	2	2	2	2	2			
I	12-1	26117-060122	BOLT M 6X 12 PLATED (A=F010007) (B=F010005) (C=F010001) (D=F010057)	2	2	2	2	2			R
13	1	26016-080162	BOLT M 8X 16	2	2	2	2	2			
I	13-1	26116-100502	BOLT M10X 50 PLATED (A=F010007) (B=F010005) (C=F010001) (D=F010072)	2	2	2	2	2			S
I	14	26018-080202	BOLT M 8X 20 (A=F010007) (B=F010005) (C=F010001) (D=F010072)	2	2	2	2	2			Z
15	1	26051-080002	NUT M 8	3	3	3	3	3			
I	16	26051-080002	NUT M 8 (A=F010007) (B=F010005) (C=F010001) (D=F010072)	2	2	2	2	2			
I	16-1	26717-100002	NUT M10 (A=F010007) (B=F010005) (C=F010001) (D=F010072)	2	2	2	2	2			S
17	1	1N3269-71000	FRAME 710,SNOW REMOV	1	1						
I	17-1	1N3269-71001	(A=F010007) (B=F010005)	1	1						N
I	17-2	1N3269-71002	(A=F010007) (B=F010005)	1	1						S
I	18	26018-080164	BOLT M 8X 16 (A=F010001) (B=F010001) (C=F010001) (D=F010001)	8	8	8	8	8			W
I	18-1	26018-080162	BOLT M 8X 16 (A=F010007) (B=F010005) (C=F010001) (D=F010057)	8	8	8	8	8			N
I	19	26051-060002	NUT M 6 (A=F010007) (B=F010005) (C=F010001) (D=F010057)	2	2	2	2	2			W
I	20	1N3021-71420	COLLAR (A=F010007) (B=F010005) (C=F010001) (D=F010072)	2	2	2	2	2			W
I	21	22217-100000	SPRING WASHER 10 (A=F010007) (B=F010005) (C=F010001) (D=F010072)	2	2	2	2	2			W

N:Old $\begin{matrix} \text{Yes} \\ \text{No} \end{matrix}$ New, Q:Old $\begin{matrix} \text{No} \\ \text{Yes} \end{matrix}$ New, R:Old $\begin{matrix} \text{Yes} \\ \text{No} \end{matrix}$ New, S:Old $\begin{matrix} \text{No} \\ \text{Yes} \end{matrix}$ New, W:Add, Z:Discontinued, F:Interchangeable by set, K:Q'ty Change
++ CONTINUE ++
(C)Copy Rights YANMAR CO.,LTD.

Fig.39. SNOW REMOVING FRAME

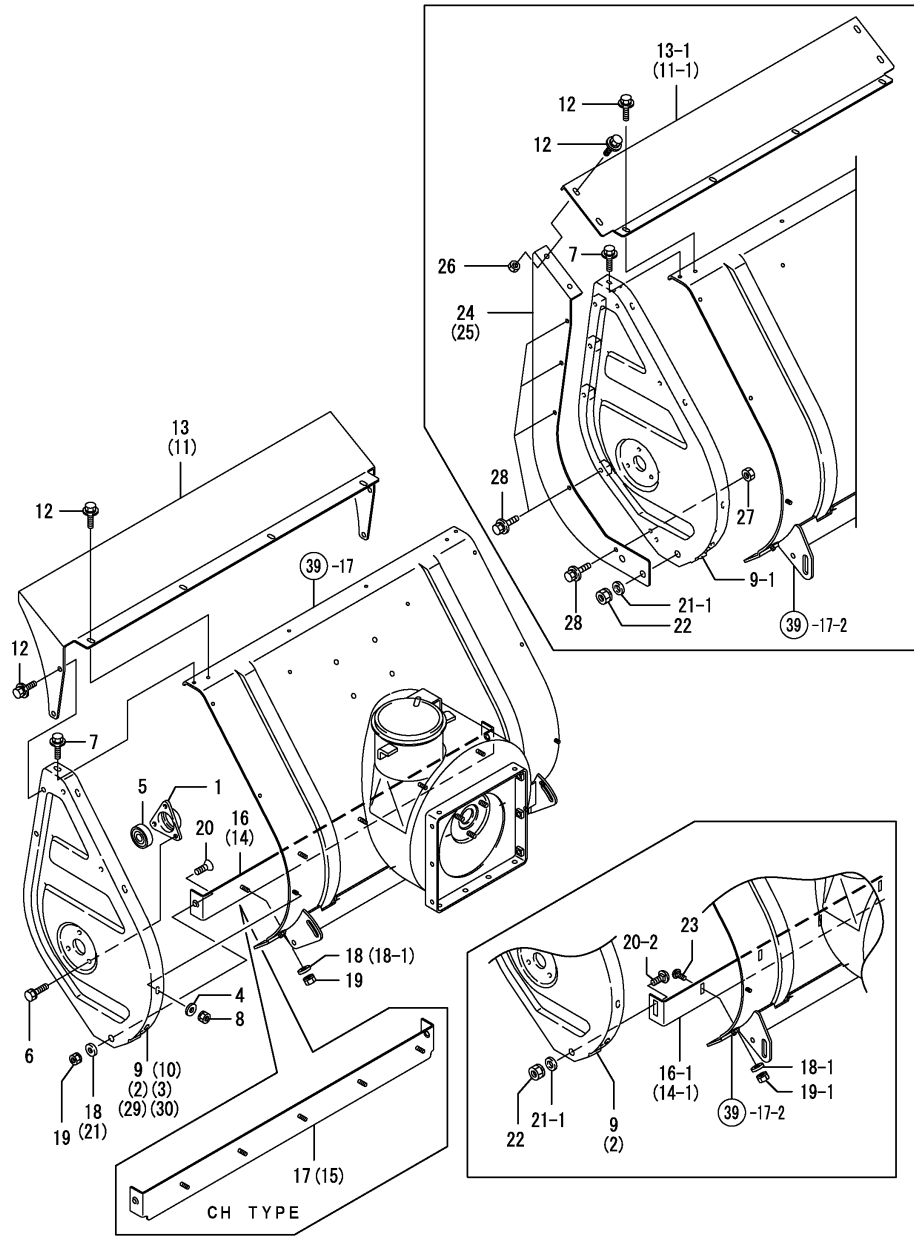
(A)=YSR9H-T
(B)=YSR9H-TS
(C)=YSR10H-T

(D)=YSR10H-TS
(E)=YSR10H-TSIT
(F)=



REF.	LEV.	PARTS NO.	DESCRIPTION	QTY						I	R	
				(A)	(B)	(C)	(D)	(E)	(F)			
I	22	1	1N3021-71002-1								1	
I	23	1	1N1710-71062-1								2	

Fig.40. AUGER COVER



Remarks
(1) FOR TYPE T,TS

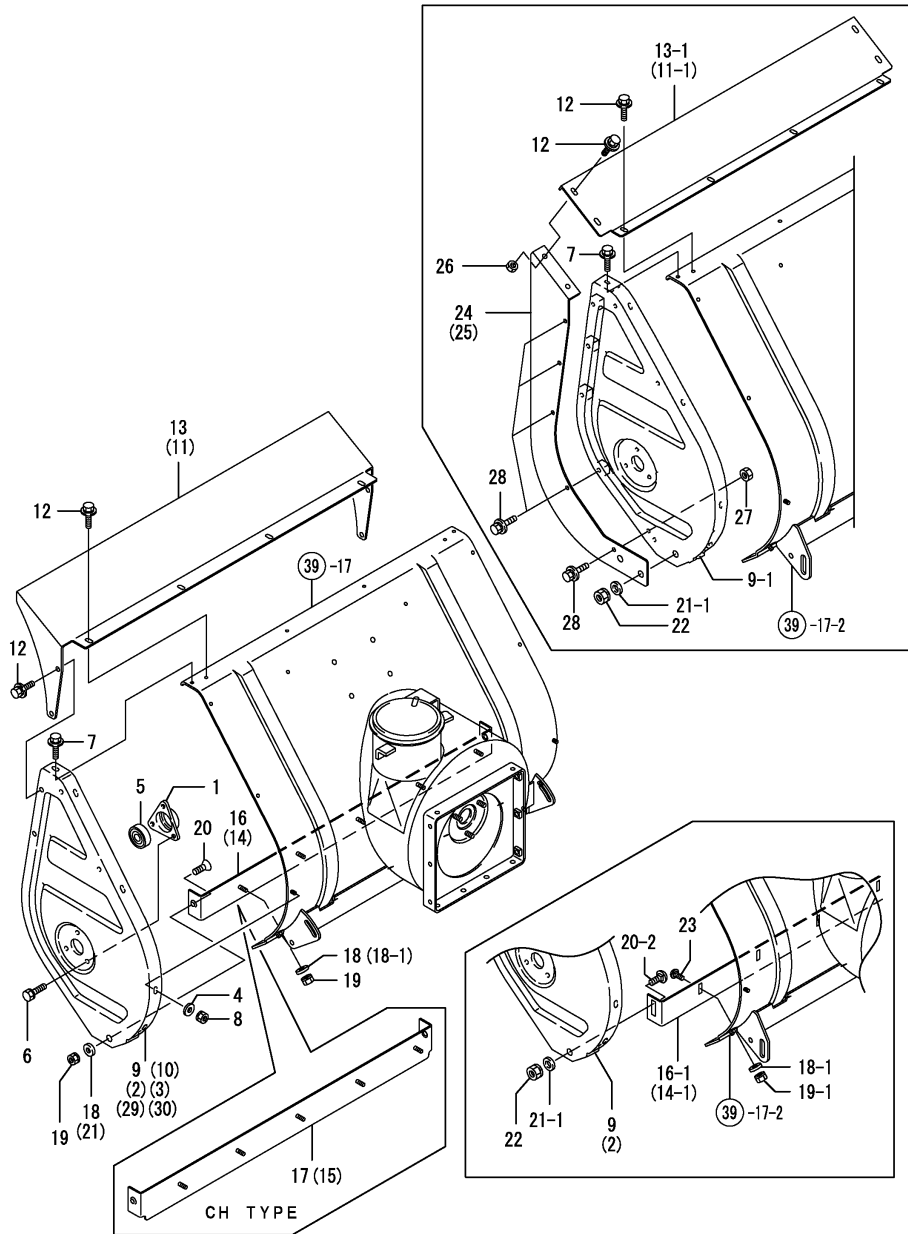
(A)=YSR9H-T
(B)=YSR9H-TS
(C)=YSR10H-T
(D)=YSR10H-TS
(E)=YSR10H-TSIT
(F)=

REF.	LEV.	PARTS NO.	DESCRIPTION	QTY						I	R
				(A)	(B)	(C)	(D)	(E)	(F)		
1	1	1N1570-38200	BEARING 6203C	2	2	2	2	2			
2	1	1N3021-71200	PLATE L,AUGER SIDE			1	1				
I 2-1	1	1N1960-71551	PLATE L CMP,AUGER SD (C=F010008) (D=F010438)			1	1			N 1	
3	1	7N3021-71210	PL.AS.,AUGER SD.PL.R			1	1				
I 3-1	1	7N3020-71560	PL.AS.,AUGER SD.PL.R (C=F010008) (D=F010438)			1	1			N 1	
4	1	22137-060000	WASHER 6, POLISHED	4	4	4	4	4			
5	1	24104-062034	BALL BEARING	2	2	2	2	2			
6	1	26016-080162	BOLT M 8X 16	6	6	6	6	6			
7	1	26018-060164	BOLT M 6X 16	6	6	6	6	6			
I 7-1	1	26018-060124	BOLT M 6X 12 (A=F010001) (B=F010001) (C=F010001) (D=F010001)	6	6	6	6	6		R	
8	1	26051-060002	NUT M 6	4	4	4	4	4			
9	1	1N3021-71300	PLATE L,AUGER SIDE	1	1						
I 9-1	1	1N1720-82221	PLATE L CMP,AUGER SD (A=F010150) (B=F010276)	1	1					N	
10	1	7N3269-71350	PL.AS.,AUGER SD.PL.R	1	1						
I 10-1	1	7N3300-82240	PL.AS.,AUGER SD.PL.R (A=F010150) (B=F010276)	1	1					N	
11	1	1N3021-71500	COVER,AUGER CASE			1	1				
I 11-1	1	1N3021-71550	 (C=F010008) (D=F010438)			1	1	1		S 1	
12	1	26018-060124	BOLT M 6X 12	8	8	8	8	8			
13	1	1N3269-71500	COVER 710,AUGER CASE	1	1						
I 13-1	1	1N3269-71550	 (A=F010150) (B=F010276)	1	1					S	
14	1	1N3021-71600	PLATE,BOTTOM			1	1				
I 14-1	1	1N3020-71300	PLATE,BOTTOM 800 (C=F010003) (D=F010213)			1	1			S	
I 14-2	1	1N3020-71301	PLATE,BOTTOM(800 (C=F010008) (D=F010438)			1	1	1		N	
15	1	1N3021-71700	PLATE,BOTTOM			1	1	1			
16	1	1N3269-71600	PLATE 710,BOTTOM	1	1						
I 16-1	1	1N3300-71300	PLATE,BACK. (A=F010021) (B=F010046)	1	1					S	
I 16-2	1	1N3300-71301	PLATE,BOTTOM(710 (A=F010150) (B=F010276)	1	1					N	
17	1	1N3269-71700	PLATE,BOTTOM	1	1						
18	1	22137-060000	WASHER 6, POLISHED	7	7	7	7				
I 18-1	1	22137-060000	WASHER 6, POLISHED (A=F010001) (B=F010001) (C=F010001) (D=F010001)	5	5	5	5	5		K	
19	1	26051-060002	NUT M 6	7	7	7	7				
I 19-1	1	26051-060002	NUT M 6 (A=F010021) (B=F010046) (C=F010003) (D=F010213)	5	5	5	5	5		K	
20	1	26577-060122	SCREW M 6X 12	2	2	2	2				
I 20-1	1	26577-060162	SCREW M 6X 16 (A=F010001) (B=F010001) (C=F010001) (D=F010001)	2	2	2	2			N	
I 20-2	1	26487-080202	BOLT 8*20 (A=F010021) (B=F010046) (C=F010003) (D=F010213)	2	2	2	2			S	
I 20-3	1	1N3020-71320	BOLT, 8X20	2	2	2	2	2		N	

Fig.40. AUGER COVER

(A)=YSR9H-T
(B)=YSR9H-TS
(C)=YSR10H-T

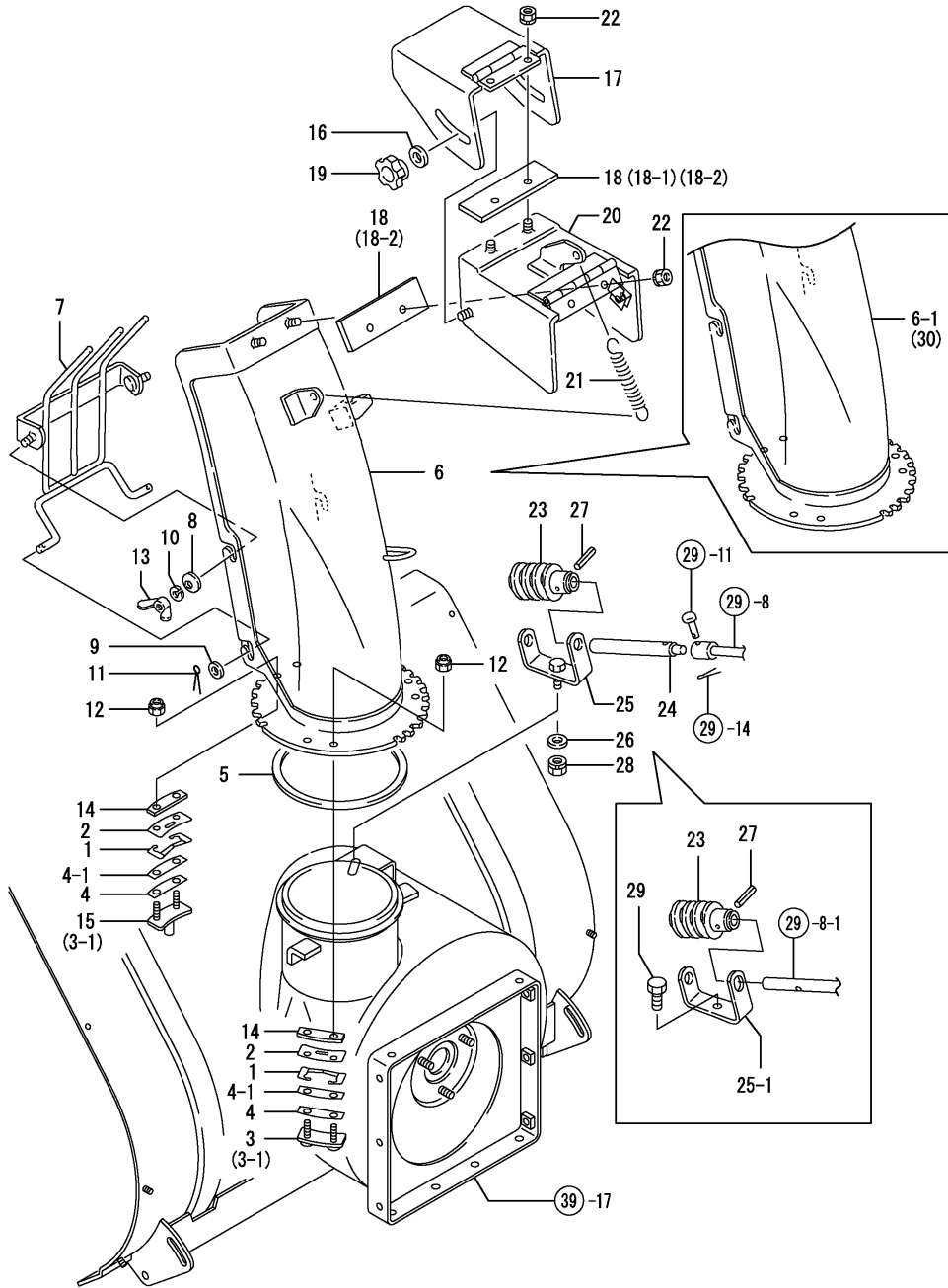
(D)=YSR10H-TS
(E)=YSR10H-TSIT
(F)=



REF.	LEV.	PARTS NO.	DESCRIPTION	QTY						I	R	
				(A)	(B)	(C)	(D)	(E)	(F)			
I	21	(A=F010021) 1 J33999-02010 (A=F010001)	(B=F010046) WASHER 6 (B=F010001)	(C=F010003) (C=F010001)	(D=F010213) (D=F010001)	2	2	2	2			W
I	21-1	1 22137-080000 (A=F010021)	WASHER 8, POLISHED (B=F010046)	(C=F010003) (C=F010003)	(D=F010213) (D=F010213)	2	2	2	2	2		S
I	22	1 26051-080002 (A=F010021)	NUT M 8 (B=F010046)	(C=F010003) (C=F010003)	(D=F010213) (D=F010213)	2	2	2	2	2		W
I	23	1 26487-060162 (A=F010021)	BOLT 6X 16 (B=F010046)	(C=F010003) (C=F010003)	(D=F010213) (D=F010213)	5	5	5	5	5		W
I	23-1	1 1N3300-71320 (A=F010021)	BOLT (B=F010046)	(C=F010003) (C=F010003)	(D=F010213) (D=F010213)	5	5	5	5	5		N
I	24	1 1N3021-71750 (A=F010150)	 (B=F010276)	(C=F010008) (C=F010008)	(D=F010438) (D=F010438)	1	1	1	1	1		W 1
I	25	1 1N3021-71800 (A=F010150)	 (B=F010276)	(C=F010008) (C=F010008)	(D=F010438) (D=F010438)	1	1	1	1	1		W 1
I	26	1 26717-060002 (A=F010150)	NUT M 6 (B=F010276)	(C=F010008) (C=F010008)	(D=F010438) (D=F010438)	4	4	4	4	4		W 1
I	27	1 26717-060002 (A=F010150)	NUT M 6 (B=F010276)	(C=F010008) (C=F010008)	(D=F010438) (D=F010438)	2	2	2	2	2		W 1
I	28	1 26018-060124 (A=F010150)	BOLT M 6X 12 (B=F010276)	(C=F010008) (C=F010008)	(D=F010438) (D=F010438)	10	10	10	10	10		W 1
I	29	1 1N3021-71200-1	PLATE L,AUGER SIDE								1	
I	29-1	1 1N1960-71551-1	PLATE L CMP,AUGER SD								1	N
							(E=F010016)					
I	30-1	1 7N3020-71560-1	PL.AS.,AUGER SD.PL.R								1	N
							(E=F010016)					

Remarks
(1) FOR TYPE T,TS

Fig.41. CHUTE



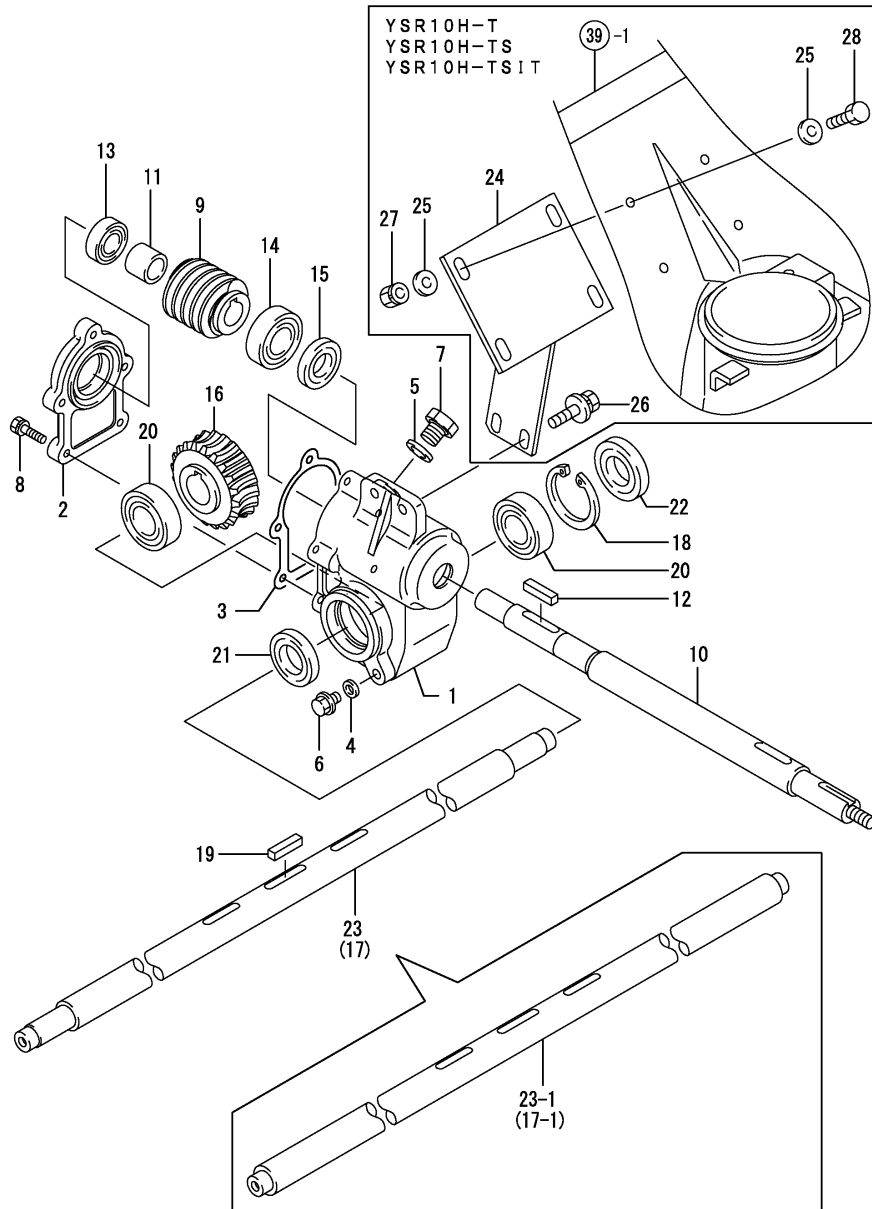
(A)=YSR9H-T
(B)=YSR9H-TS
(C)=YSR10H-T
(D)=YSR10H-TS
(E)=YSR10H-TSIT
(F)=

REF.	LEV.	PARTS NO.	DESCRIPTION	QTY						I	R
				(A)	(B)	(C)	(D)	(E)	(F)		
I	1	1 1N3021-73100 (A=F010007) (B=F010005) (C=F010001) (D=F010072)	SPRING,SHOOTER RETNR	3	3	3	3				Z
I	2	1 1N3021-73150 (A=F010007) (B=F010005) (C=F010001) (D=F010072)	PLATE,SHOOTER KEEP	3	3	3	3				Z
	3	1 1N3021-73200	FIXTURE A,SHOOTER	2	2	2	2				
I	3-1	1 1N3021-73201 (A=F010007) (B=F010005) (C=F010001) (D=F010072)	FIXTURE A,SHOOTER	3	3	3	3	3			N
	4	1 1N1723-73250	SHIM	3	3	3	3				
I	4-1	1 1N1723-73250	SHIM	6	6	6	6				K
		(A=F010001) (B=F010001) (C=F010001) (D=F010001)									
I	4-2	1 1N3021-73240 (A=F010007) (B=F010005) (C=F010001) (D=F010072)	SHIM, CHUTE 0.8	3	3	3	3	3			N
		(A=F010007) (B=F010005) (C=F010001) (D=F010072)									
	5	1 1N1711-73280	PLATE,FLOOR	1	1	1	1	1			
	6	1 7N3021-73000	PL.AS.,SHOOT.TXE CMP	1	1	1	1	1			
I	6-1	1 7N3021-73001 (A=F010007) (B=F010005) (C=F010001) (D=F010057)	PL.AS.,SHOOT.TXE CMP	1	1	1	1				S
		(A=F010007) (B=F010005) (C=F010001) (D=F010072)									
I	6-2	1 7N3021-73002 (A=F010007) (B=F010005) (C=F010001) (D=F010072)	PL.AS.,SHOOT.TXE CMP	1	1	1	1				N
		(A=F010007) (B=F010005) (C=F010001) (D=F010072)									
	7	1 1N1960-73502	GUARD	1	1	1	1	1			
	8	1 1N1711-73700	WASHER 6,CONICAL SPR	2	2	2	2	2			
I	8-1	1 22157-060000 (A=F010290) (B=F010476) (C=F010008) (D=F010568)	WASHER 6	2	2	2	2	2			N
		(A=F010290) (B=F010476) (C=F010008) (D=F010568)									
I	9	1 22137-060000	WASHER 6, POLISHED	2	2	2	2	2			
I	10	1 22217-060000 (A=F010290) (B=F010476) (C=F010008) (D=F010568)	SPRING WASHER 6	2	2	2	2	2			Z
		(A=F010290) (B=F010476) (C=F010008) (D=F010568)									
	11	1 22417-200120	COTTER PIN 2.0X12	2	2	2	2	2			
	12	1 26347-060002	U-NUT M 6	6	6	6	6	6			
	13	1 26635-060002	WING NUT M 6	2	2	2	2	2			
I	13-1	1 26051-060002 (A=F010290) (B=F010476) (C=F010008) (D=F010568)	NUT M 6	2	2	2	2	2			N
		(A=F010290) (B=F010476) (C=F010008) (D=F010568)									
	14	1 1N1711-73240	SPACER	3	3	3	3	3			
I	15	1 1N3021-73250 (A=F010007) (B=F010005) (C=F010001) (D=F010072)	FIXTURE B,SHOOTER	1	1	1	1				Z
		(A=F010007) (B=F010005) (C=F010001) (D=F010072)									
	16	1 1J3999-02010	WASHER 6	2	2	2	2	2			
	17	1 1N1711-73140	CAP COMP.,SUB-CHUTE	1	1	1	1	1			
	18	1 1N1711-73170	RUBBER,SNOW PROTECT.	2	2	2	2				
I	18-1	1 1N1711-73170 (A=F010007) (B=F010005) (C=F010001) (D=F010072)	RUBBER,SNOW PROTECT.	1	1	1	1	1			K
		(A=F010007) (B=F010005) (C=F010001) (D=F010072)									
I	18-2	1 1N1711-73170 (A=F010290) (B=F010476) (C=F010008) (D=F010568)	RUBBER,SNOW PROTECT.	2	2	2	2	2			K
		(A=F010290) (B=F010476) (C=F010008) (D=F010568)									
	19	1 1N1711-73200	NUT,THUMB	2	2	2	2	2			
	20	1 1N3021-73300	CAP COMP.,SHOOTER	1	1	1	1	1			
	21	1 1N3021-73400	SPRING 17X65	1	1	1	1	1			
	22	1 26051-060002	NUT M 6	4	4	4	4	4			
	23	1 1N1711-73320	WORM 3.5X3 R	1	1	1	1	1			
I	24	1 1N1711-73330 (A=F010007) (B=F010005) (C=F010001) (D=F010072)	SHAFT,WORM	1	1	1	1				Z
		(A=F010007) (B=F010005) (C=F010001) (D=F010072)									
	25	1 1N1723-73400	SEAL, WARM	1	1	1	1				
I	25-1	1 1N3021-73350 (A=F010007) (B=F010005) (C=F010001) (D=F010072)	BEARING,WORM	1	1	1	1	1	1		S
		(A=F010007) (B=F010005) (C=F010001) (D=F010072)									
	26	1 22137-080000	WASHER 8, POLISHED	1	1	1	1	1			

Fig.42. GEAR CASE

(A)=YSR9H-T
(B)=YSR9H-TS
(C)=YSR10H-T

(D)=YSR10H-TS
(E)=YSR10H-TSIT
(F)=

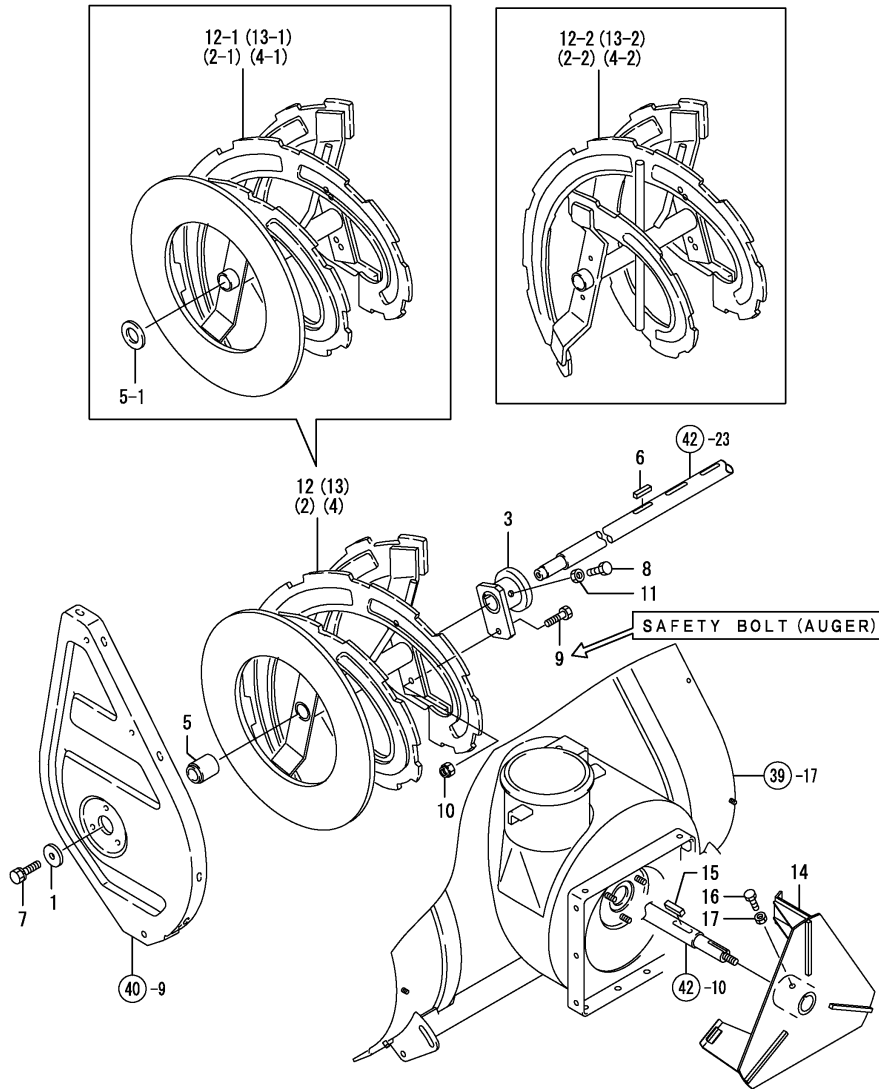


REF.	LEV.	PARTS NO.	DESCRIPTION	QTY						I	R
				(A)	(B)	(C)	(D)	(E)	(F)		
1	1	1N3021-74000	CASE,SNOW RMV.GEAR	1	1	1	1	1			
2	1	1N3021-74010	COVER,SNOW RMV.GR.CS	1	1	1	1	1			
3	1	1N3021-74020	PACKING,SNOW RMV.CS.	1	1	1	1	1			
4	1	22190-080000	SEAL WASHER 8(BOLT)	1	1	1	1	1			
5	1	22190-140000	SEAL WASHER 14(BOLT)	1	1	1	1	1			
6	1	26107-080162	BOLT M 8X 16 PLATED	1	1	1	1	1			
7	1	1N3021-74130	BOLT M14,DRAIN	1	1	1	1	1			
8	1	26016-060252	BOLT M 6X 25	5	5	5	5	5			
9	1	1N3021-74030	WORM 3L2	1	1	1	1	1			
10	1	1N3021-74050	SHAFT,BLOWER	1	1	1	1	1			
11	1	1N3021-74080	COLLAR 18X25X20.5	1	1	1	1	1			
12	1	22550-070300	KEY 7X30	1	1	1	1	1			
13	1	24101-060034	BALL BEARING	1	1	1	1	1			
14	1	24101-062044	BALL BEARING #6204	1	1	1	1	1			
15	1	24421-204008	SEAL TC20 40 08, OIL	1	1	1	1	1			
16	1	1N3021-74040	WHEEL 3X20,WORM	1	1	1	1	1			
17	1	1N3021-74060	SHAFT 800,AUGER			1	1	1			
17-1	1	1N3021-74061	SHAFT 800,AUGER			1	1	1		S	
			(C=F010001) (D=F010072)								
18	1	22252-000520	CIRCLIP 52	1	1	1	1	1			
19	1	22550-070350	KEY 7X35	1	1	1	1	1			
20	1	24101-062054	BEARING #6205	2	2	2	2	2			
21	1	24421-254508	SEAL TC254508, OIL	1	1	1	1	1			
22	1	24421-255210	OIL SEAL TC255210	1	1	1	1	1			
23	1	1N3269-74060	SHAFT 710,AUGER	1	1						
23-1	1	1N3269-74061	SHAFT 710,AUGER	1	1					S	
			(A=F010007) (B=F010005)								
24	1	1N3021-74200	FIXTURE,GEAR CASE			1	1	1			
25	1	22137-080000	WASHER 8, POLISHED			8	8	8			
26	1	26018-080202	BOLT M 8X 20			2	2	2			
27	1	26051-080002	NUT M 8			4	4	4			
28	1	26117-080202	BOLT M 8X 20 PLATED			4	4	4			

Fig.43. AUGER & BLOWER

(A)=YSR9H-T
(B)=YSR9H-TS
(C)=YSR10H-T

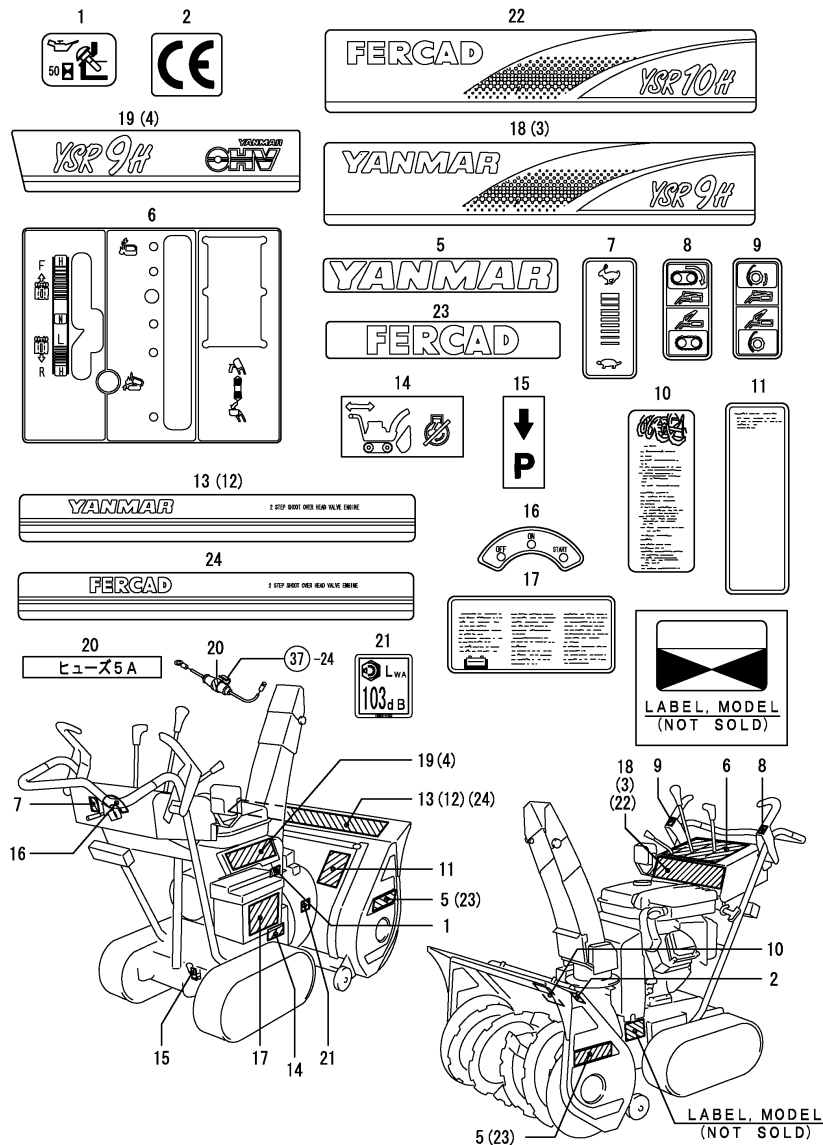
(D)=YSR10H-TS
(E)=YSR10H-TSIT
(F)=



REF.	LEV.	PARTS NO.	DESCRIPTION	QTY						I	R
				(A)	(B)	(C)	(D)	(E)	(F)		
1	1	1J3940-14250	WASHER 8.5X30X4.5	2	2	2	2				
I 1-1	1	1J3999-02050	WASHER	2	2	2	2	2			N
		(A=F010001) (B=F010001) (C=F010001) (D=F010001)									
2	1	1N3021-75000	AUGER 800 L			1	1				
I 2-1	1	1N3021-75001	AUGER 800 L			1	1				S
		(C=F010001) (D=F010072)									
I 2-2	1	1N3021-75002				1	1	1			S 1
		(C=F010008) (D=F010438)									
3	1	1N3021-75200	FLANGE,AUGER	2	2	2	2	2			
I 3-1	1	1N3021-75201	FLANGE,AUGER	2	2	2	2	2			N
		(A=F010007) (B=F010005) (C=F010001) (D=F010072)									
4	1	1N3021-75250	AUGER 800 R			1	1	1			
I 4-1	1	1N3021-75251	AUGER 800 R			1	1	1			S
		(C=F010001) (D=F010072)									
I 4-2	1	1N3021-75252				1	1	1			S 1
		(C=F010008) (D=F010438)									
5	1	1N3021-75400	COLLAR 20X32X25.8	2	2	2	2	2			
I 5-1	1	22117-240000	WASHER 24	2	2	2	2	2			S
		(A=F010007) (B=F010005) (C=F010001) (D=F010072)									
I 5-2	1	22137-240000	WASHER 24,POLISHED	2	2	2	2	2			R
		(A=F010007) (B=F010005) (C=F010001) (D=F010072)									
6	1	22550-070300	KEY 7X30	2	2	2	2	2			
7	1	26016-080202	BOLT M 8X 20	2	2	2	2	2			
8	1	26116-080162	BOLT 8X16	2	2	2	2	2			
I 8-1	1	26116-080202	BOLT M 8X 20 PLATED	2	2	2	2	2			N
		(A=F010001) (B=F010001) (C=F010001) (D=F010001)									
9	1	26117-080302	BOLT M 8X 30	2	2	2	2	2			
10	1	26347-080002	U-NUT M 8	2	2	2	2	2			
11	1	26717-080002	NUT 8	2	2	2	2	2			
12	1	1N3269-75000	AUGER 710 L	1	1						
I 12-1	1	1N3269-75001	AUGER 710 L	1	1						S
		(A=F010007) (B=F010005)									
I 12-2	1	1N3269-75002	AUGER 710 L	1	1						S 1
		(A=F010150) (B=F010276)									
13	1	1N3269-75250	AUGER 710 R	1	1						
I 13-1	1	1N3269-75251	AUGER 710 R	1	1						S
		(A=F010007) (B=F010005)									
I 13-2	1	1N3269-75252	AUGER 710 R	1	1						S 1
		(A=F010150) (B=F010276)									
14	1	1N3021-76000	BLOWER COMPL.	1	1	1	1	1			
15	1	22550-070300	KEY 7X30	1	1	1	1	1			
16	1	26116-080202	BOLT M 8X 20 PLATED	1	1	1	1	1			
17	1	26717-080002	NUT 8	1	1	1	1	1			

Remarks
(1) FOR TYPE T,TS

Fig.44. LABELS



Remarks
 (1) FOR TYPE T,TS
 TOTAL LENGTH=REF.NO.12,24 780M/M,
 12-1,24-1 690M/M.
 TOTAL LENGTH=REF.NO.13 690M/M,
 13-1 650M/M.

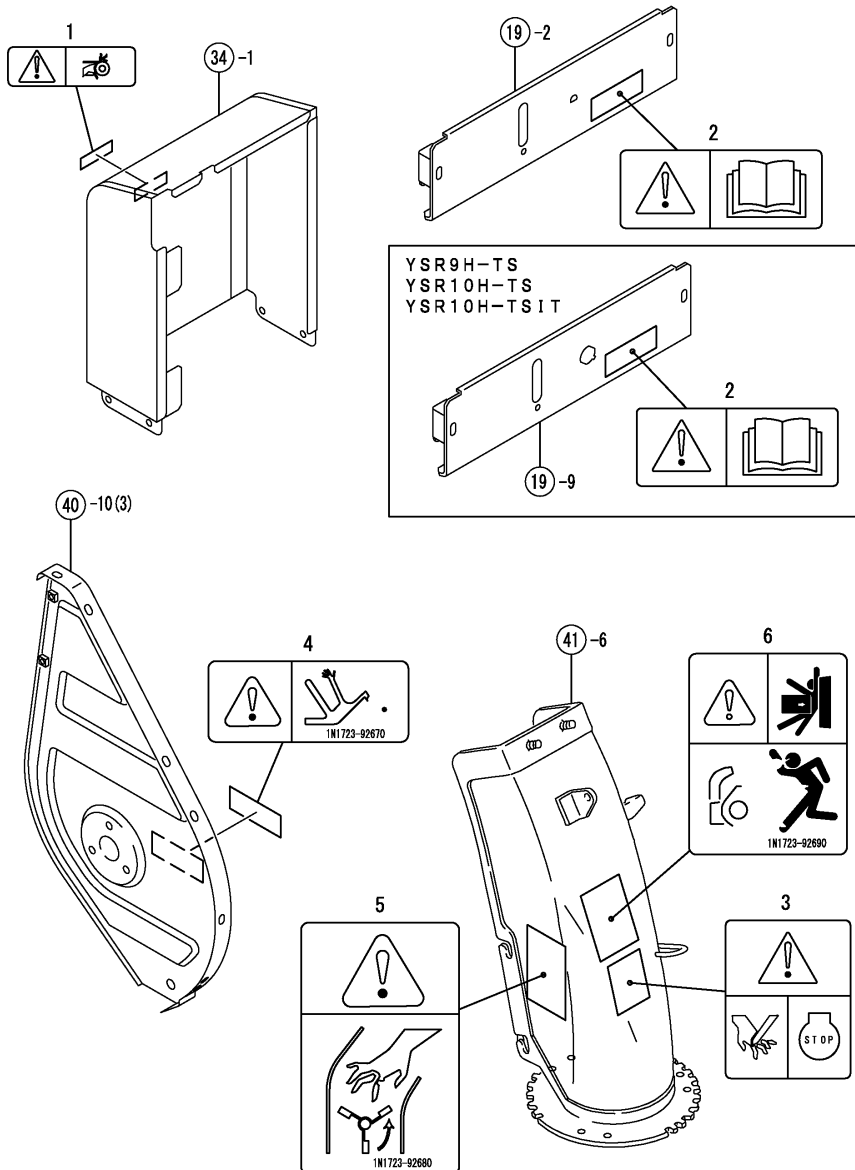
(A)=YSR9H-T
 (B)=YSR9H-TS
 (C)=YSR10H-T
 (D)=YSR10H-TS
 (E)=YSR10H-TSIT
 (F)=

REF.	LEV.	PARTS NO.	DESCRIPTION	QTY						I	R
				(A)	(B)	(C)	(D)	(E)	(F)		
1	1	1N1711-68220	MARK,OIL CHECK	1	1	1	1	1			
2	1	1E1061-86610	MARK CE	1	1	1	1	1			
3	1	1N3021-91020	LABEL,MODEL 10H1			1	1				
4	1	1N3021-91030	LABEL,MODEL 10H2			1	1	1			
5	1	1N3021-91050	LABEL,YAMMAR	2	2	2	2				
6	1	1N3021-91070	LABEL,CONTROL	1	1	1	1	1			
7	1	1N3021-91080	LABEL	1	1	1	1	1			
8	1	1N3021-91100	MARK,TRAVEL CLUTCH	1	1	1	1	1			
9	1	1N3021-91110	MARK,SNOW REM.CLUTCH	1	1	1	1	1			
10	1	1N1723-92550	LEBEL,BOLT REPLACEM	1	1	1	1				
I 10-1	1	1N3300-91200	LABEL,BOLT REPLACE	1	1	1	1	1			N
		(A=F010007) (B=F010007) (C=F010001) (D=F010154)									
11	1	1N1713-92570	LABEL CAUTION	1	1	1	1	1			
12	1	1N3021-91060	MARK,STR			1	1				
I 12-1	1	1N3269-91060	MARK,STR			1	1				S 1
		(C=F010008) (D=F010438)									
13	1	1N3269-91060	MARK,STR	1	1						
I 13-1	1	1N3269-91100	MARK,STR	1	1						S 1
		(A=F010150) (B=F010276)									
14	1	1E3021-91250	MARK,NEUTRAL VALVE	1	1	1	1				
15	1	1E3021-91260	MARK,PARKING BRAKE	1	1	1	1				
16	1	1N3021-91090	MARK,SWITCH			1		1	1		
17	1	1N1723-92631	LABEL,BATTERY CAUTN			1		1	1		
18	1	1N3269-91020	LABEL,MODEL 9H1	1	1						
19	1	1N3269-91030	LABEL,MODEL 9H2	1	1						
I 20	1	1F1210-91080				1		1	1		W
		(B=F010005) (D=F010072)									
I 21	1	1N3300-91300	MARK, SOUND LEVEL	1	1	1	1	1	1		W
		(A=F010290) (B=F010401) (C=F010008) (D=F010567)									
I 22	1	1N3021-91510	LABEL, MODEL							1	
I 23	1	1N3021-91520	MARK, FERCAD							2	
I 24	1	1N3021-91530	MARK, STRIPE							1	
I 24-1	1	1N3021-91600	MARK, STRIPE							1	S 1
		(E=F010016)									

Fig.45. LABELS(SAFETY)

(A)=YSR9H-T
(B)=YSR9H-TS
(C)=YSR10H-T

(D)=YSR10H-TS
(E)=YSR10H-TSIT
(F)=

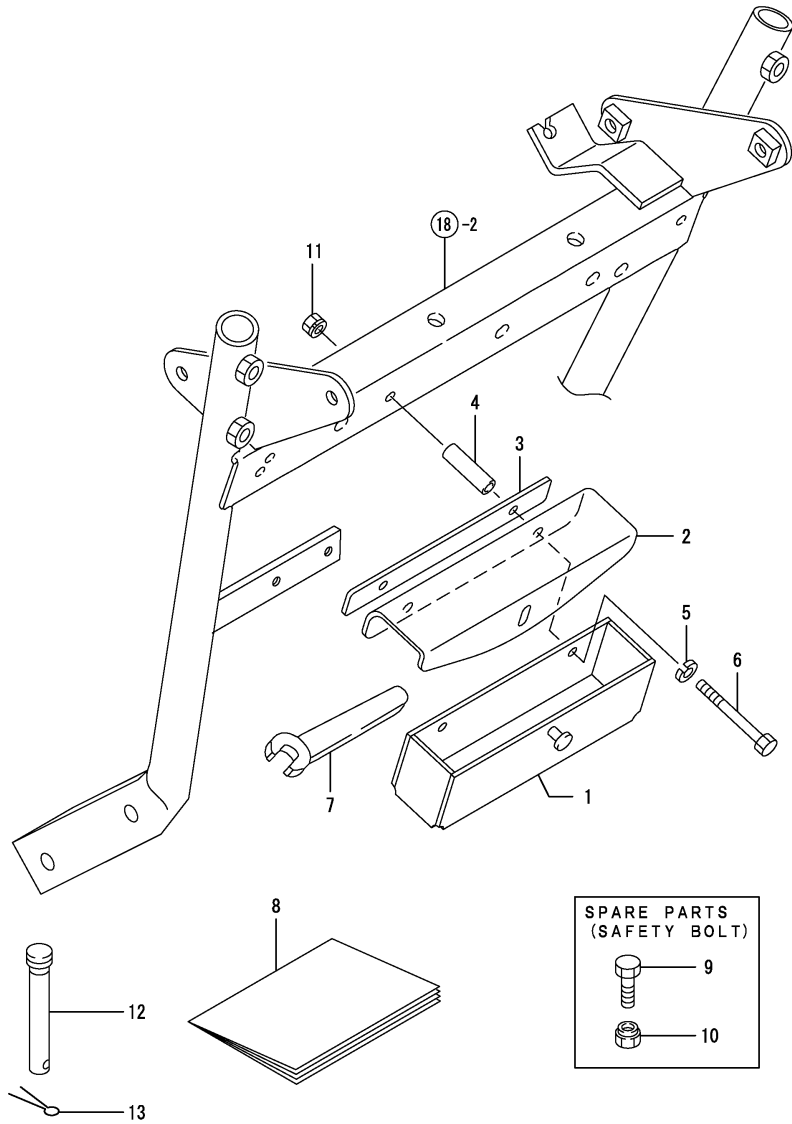


REF.	LEV.	PARTS NO.	DESCRIPTION	QTY						I	R
				(A)	(B)	(C)	(D)	(E)	(F)		
1	1	1W4909-92310	CAUTION,BELT,COVWR	1	1	1	1	1			
2	1	1W4909-92350	LABEL	1	1	1	1	1			
3	1	1W4909-92360	CAUTION,ENGINE,STOP	1	1	1	1	1			
4	1	1N1723-92670	DANGER,SNW.REMV.UNIT	1	1	1	1	1			
5	1	1N1723-92680	WARNING,SHOOTER	1	1	1	1	1			
6	1	1N1723-92690	WARNING,SCATTERINGS	1	1	1	1	1			

Fig.46. TOOLS & ACCESSORIES

(A)=YSR9H-T
(B)=YSR9H-TS
(C)=YSR10H-T

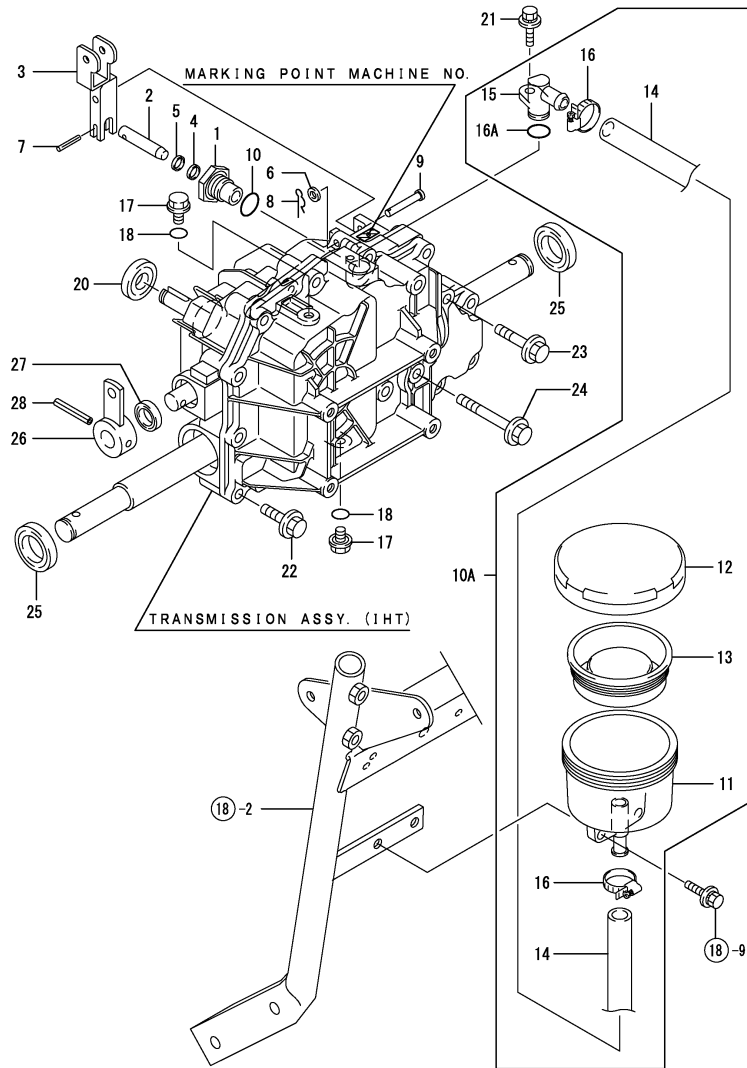
(D)=YSR10H-TS
(E)=YSR10H-TSIT
(F)=



REF.	LEV.	PARTS NO.	DESCRIPTION	QTY						I	R
				(A)	(B)	(C)	(D)	(E)	(F)		
1	1	1N3021-95100	BOX,TOOL	1	1	1	1	1			
2	1	1N3021-95200	RUBBER,COVER	1	1	1	1	1			
3	1	1N3021-95250	BRACKET	1	1	1	1	1			
4	1	1N3021-95300	COLLAR 6.5X10.5X35	2	2	2	2	2			
I 5	1	22217-060000	SPRING WASHER 6	2	2	2	2				Z
		(A=F010007) (B=F010005) (C=F010001) (D=F010072)									
6	1	26117-060552	BOLT M 6X 55 PLATED	2	2	2	2	2			
7	1	28110-100120	WRENCH 10X12	1	1	1	1	1			
8	1	1N3021-96100	INSTRUCTION BOOK	1	1	1	1				
9	1	26117-080302	BOLT M 8X 30	10	10	10	10	10			1
10	1	26347-080002	U-NUT M 8	10	10	10	10	10			1
I 11	1	26051-060002	NUT M 6	2	2	2	2	2			W
		(A=F010007) (B=F010005) (C=F010001) (D=F010072)									
I 12	1	1N3021-38101	PIN,AXLE	2	2	2	2	2			W
		(A=F010007) (B=F010007) (C=F010001) (D=F010154)									
I 13	1	22417-200120	COTTER PIN 2.0X12	2	2	2	2	2			W
		(A=F010007) (B=F010007) (C=F010001) (D=F010154)									

Remarks
(1) IT IS A SPARE PART FOR SAFETY BOLT, GROUP NO.43, REF. NO.9.

Fig.47. TRANSMISSION



(A)=YSR9H-T
(B)=YSR9H-TS
(C)=YSR10H-T

(D)=YSR10H-TS
(E)=YSR10H-TSIT
(F)=

REF.	LEV.	PARTS NO.	DESCRIPTION	QTY						I	R
				(A)	(B)	(C)	(D)	(E)	(F)		
1	1	1N3021-22050	JOINT,PARKING LOCK	1	1	1	1	1			
2	1	1N3021-22100	SHAFT,PARKING LOCK	1	1	1	1	1			
3	1	1N3021-22150	LEVER CMP.,PARK.LOCK	1	1	1	1	1			
4	1	1E6336-85450	SEAL,PENTA	1	1	1	1	1			
5	1	1E6336-85470	SCRAPER	1	1	1	1	1			
6	1	22137-060000	WASHER 6, POLISHED	1	1	1	1	1			
7	1	22351-040020	SPRING PIN 4X20	1	1	1	1	1			
8	1	22360-060000	SNAP PIN 6	1	1	1	1	1			
9	1	22487-060400	PIN 6X 40	1	1	1	1	1			
10	1	24311-000180	O-RING 1A P-18.0	1	1	1	1	1			
I	10A	1N3021-23040	SUB TANK KIT	1	1	1	1	1			
I	11	2	1N3021-23050	SUB TANK	1	1	1	1			
I	11-1	2	1N3021-23051	SUB TANK	1	1	1	1	1	N	
		(A=F010007)	(B=F010005)	(C=F010001)	(D=F010058)						
I	12	2	1N3021-23060	CAP, SUB-TANK	1	1	1	1	1		
I	13	2	1N3021-23070	DIAPHRAGM,SUB-TANK	1	1	1	1	1		
I	14	2	1N3021-23100	OIL HOSE	1	1	1	1	1		
I	15	2	194856-24920	ELBOW	1	1	1	1	1		
I	16	2	194856-24970	HOSE CLAMP 25	2	2	2	2	2		
I	16A	2	24311-000140	O-RING 1A P-14.0	1	1	1	1	1		
17	1	23491-080002	PLUG 8	2	2	2	2	2			
18	1	24311-000090	O-RING 1A P-9.0	2	2	2	2	2			
20	1	24421-153507	SEAL TC15 35 07, OIL	1	1	1	1	1			
21	1	26018-060162	BOLT M6X16	1	1	1	1	1			
22	1	26476-080302	BOLT M 8X 30	14	14	14	14	14			
23	1	26476-080402	TAPPING,SCREW 8* 40	1	1	1	1	1			
24	1	26476-080652	TAPPING SCREW 8*65	3	3	3	3	3			
25	1	24421-254208	SEAL TC25 42 08, OIL	2	2	2	2	2			
26	1	1N3021-26050	LEVER ASSY, CONTROL	1	1	1	1	1			
27	1	194065-27270	SEAL TC16 26 6, OIL	1	1	1	1	1			
28	1	22351-060040	SPRING PIN 6X40	1	1	1	1	1			

Remarks

NOTE: A MACHINE IN WHICH THE TRANSMISSION UNIT IS PUT INTO EFFECT BEARS THE STAMPED NUMBER TO INDICATE THIS GROUP NO.

*P/#7N3021-20010, TRANSMISSION (IHT)

ASSY.:

(PARTS OTHER THAN THOSE ILLUSTRATED CAN NOT BE DISASSEMBLED.)

Part Number Index

All parts are stipulated in the order of part numbers.

(Depending on the area in which the part is used.)

This index will display the location of the part according to each part number.

PARTS No. INDEX

PARTS No.	Fig.	Ref.No.
104200-59170	1	14
106990-44660	5	23
114250-14400	4	12
114250-45310	5	1
114252-13800	3	15
114252-13910	3	16
114252-13950	3	12 -1
		18
		23 -1
114252-13960	3	17
114270-01600	1	15
114370-45350	5	22
114371-77110	9	2
114371-77130	9	5
114371-77140	9	6
114371-77160	9	7
114371-77170	9	13
114371-77180	9	14
114371-79040	9	8
114371-79050	9	10
114371-79060	9	9
114371-79070	9	17
114770-61600	8	34
119520-03990	5	26 -1
124060-77680	5	26
124195-77770	9	16
124298-77020	9	15
129900-26250	1	17 -1
		22 -1
		24 -1
160110-01870	1	31
160110-02220	1	16
		23
160110-92710	12	3
160120-56600	7	29 -1
160120-56670	6	3
160120-56721	6	17
160120-76940	8	10
160120-92700	12	2
160210-56610	6	13
	7	11
160260-76620	10	11
	11	43
160260-78700	5	30
160310-14550	4	51
160310-56980	7	9
160310-56990	7	10
160341-01950	10	15
	11	1
160393-55050	5	6

PARTS No.	Fig.	Ref.No.
160495-56600	7	29
160520-07272	12	11
160520-66291	8	23
160598-77750	37	10
160610-01690	1	13
160610-03050	2	26
160610-55100	5	7
160610-56630	6	21
	7	19
160610-56900	6	28
	7	27
160611-04350	10	40
	11	23
160640-56850	6	26
160641-76570	10	8
	11	40
160664-66220	8	25
160667-56740	6	9
	7	22
160667-56750	6	8
	7	23
160670-66350	8	26
160690-07260	12	11 -1
160690-07400	12	12
160690-11221	2	18
160690-11280	2	20
160690-55140	5	22 -1
160690-55461	5	19
160690-55462	5	19 -1
160690-56560	6	3 -1
	7	2
160690-56570	6	5 -1
	7	4
160690-56630	7	19 -1
160690-61301	8	2
160690-61311	8	3
160690-61450	8	4
160690-61600	8	5
160690-66200	8	32
160690-66210	8	33
160690-78230	10	22
	11	26
	11	6
160692-55330	5	10
160692-56710	6	31
	7	25
160692-56770	6	30
160692-66051	8	14
160700-78040	10	17
	11	19

PARTS No.	Fig.	Ref.No.
160700-78050	10	18
	11	20
160700-78720	10	32
	11	21
160702-56720	6	25
	7	7
160708-77350	9	19
160708-92610	12	1
160710-55061	5	4
160710-55360	5	16
160710-55370	5	17
160710-55382	5	15
160710-78710	5	20
	10	31
	11	13
160762-55150	5	8
160763-12600	3	4
160769-59370	5	25
160769-59371	5	25 -1
160790-04600	3	21
160790-11011	2	1
160790-11100	2	11
160790-11101	2	11 -1
160790-11110	2	13
160790-11111	2	13 -1
160790-28010	4	46
160790-56150	6	32
160790-56151	6	32 -1
160790-56160	6	34
160790-56570	6	2
160790-56600	6	24
160790-56610	6	18
	7	30
160790-66010	8	11
160790-76590	10	12
160790-78500	10	20
160791-77490	9	20
160791-78510	10	30
160791-78522	10	21
		25
	11	5
160791-78750	10	28
160791-78751	10	28 -1
160792-56520	6	6
160792-56530	6	10
160792-56540	6	11
160792-56561	7	26
160792-56610	6	27
160792-56670	6	35
	7	34

PARTS No.	Fig.	Ref.No.
160793-56560	6	15
160793-56561	6	15 -1
160793-78010	10	16
	11	18
160793-78630	10	27
	11	11
160797-56570	6	16
160797-77270	37	20
160798-07100	12	7
160798-22010	4	26
160798-45130	10	41
160798-56040	6	1
160798-56041	6	1 -1
160798-56630	6	31 A
160798-66140	8	20
160798-66250	8	13
160798-66260	8	19
160798-76060	10	1
160798-78620	10	23
	11	12
160802-78270	5	27
160810-01740	1	27
		27 -1
160810-03200	2	28
160810-23201	4	44
160810-56150	3	5 A
	6	33
160810-56151	3	5 A-1
	6	33 -1
160810-56580	6	19
	7	18
160810-56590	7	17
160820-78710	5	31
160880-56760	6	4
160890-01210	2	29
160890-01330	2	30
160890-04320	3	22 -1
160890-04330	2	22 -1
160890-11011	2	2
160890-11100	2	12
160890-11101	2	12 -1
160890-11110	2	14
160890-11111	2	14 -1
160890-11120	2	15
160890-11180	2	16
160890-11190	2	16 -1
160890-11202	2	17
160890-11270	2	19
160890-11290	2	21
160890-11300	2	23

PARTS No. INDEX

PARTS No.	Fig.	Ref.No.
160890-11310	2	24
160890-11311	2	24 -1
160890-13210	3	9
160890-13501	3	11
160890-13580	3	11 -1
160890-13581	3	11 -2
160890-13660	3	14
160890-13710	3	24
160890-13910	3	19
160890-13920	3	25
160890-13921	3	25 -1
160890-13922	3	25 -2
160890-14051	4	1
160890-14200	4	11
160890-14400	4	13
160890-14560	4	9
160890-21200	4	20
160890-21220	4	21
		45
160890-22011	4	27
160890-22300	4	38
160890-28010	4	47
160890-45200	10	42
160890-45210	11	27
160890-45230	11	30
160890-45240	11	27 -1
160890-56160	7	32
160890-56430	6	23
	7	12
160890-56520	7	16
160890-56620	6	14
	7	13
160890-56790	7	34 -1
160890-66010	8	12
160890-66050	8	9
160890-66190	8	29
160890-76510	10	3
	11	35
160890-76520	10	4
	11	36
160890-76530	10	5
	11	37
160890-76540	10	6
	11	38
160890-76550	10	7
	11	39
160890-76570	10	9
	11	41
160890-76580	10	10
160890-76590	11	44

PARTS No.	Fig.	Ref.No.
160890-78560	11	7
160891-12500	3	1
160891-12520	3	2
160891-12530	3	3
160891-13540	3	13
160891-13610	3	10
160891-13611	3	10 -1
160891-13612	3	10 -2
160891-45120	11	26
160891-45121	11	26 -1
160891-45230	10	43
	11	24
160891-56021	7	1
160891-56680	7	5
160891-56900	6	36
	7	33
160891-76050	11	33
160891-76250	10	2
	11	34
160891-76580	11	42
160891-77020	9	1
160891-77750	9	11
160891-77760	9	12
160891-78170	10	29
	11	10
160891-78171	10	29 -1
	11	10 -1
160891-78200	10	33
160903-28020	1	18
		25
160903-55390	5	18
160903-56670	6	5
160910-56150	3	5
	7	31
160910-56151	3	5 -1
	7	31 -1
160920-59350	5	24
160920-59351	5	24 -1
160991-03180	2	27
160991-07260	12	10
160991-55300	5	9
160992-56520	7	3
160992-56540	7	6
160992-56550	7	8
160998-55390	5	18 -1
160998-56381	7	14
160998-78400	10	25 -1
	11	5 -1
160998-78510	11	9
160998-78760	11	8

PARTS No.	Fig.	Ref.No.
160998-78761	11	8 -1
181230-56380	6	7
		12
		29
	7	24
		28
183210-08850	3	23
194065-27270	47	27
194856-24920	47	15
194856-24970	47	16
198255-83500	20	4
	22	4
1A1140-58050	13	31
	28	7
1C1011-45020	21	18
1C6320-24440	17	15
	30	13
		13 -1
		13 -2
	35	4
	39	11 -1
1C6320-64680	23	6
1C6560-47000	30	11
1C6560-66510	29	10
1C6560-92610	27	2
1E1061-86610	44	2
1E3021-91250	44	14
1E3021-91260	44	15
1E4760-43090	24	7
		8
1E5100-51430	25	8
1E6102-84960	37	2
1E6102-84970	37	3
	38	4
1E6336-85450	47	4
1E6336-85470	47	5
1E6460-67200	30	6
1E6680-64240	23	5
1E6690-82070	37	21
1E6740-64200	24	9
1E6910-82500	37	22
1E7320-42130	30	5
1E8060-64750	23	7
1F1210-91080	44	20
1J3000-20020	35	3
1J3610-21500	30	12
1J3940-14250	43	1
1J3999-02010	13	7
	27	8
	40	21

PARTS No.	Fig.	Ref.No.
1J3999-02010	41	16
1J3999-02020	35	1 -1
		1 -2
1J3999-02050	35	1
		2
	43	1 -1
1J3999-02170	13	23
1J3999-06000	21	10
1J3999-07000	28	20
	29	21
1N1570-32950	24	6
1N1570-38000	35	5
1N1570-38010	35	7
1N1570-38030	35	30
1N1570-38090	35	8
1N1570-38130	35	10
1N1570-38200	40	1
1N1570-51130	13	24
	23	17
1N1570-73260	29	11
1N1710-12241	14	6
	15	4
1N1710-71060	39	2
1N1710-71062	39	2 -1
1N1710-71062-1	39	23
1N1710-71071	39	3
1N1710-71072	39	3 -1
1N1711-13201	17	14
1N1711-32790	29	1
1N1711-35520	29	9
1N1711-51770	37	8
1N1711-51850	38	2
1N1711-51860	38	3
1N1711-68220	44	1
1N1711-73140	41	17
1N1711-73170	41	18
		18 -1
		18 -2
1N1711-73200	41	19
1N1711-73240	41	14
1N1711-73280	41	5
1N1711-73320	41	23
1N1711-73330	41	24
1N1711-73700	41	8
1N1713-31010	21	1
	22	11
1N1713-92570	44	11
1N1720-82221	40	9 -1
1N1721-51191	36	3
1N1723-00061	13	1

PARTS No. INDEX

PARTS No.	Fig.	Ref.No.
1N1723-00330	13	4
1N1723-00331	13	4 -1
1N1723-00350	13	5
1N1723-32350	23	4
1N1723-34100	29	2
		2 -2
		2 -3
1N1723-34160	28	4
1N1723-51561	36	8
1N1723-73250	41	4
		4 -1
1N1723-73400	41	25
1N1723-92550	44	10
1N1723-92631	44	17
1N1723-92670	45	4
1N1723-92680	45	5
1N1723-92690	45	6
1N1960-38000	35	29
1N1960-71551	40	2 -1
1N1960-71551-1	40	29 -1
1N1960-73502	41	7
1N3020-71300	40	14 -1
1N3020-71301	40	14 -2
1N3020-71320	40	20 -3
1N3021-00100	13	2
1N3021-00200	13	36
1N3021-00250	13	34
1N3021-00300	13	3
1N3021-00301	13	3 -1
1N3021-00400	13	15
1N3021-00401	13	15 -1
1N3021-00460	13	6
1N3021-01000	13	16
1N3021-01001	13	16 -1
1N3021-02100	13	21
1N3021-02150	13	22
1N3021-11000	15	1
1N3021-11100	14	1
1N3021-11101	14	1 -1
1N3021-11150	14	2
1N3021-11200	14	3
1N3021-11240	14	4
	15	2
1N3021-11250	15	3
1N3021-11251	15	3 -1
1N3021-11260	14	5
1N3021-11300	16	1
1N3021-11301	16	1 -1
1N3021-11350	16	2
1N3021-11351	16	2 -1

PARTS No.	Fig.	Ref.No.
1N3021-11400	16	3
1N3021-12000	17	1
1N3021-12010	17	11
1N3021-12020	17	5
1N3021-12050	17	12
1N3021-12100	17	2
1N3021-12150	17	3
1N3021-12200	17	13
1N3021-12201	17	13 -1
1N3021-12300	17	6
1N3021-22050	47	1
1N3021-22100	47	2
1N3021-22150	47	3
1N3021-23040	47	10 A
1N3021-23050	47	11
1N3021-23051	47	11 -1
1N3021-23060	47	12
1N3021-23070	47	13
1N3021-23100	47	14
1N3021-26050	47	26
1N3021-30000	18	1
1N3021-30100	18	2
1N3021-30101	18	2 -1
1N3021-30102	18	2 -2
1N3021-30102-1	18	10
1N3021-30200	18	3
1N3021-30200-1	18	11
1N3021-30300	19	1
1N3021-30550	19	5 -1
1N3021-30650	19	3
1N3021-31000	20	1
1N3021-31001	20	1 -1
1N3021-31080	21	1 -1
1N3021-31090	21	2
	22	12
1N3021-31100	20	2
1N3021-31200	20	3
1N3021-31250	21	3
1N3021-31251	21	3 -1
1N3021-31350	21	11
1N3021-31351	21	11 -1
1N3021-31400	21	12
1N3021-31450	21	13
1N3021-31451	21	13 -1
1N3021-31480	21	14
1N3021-31500	21	15
1N3021-31550	21	16
1N3021-31580	21	17
1N3021-31600	21	4
1N3021-31601	21	4 -1

PARTS No.	Fig.	Ref.No.
1N3021-31630	22	13
1N3021-31631	22	13 -1
1N3021-31650	21	5
	22	14
1N3021-31651	21	5 -3
	22	14 -1
1N3021-31670	21	5 -1
1N3021-31671	21	5 -2
1N3021-31700	22	1
1N3021-31750	22	2
1N3021-31800	22	3
1N3021-31850	22	15
1N3021-32000	23	1
1N3021-32020	23	2
1N3021-32050	23	3
1N3021-32051	23	3 -1
1N3021-32052	23	3 -2
1N3021-32100	23	15
1N3021-32150	24	1
1N3021-32200	24	2
1N3021-32201	24	2 -1
1N3021-32250	24	3
1N3021-32350	24	4
1N3021-32380	24	5
1N3021-32381	24	5 -1
1N3021-33000	25	1
1N3021-33001	25	1 -1
1N3021-33100	25	2
1N3021-33150	25	3
1N3021-33160	25	4
1N3021-33170	25	5
1N3021-33180	25	6
1N3021-33200	25	7
1N3021-33400	26	1
1N3021-33480	26	2
1N3021-33600	27	1
1N3021-33601	27	1 -1
1N3021-34000	28	1
1N3021-34010	28	2
1N3021-34011	28	2 -1
1N3021-34050	28	3
1N3021-34200	28	5
1N3021-34201	28	5 -1
1N3021-34202	28	5 -2
1N3021-34240	28	6
1N3021-34250	28	15
1N3021-34350	29	3
1N3021-34390	29	19
1N3021-34400	29	4
1N3021-34450	29	5

PARTS No.	Fig.	Ref.No.
1N3021-34500	29	6
1N3021-34501	29	6 -1
1N3021-34501-1	29	27
1N3021-34550	29	7
1N3021-34551	29	7 -1
1N3021-34551-1	29	28
1N3021-34600	29	8
1N3021-34601	29	8 -1
1N3021-34650	29	22
1N3021-34651	29	22 -1
1N3021-34700	29	23
1N3021-34710	29	24
1N3021-34720	29	25
1N3021-34730	29	26
1N3021-35000	30	1
1N3021-35050	30	2
1N3021-35080	30	3
1N3021-35081	30	3 -1
1N3021-35100	30	4
1N3021-35101	30	4 -1
1N3021-35150	30	14
1N3021-35151	30	14 -1
1N3021-35170	30	15
1N3021-35171	30	15 -1
1N3021-35200	30	16
1N3021-35210	30	27
1N3021-35230	30	17
1N3021-35250	31	1
1N3021-35251	31	1 -1
1N3021-35290	30	28
1N3021-35300	31	2
1N3021-35350	31	3
1N3021-35370	31	12
		12 -1
1N3021-35400	31	4
1N3021-35450	31	5
1N3021-35500	31	17
1N3021-35550	31	18
1N3021-36000	32	1
1N3021-36001	32	1 -1
1N3021-36002	32	1 -2
1N3021-36003	32	1 -3
1N3021-36050	32	2
1N3021-36051	32	2 -1
1N3021-36052	32	2 -2
1N3021-36100	32	3
1N3021-36130	32	8
1N3021-36150	32	4
1N3021-36151	32	4 -1
1N3021-36200	33	1

PARTS No. INDEX

PARTS No.	Fig.	Ref.No.
1N3021-36201	33	1 -1
1N3021-36400	32	9
1N3021-36401	32	9 -1
1N3021-37150	34	3
1N3021-37250	34	4
1N3021-37400	34	8
1N3021-37450	34	9
1N3021-38000	35	6
1N3021-38100	35	9
1N3021-38101	35	9 -1
	46	12
1N3021-38150	35	25
1N3021-38170	35	26
1N3021-38200	35	11
1N3021-38250	35	12
1N3021-38300	35	13
1N3021-38400	35	27
1N3021-38500	35	5 -1
1N3021-38600	35	7 -1
1N3021-51050	36	1
1N3021-51100	36	2
1N3021-51100-1	36	17
1N3021-51200	36	4
1N3021-51200-1	36	18
1N3021-51300	36	5
1N3021-51301	36	5 -1
1N3021-51350	36	6
1N3021-51360	36	7
1N3021-51400	37	1
1N3021-51401	37	1 -1
1N3021-51450	38	1
1N3021-51500	37	4
1N3021-51501	37	4 -1
1N3021-51550	37	5
1N3021-51560	37	6
1N3021-51650	37	24
1N3021-51660	37	25
1N3021-52000	37	15
1N3021-52010	37	17
1N3021-52020	37	18
1N3021-52140	37	14
1N3021-52300	37	19
1N3021-52400	37	9
1N3021-71000	39	1
1N3021-71001	39	1 -1
1N3021-71002	39	1 -2
1N3021-71002-1	39	22
1N3021-71200	40	2
1N3021-71200-1	40	29
1N3021-71250	39	4

PARTS No.	Fig.	Ref.No.
1N3021-71260	39	5
1N3021-71300	40	9
1N3021-71400	39	6
1N3021-71420	39	20
1N3021-71450	39	7
1N3021-71490	39	8
1N3021-71500	40	11
1N3021-71550	40	11 -1
1N3021-71600	40	14
1N3021-71700	40	15
1N3021-71750	40	24
1N3021-71800	40	25
1N3021-73100	41	1
1N3021-73150	41	2
1N3021-73200	41	3
1N3021-73201	41	3 -1
1N3021-73240	41	4 -2
1N3021-73250	41	15
1N3021-73300	41	20
1N3021-73350	41	25 -1
1N3021-73400	41	21
1N3021-74000	42	1
1N3021-74010	42	2
1N3021-74020	42	3
1N3021-74030	42	9
1N3021-74040	42	16
1N3021-74050	42	10
1N3021-74060	42	17
1N3021-74061	42	17 -1
1N3021-74080	42	11
1N3021-74130	42	7
1N3021-74200	42	24
1N3021-75000	43	2
1N3021-75001	43	2 -1
1N3021-75002	43	2 -2
1N3021-75200	43	3
1N3021-75201	43	3 -1
1N3021-75250	43	4
1N3021-75251	43	4 -1
1N3021-75252	43	4 -2
1N3021-75400	43	5
1N3021-76000	43	14
1N3021-91020	44	3
1N3021-91030	44	4
1N3021-91050	44	5
1N3021-91060	44	12
1N3021-91070	44	6
1N3021-91080	44	7
1N3021-91090	44	16
1N3021-91100	44	8

PARTS No.	Fig.	Ref.No.
1N3021-91110	44	9
1N3021-91510	44	22
1N3021-91520	44	23
1N3021-91530	44	24
1N3021-91600	44	24 -1
1N3021-95100	46	1
1N3021-95200	46	2
1N3021-95250	46	3
1N3021-95300	46	4
1N3021-96100	46	8
1N3260-73250	29	2 -1
		11 -1
1N3269-71000	39	17
1N3269-71001	39	17 -1
1N3269-71002	39	17 -2
1N3269-71500	40	13
1N3269-71550	40	13 -1
1N3269-71600	40	16
1N3269-71700	40	17
1N3269-74060	42	23
1N3269-74061	42	23 -1
1N3269-75000	43	12
1N3269-75001	43	12 -1
1N3269-75002	43	12 -2
1N3269-75250	43	13
1N3269-75251	43	13 -1
1N3269-75252	43	13 -2
1N3269-91020	44	18
1N3269-91030	44	19
1N3269-91060	44	12 -1
		13
1N3269-91100	44	13 -1
1N3300-71300	40	16 -1
1N3300-71301	40	16 -2
1N3300-71320	40	23 -1
1N3300-91200	44	10 -1
1N3300-91300	44	21
1N3331-34050	23	5 -1
1S6000-61220	19	4
1S6480-61130	30	17 -1
1S6487-06600	13	38
1W4909-92310	45	1
1W4909-92350	45	2
1W4909-92360	45	3
720380-11570	2	31
760790-21700	4	14
760790-23700	4	40
760792-01503	1	19
760792-01504	1	19 -1
760798-01561	1	2

PARTS No.	Fig.	Ref.No.
760798-01580	1	1
760798-22500	4	30
760890-01560	1	3
760890-01561	1	3 -1
760890-21700	4	15
760890-22500	4	31
760890-23700	4	41
760890-55711	5	2
760891-01560	1	4
760891-01561	1	4 -1
7N3020-71560	40	3 -1
7N3020-71560-1	40	30 -1
7N3021-30500	19	2
7N3021-30600	19	9
7N3021-37000	34	1
7N3021-37001	34	1 -1
7N3021-37002	34	1 -2
7N3021-71210	40	3
7N3021-73000	41	6
7N3021-73001	41	6 -1
7N3021-73002	41	6 -2
7N3269-71350	40	10
7N3300-82240	40	10 -1
X2114274200	9	18
X2114715500	9	4
X2114811000	9	3



YANMAR CO., LTD.